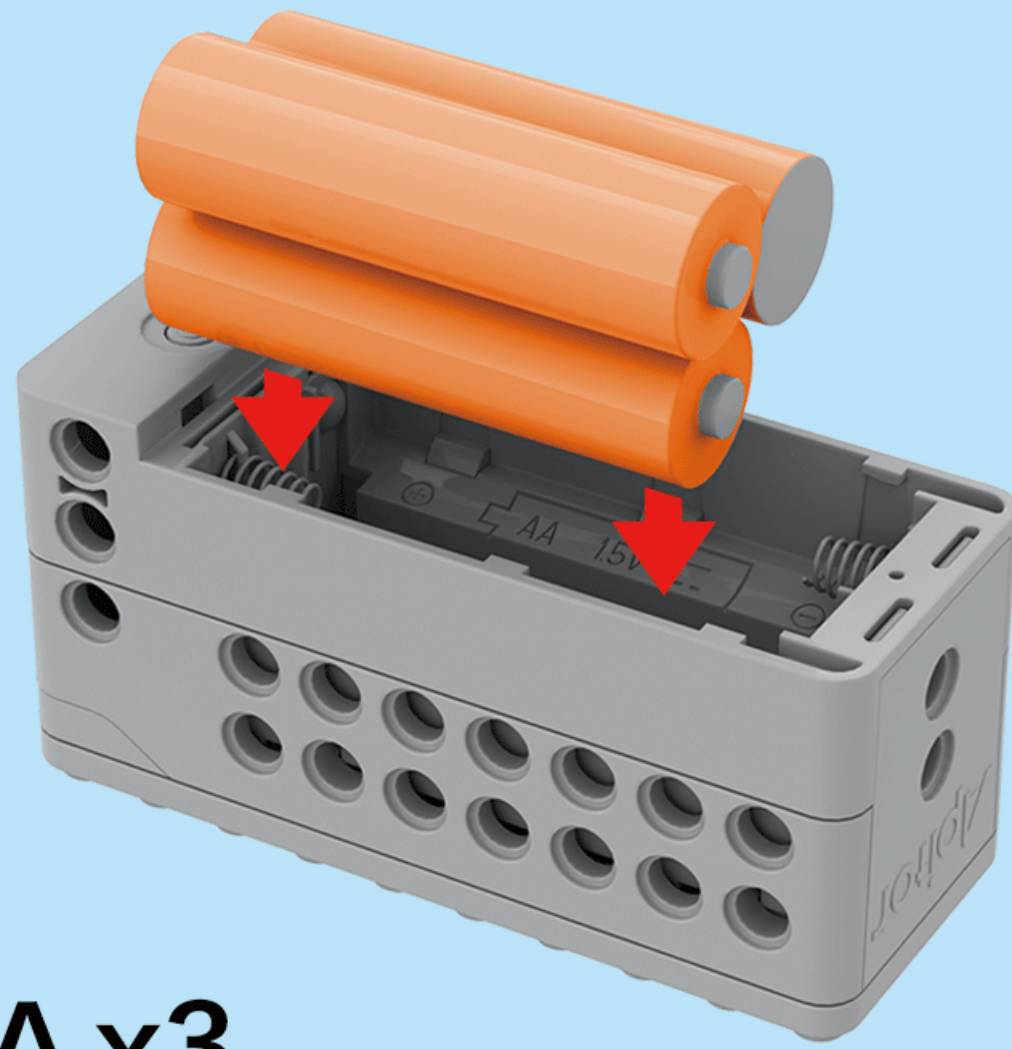
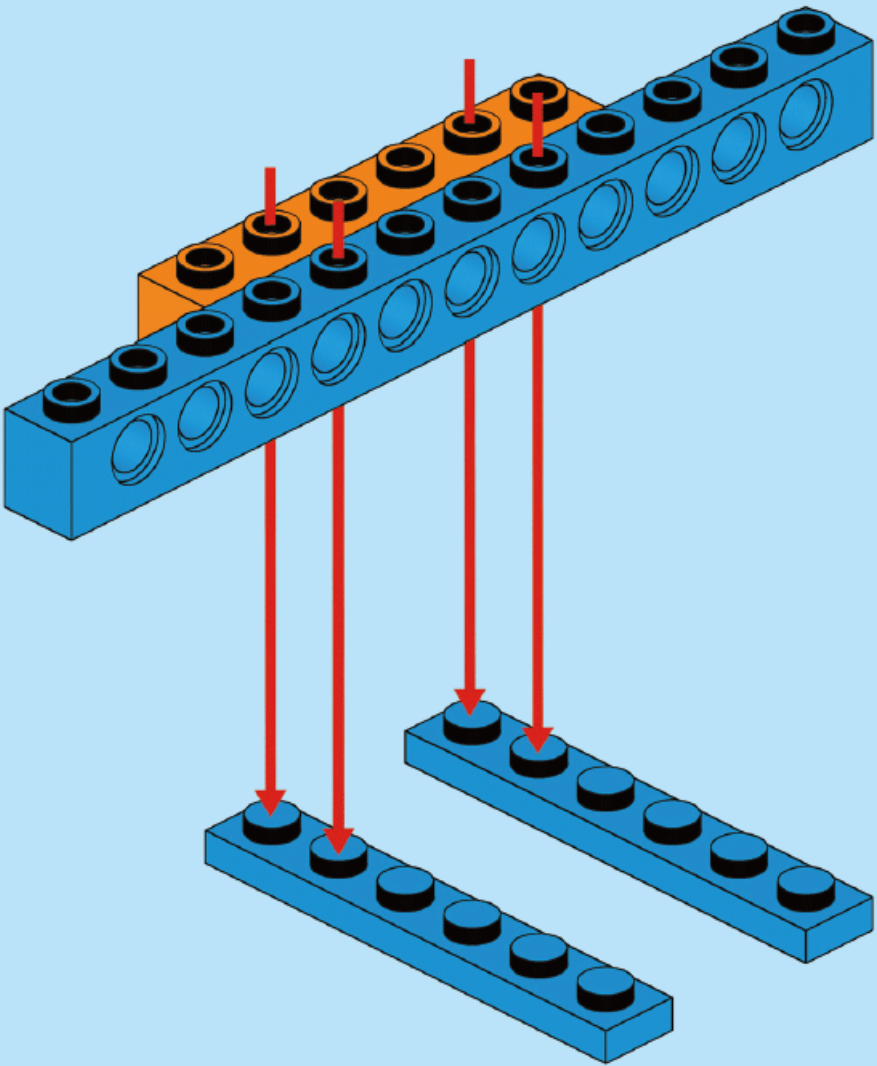
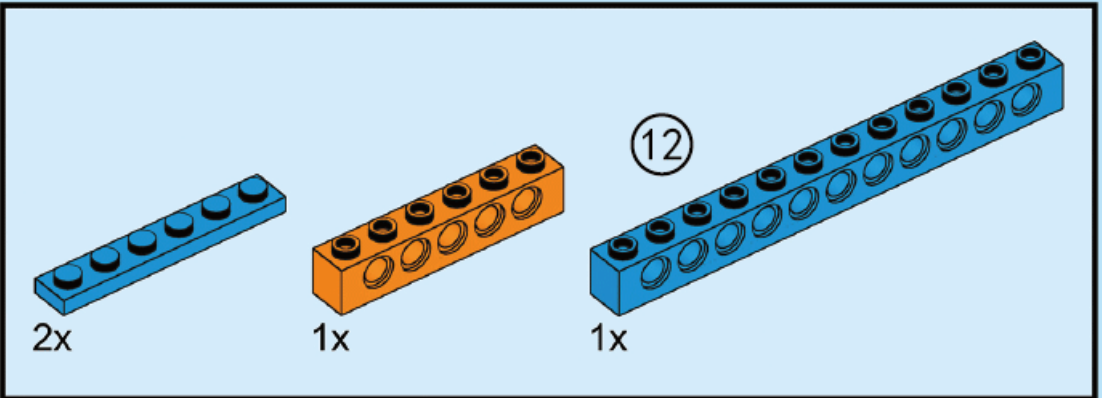


0

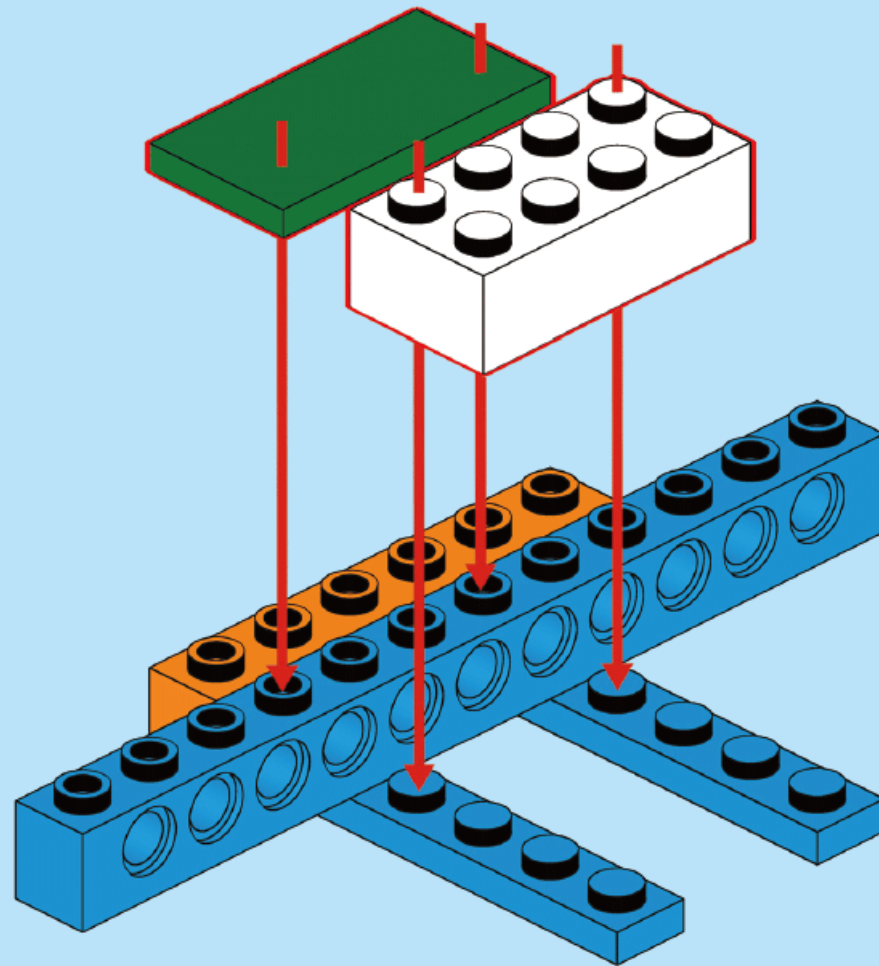
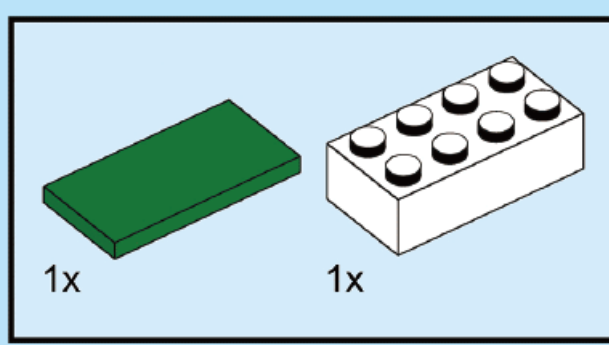


**AA x3**

# 1

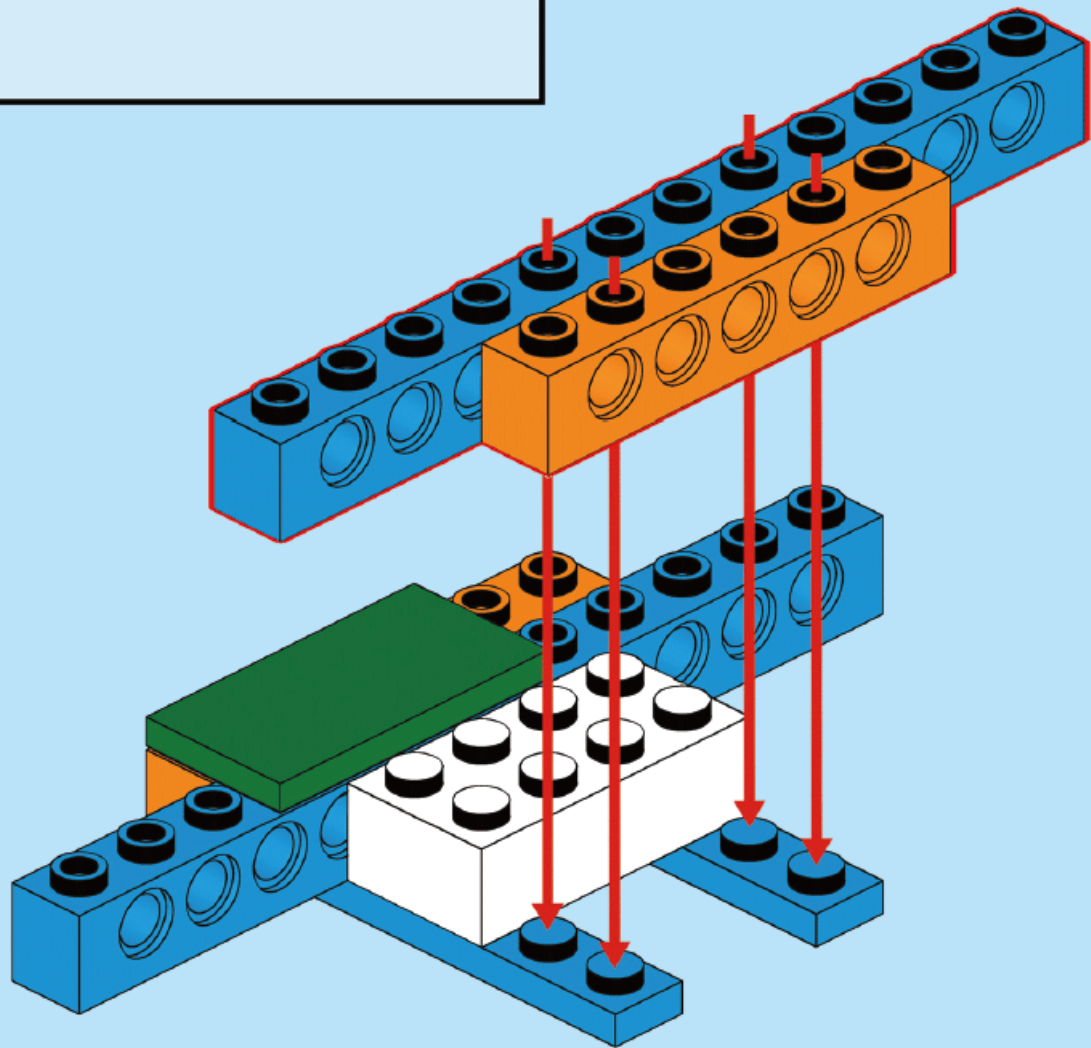
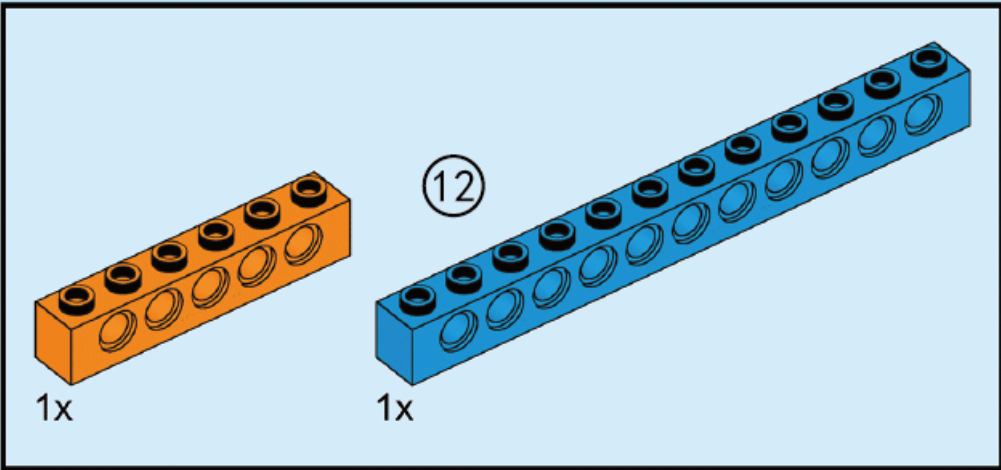


# 2

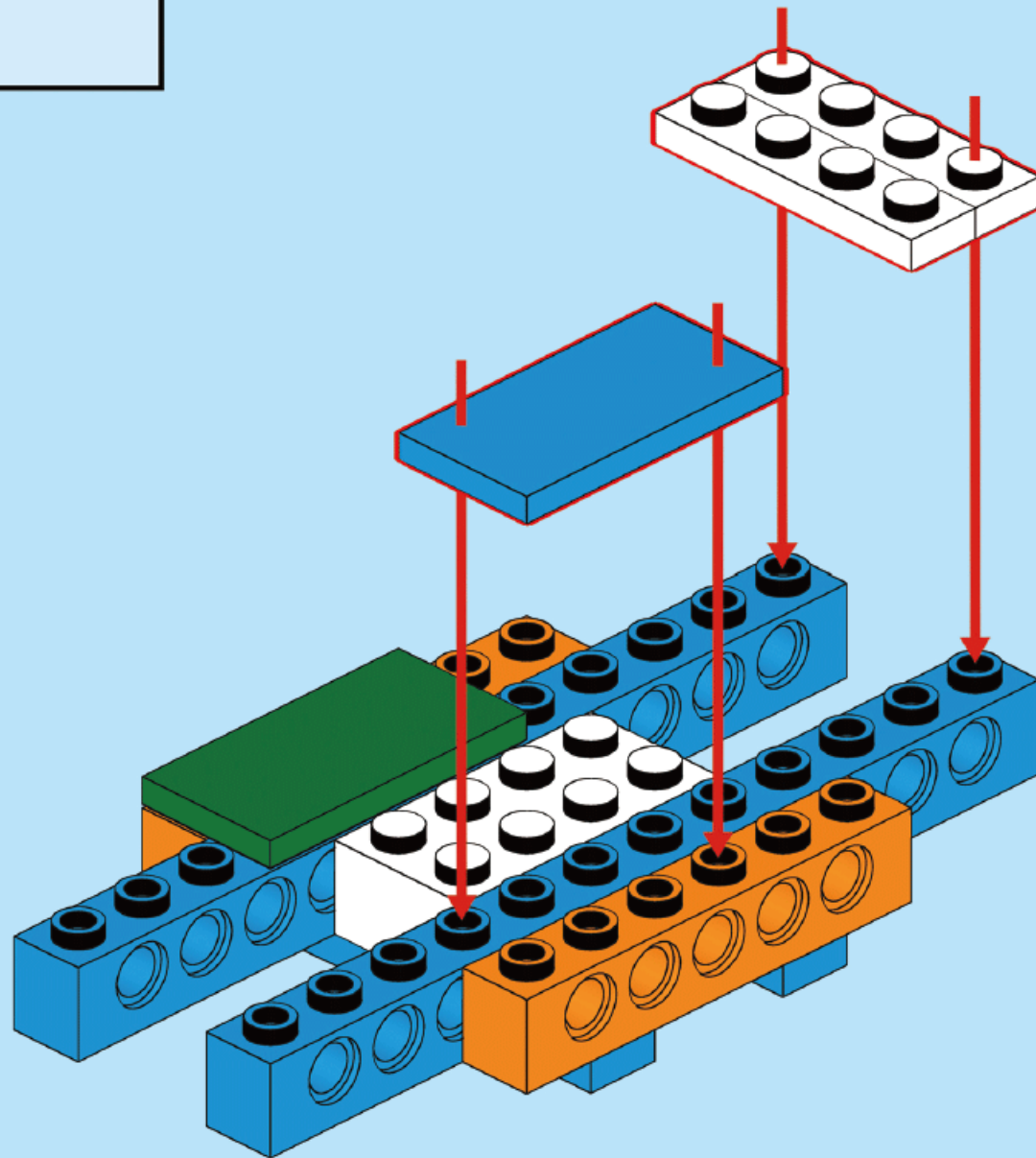
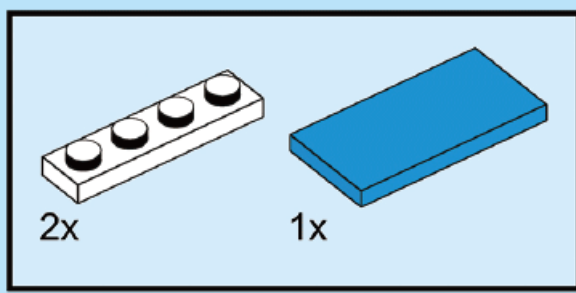




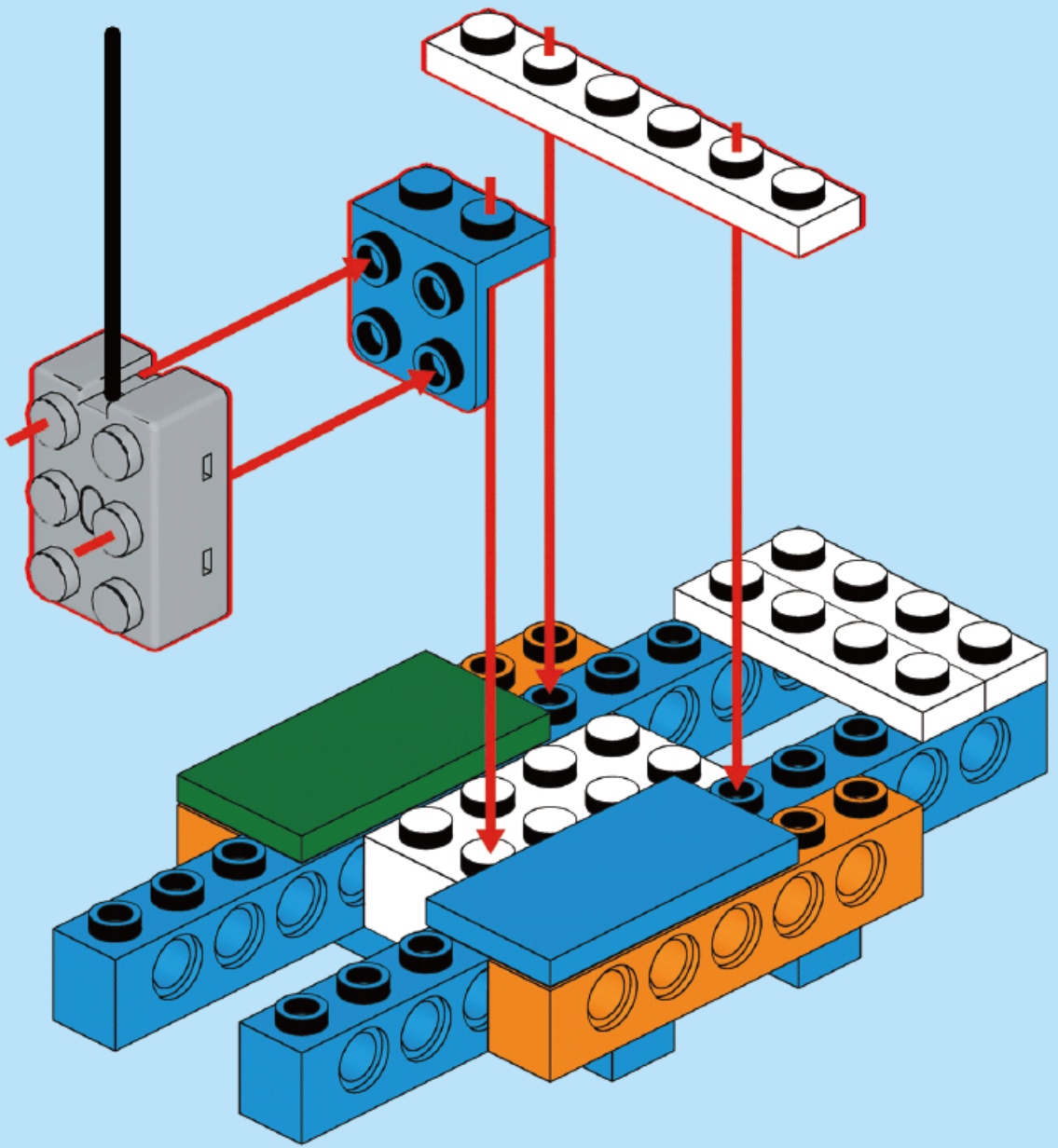
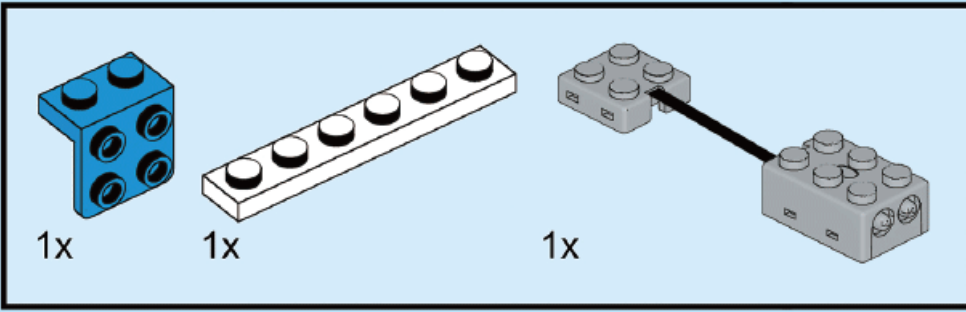
# 3



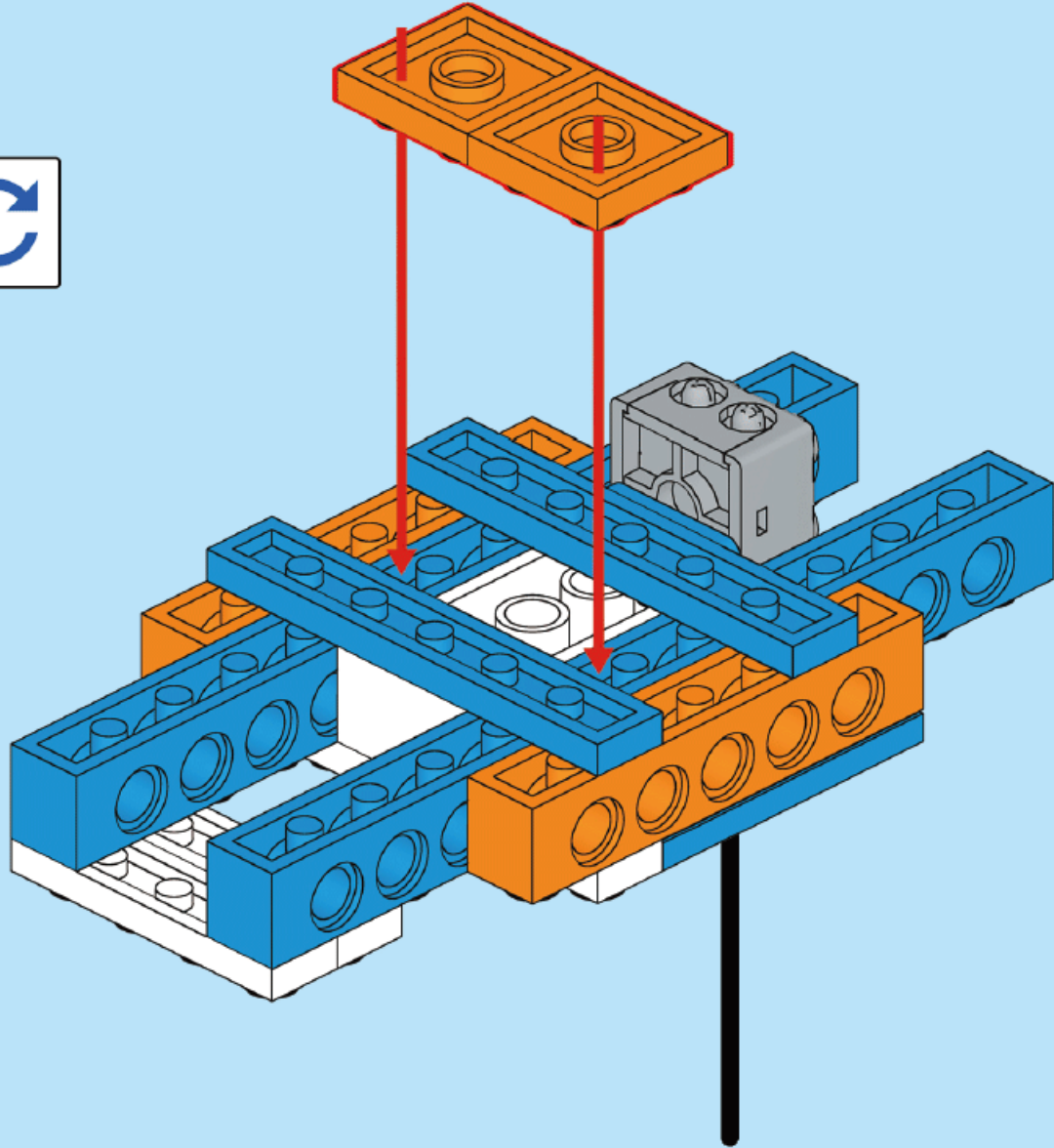
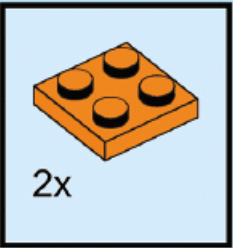
# 4



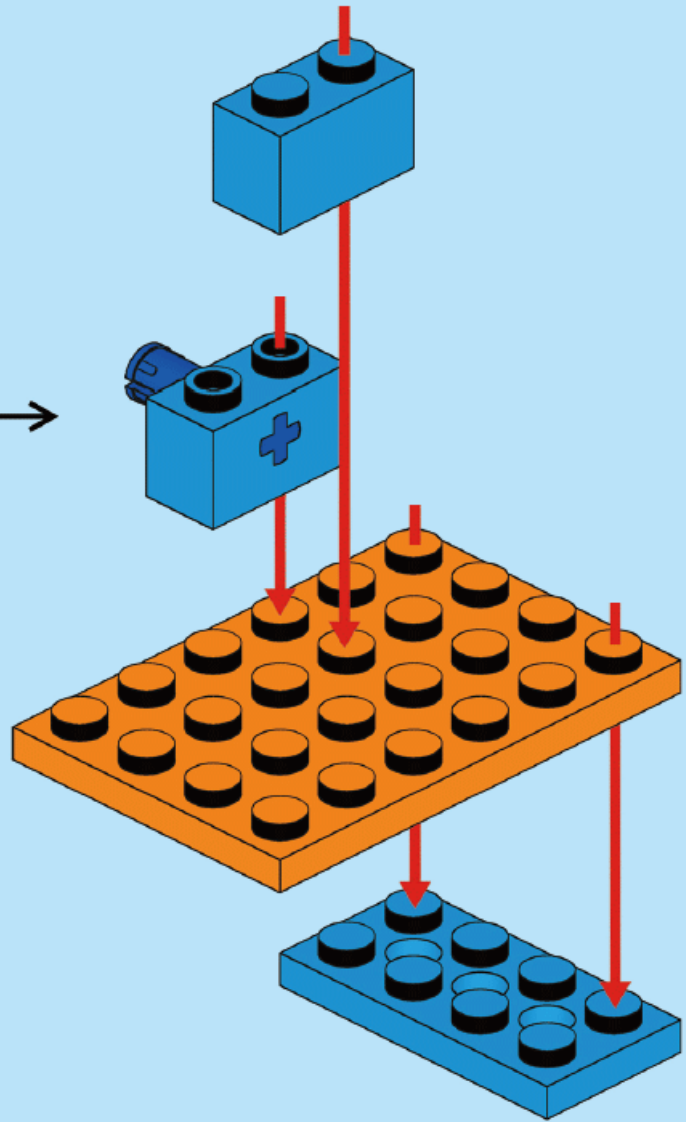
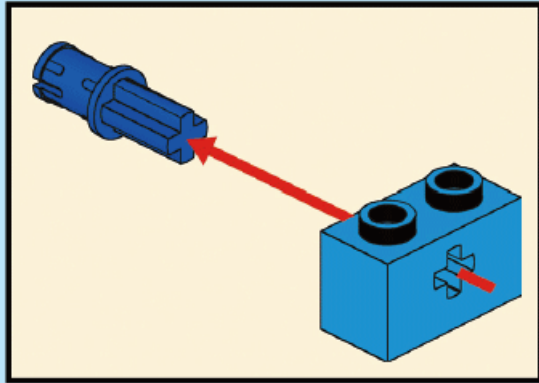
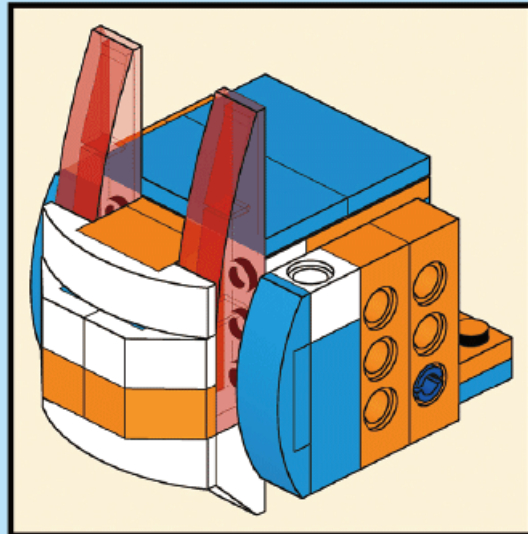
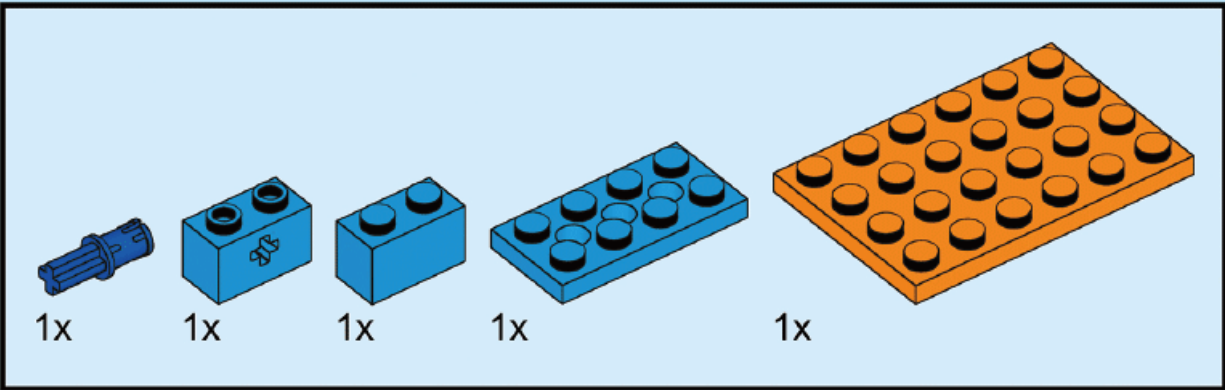
# 5



6

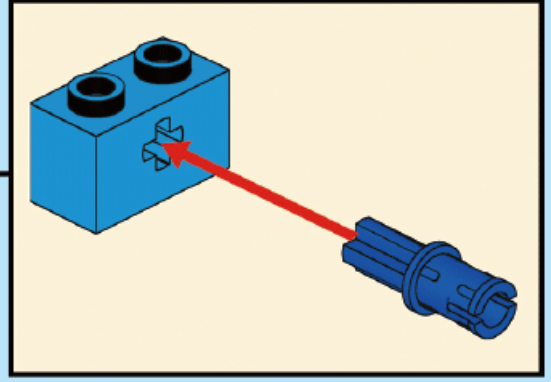
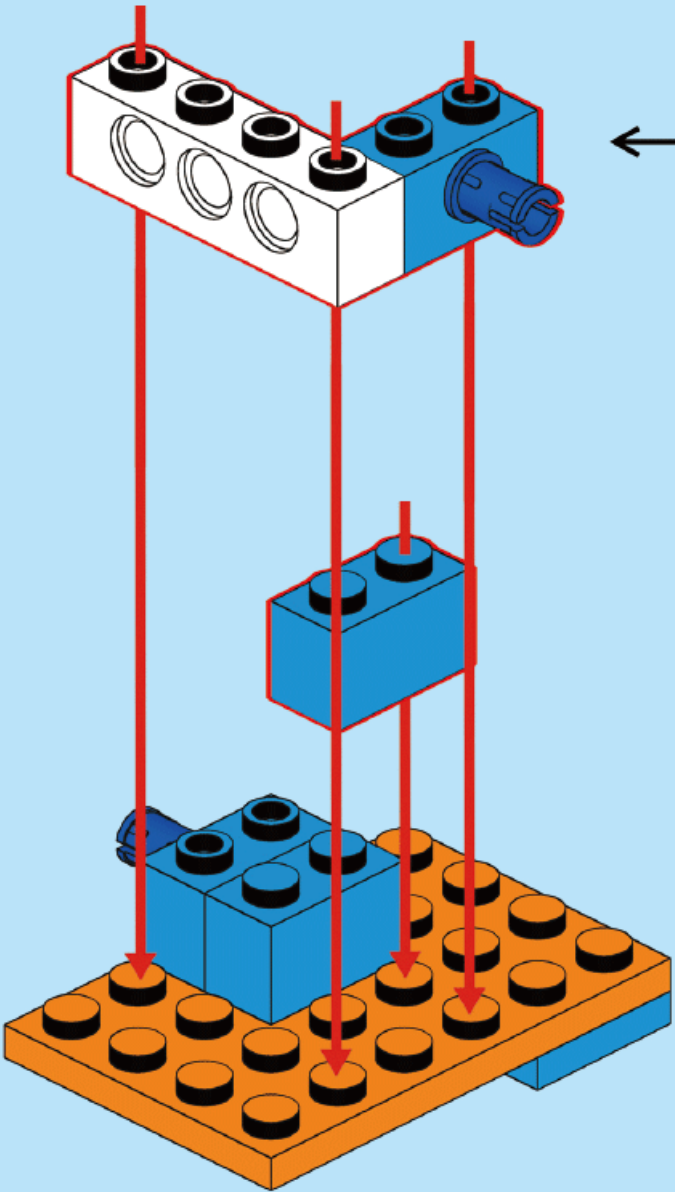
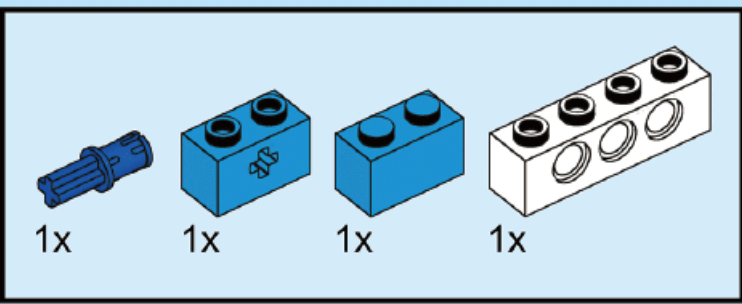


# 7

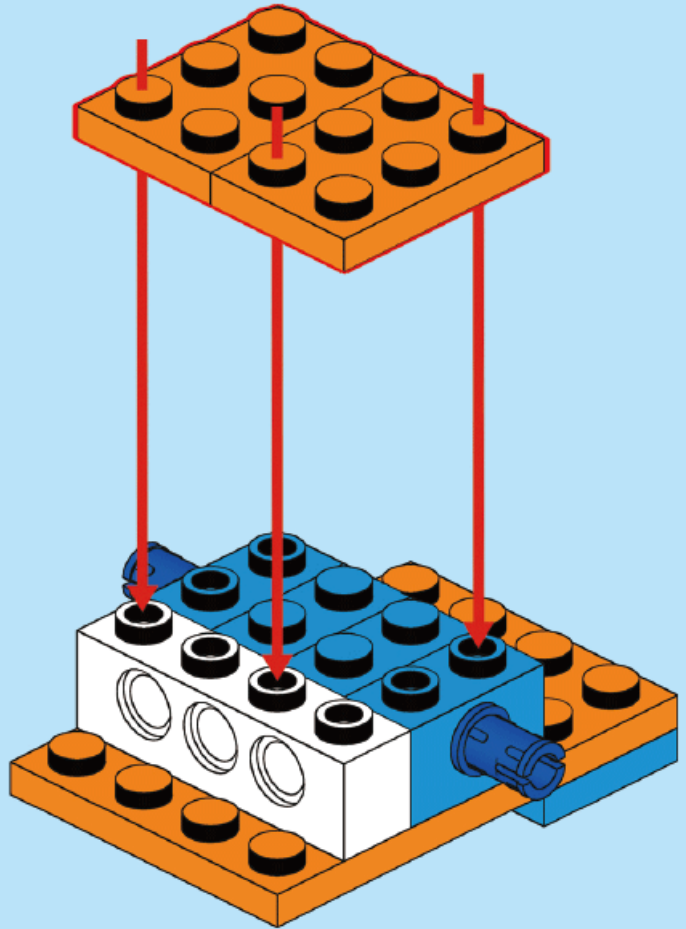
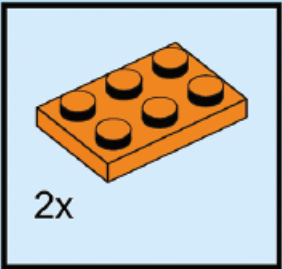




8

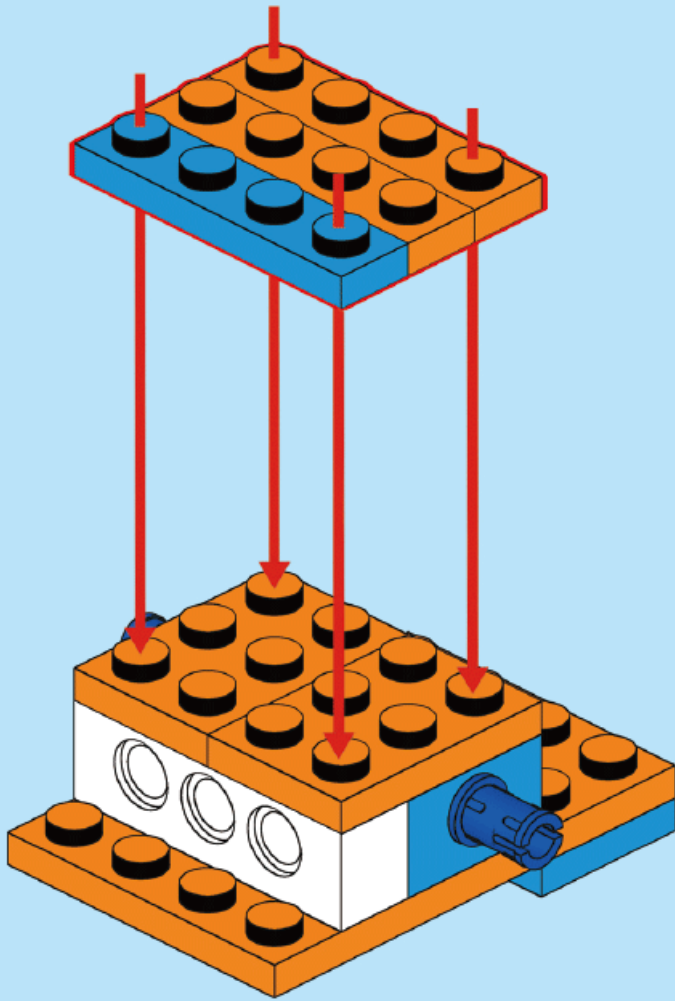
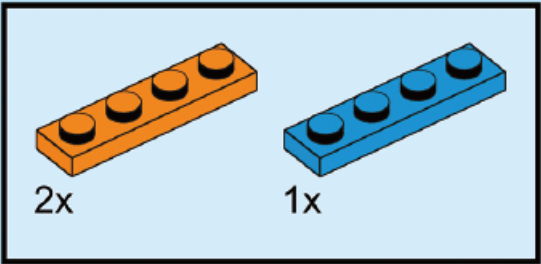


9

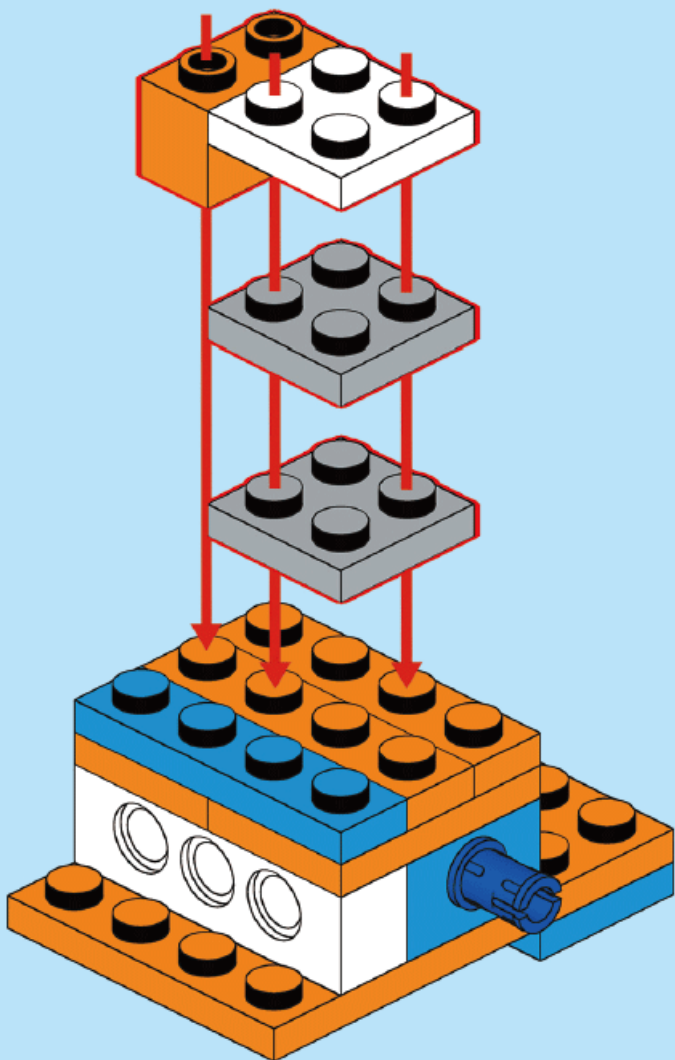
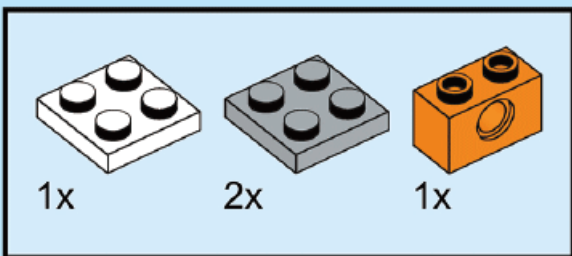




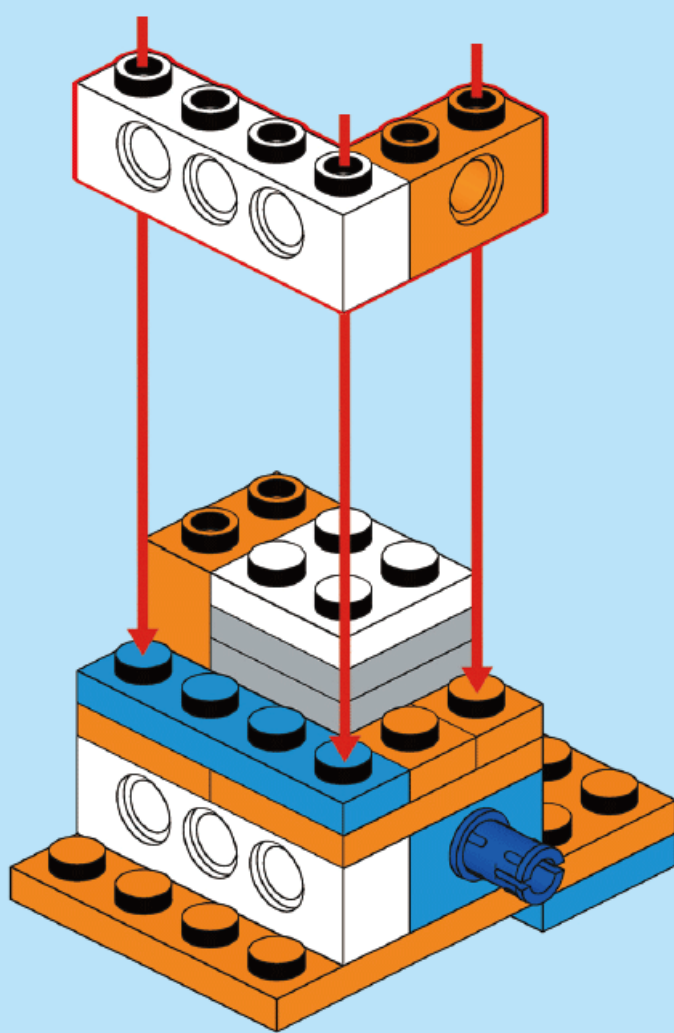
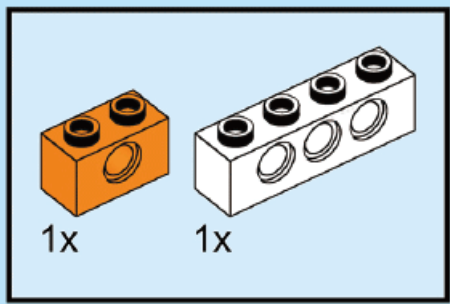
# 10



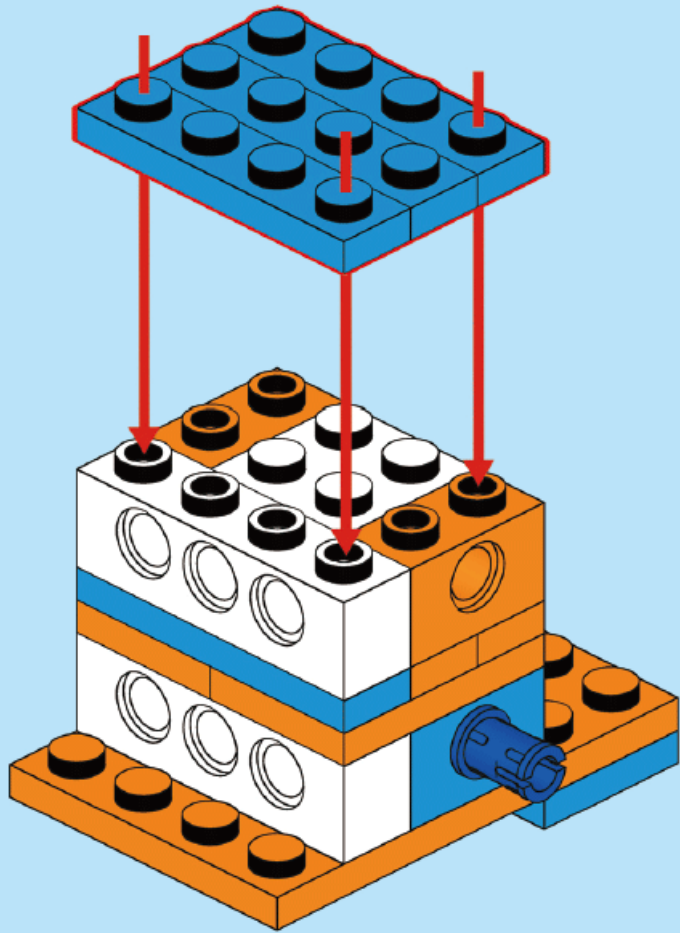
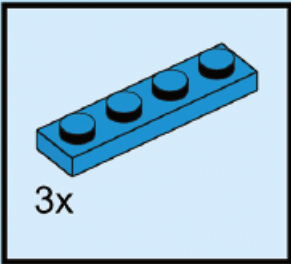
# 11



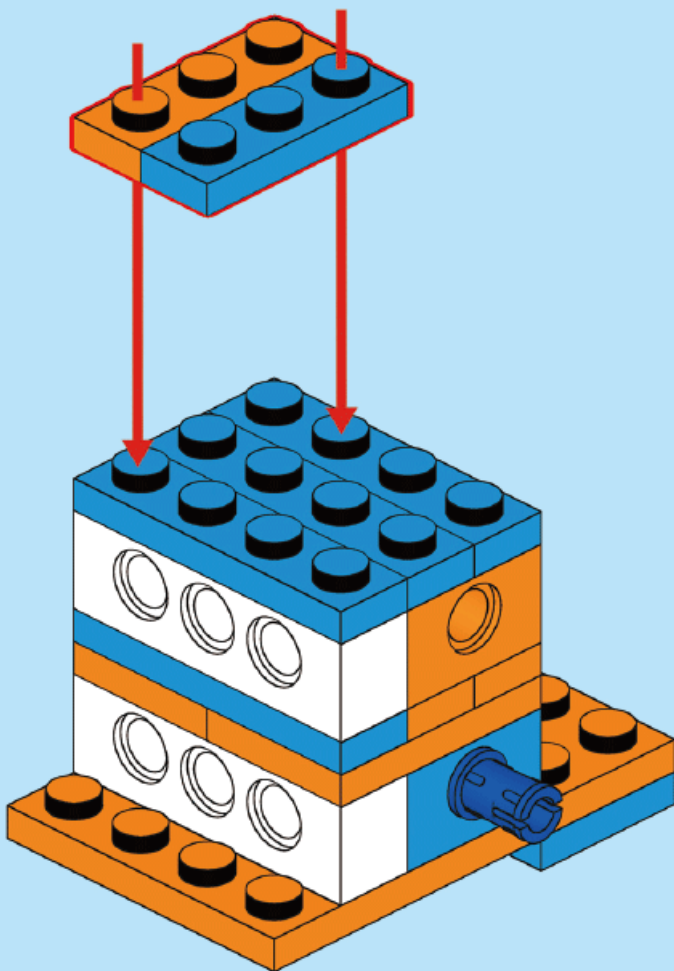
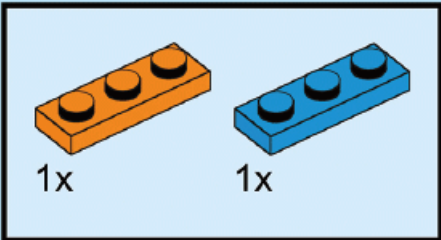
# 12



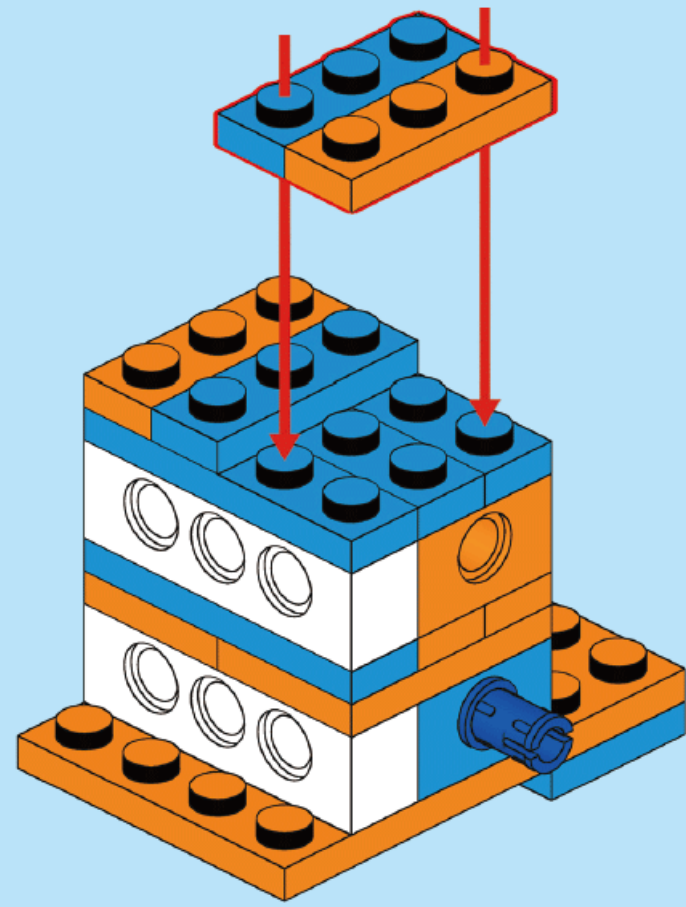
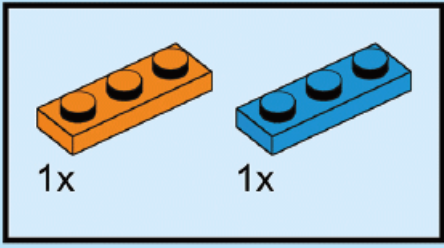
# 13



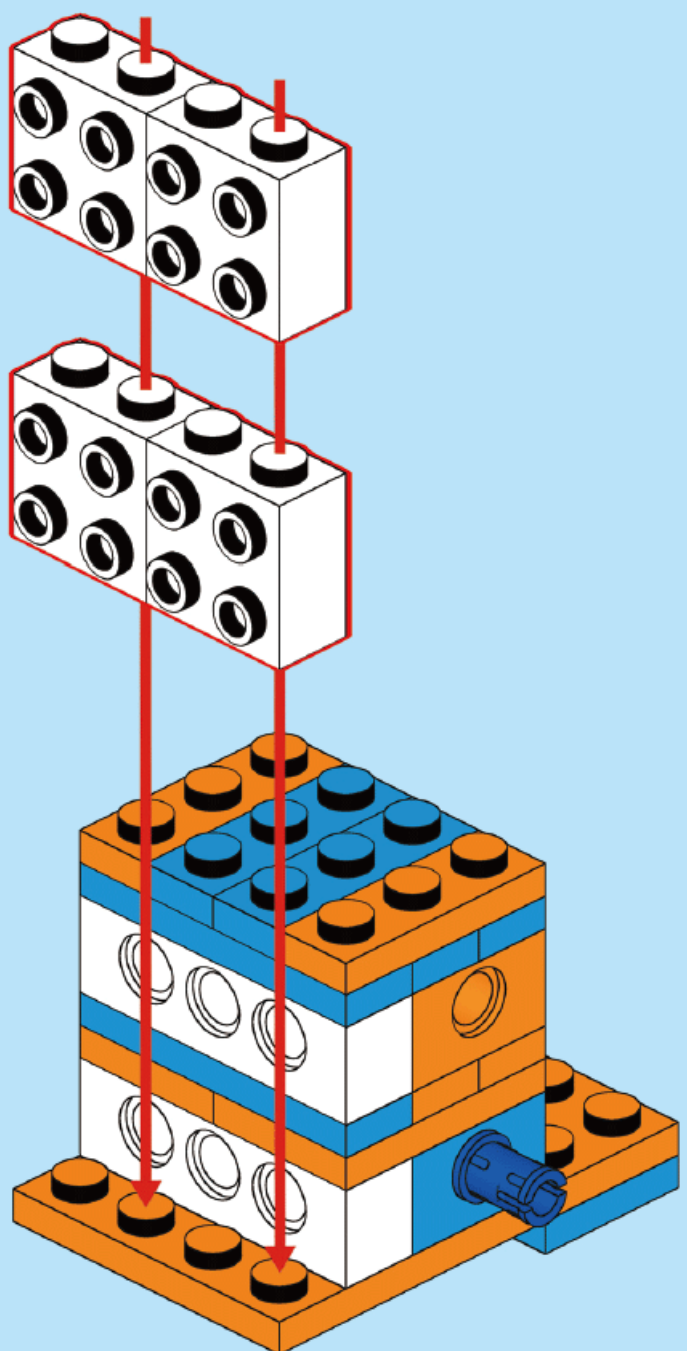
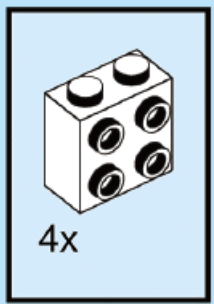
# 14



# 15

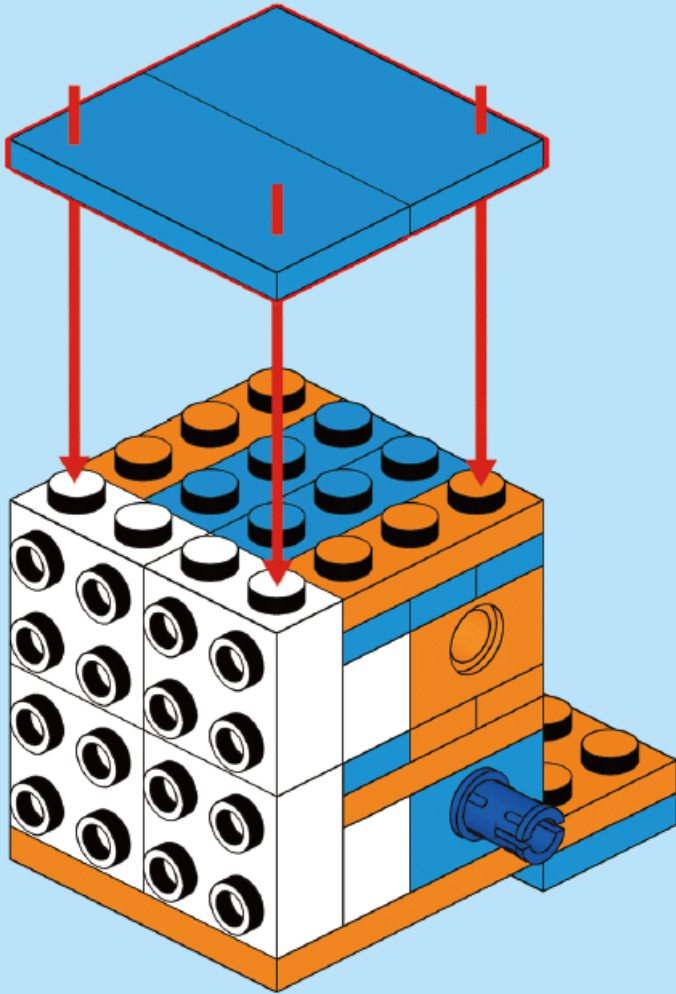
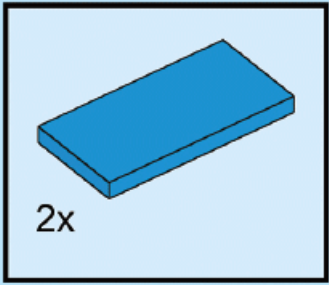


# 16

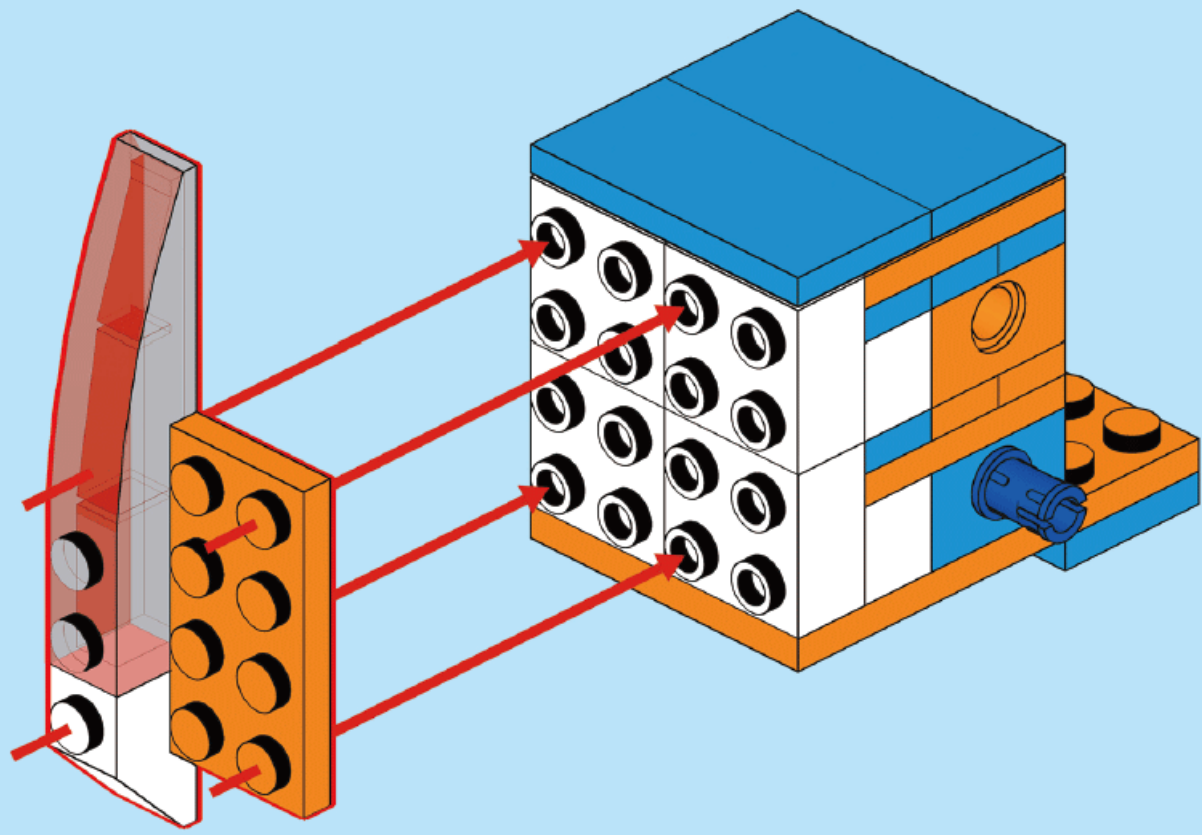
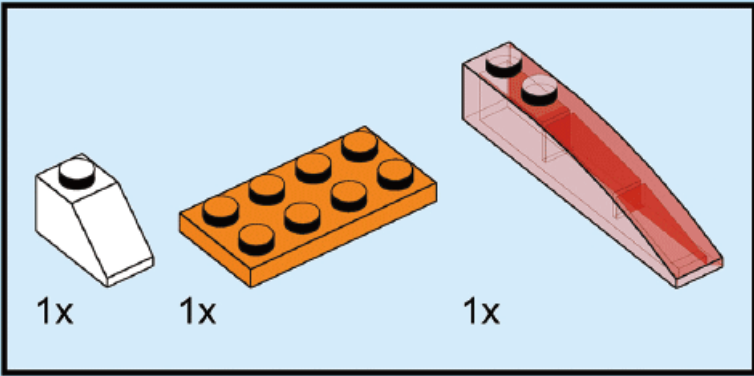




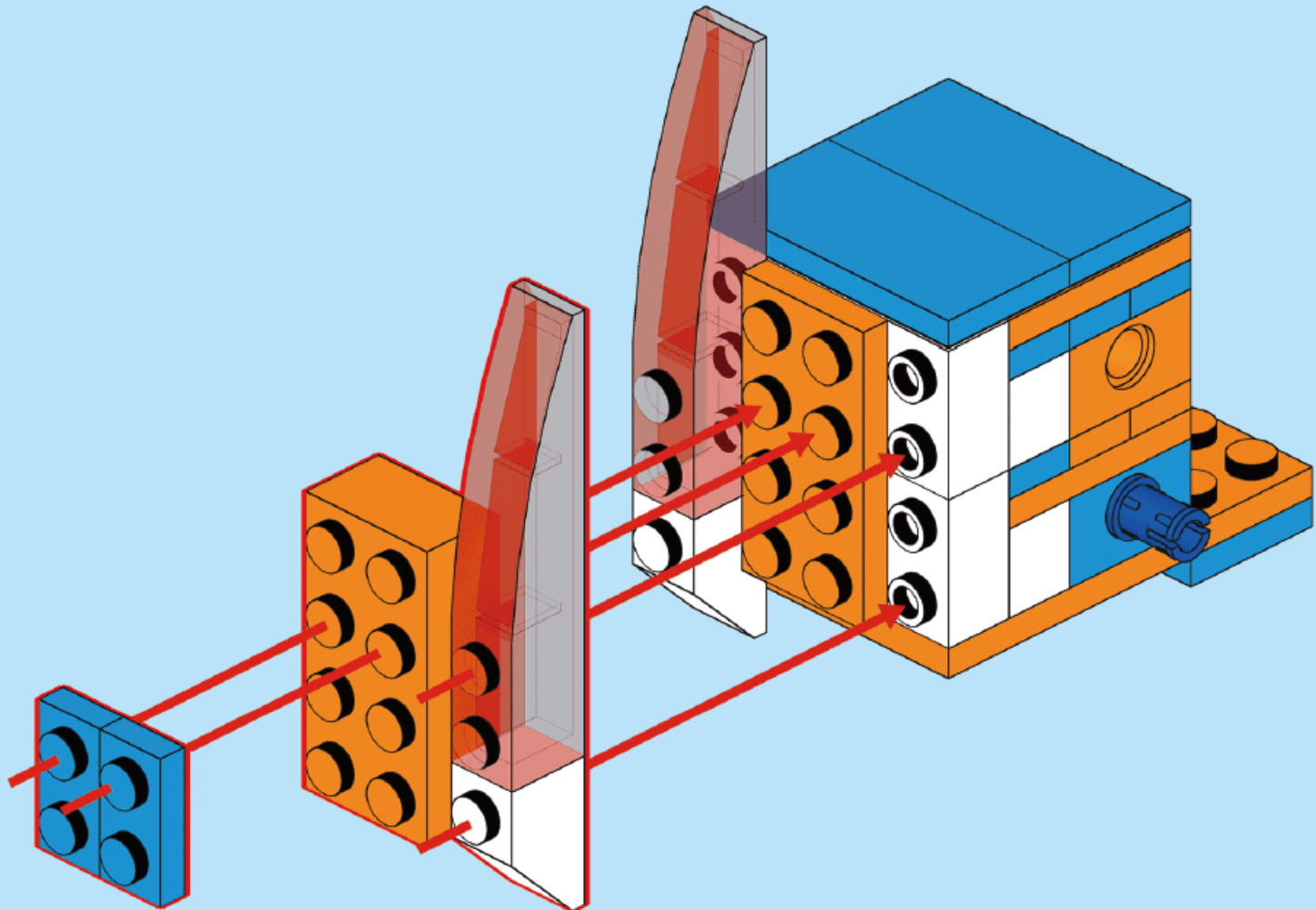
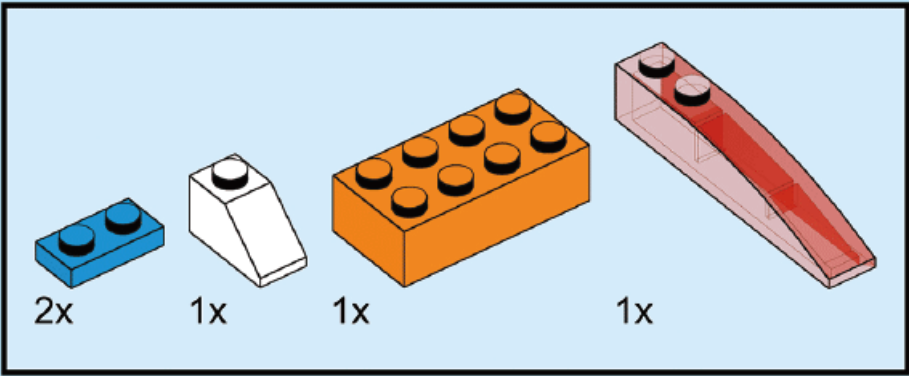
# 17



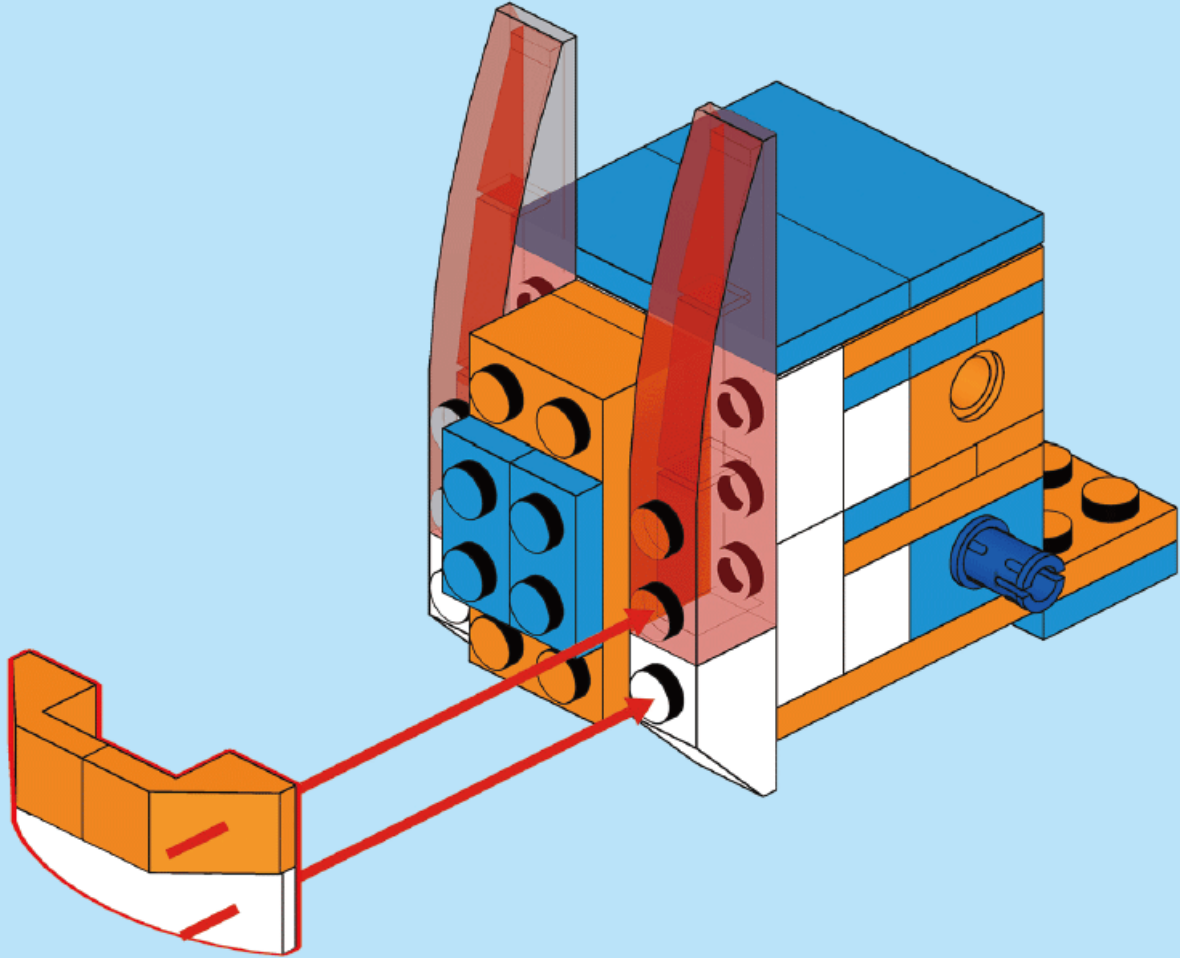
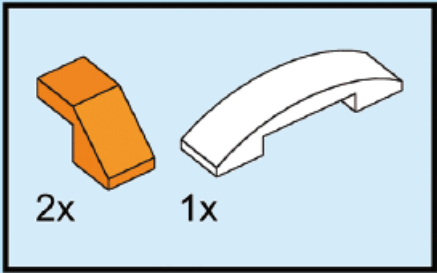
# 18



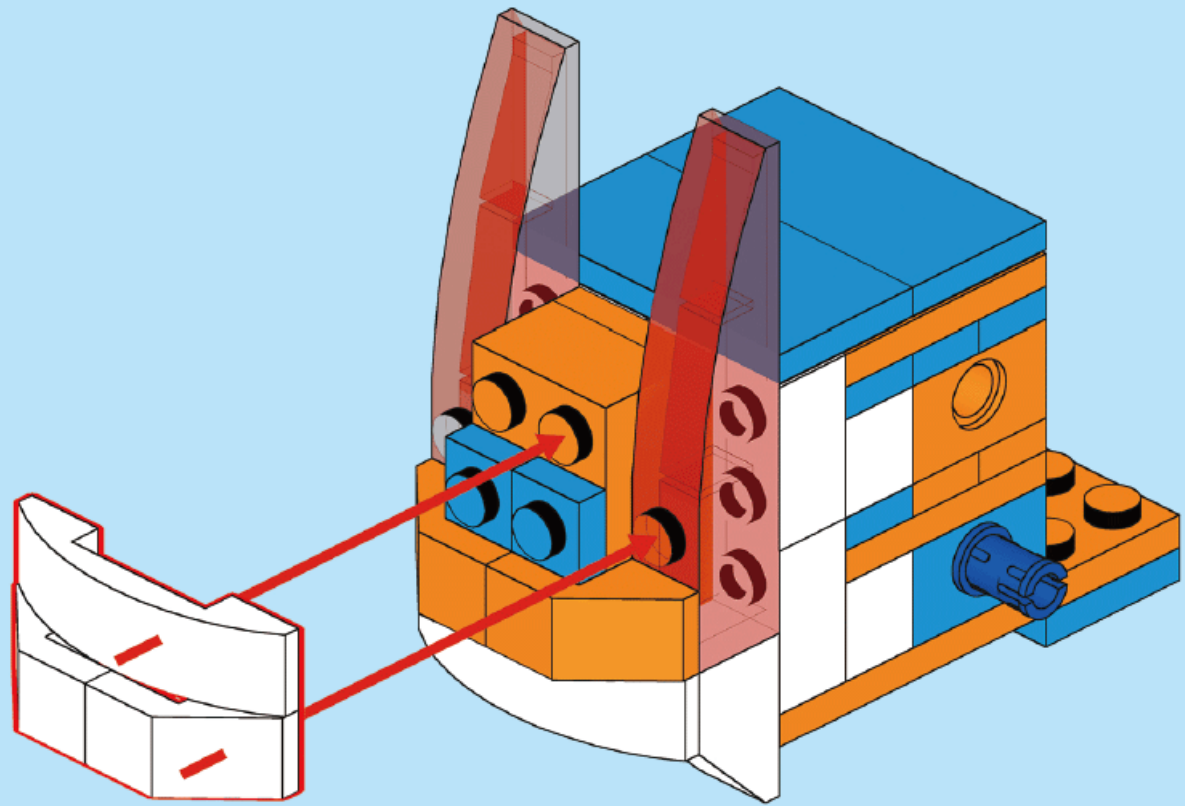
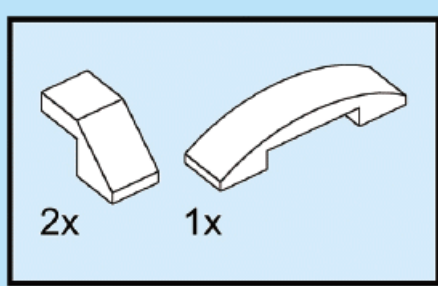
# 19



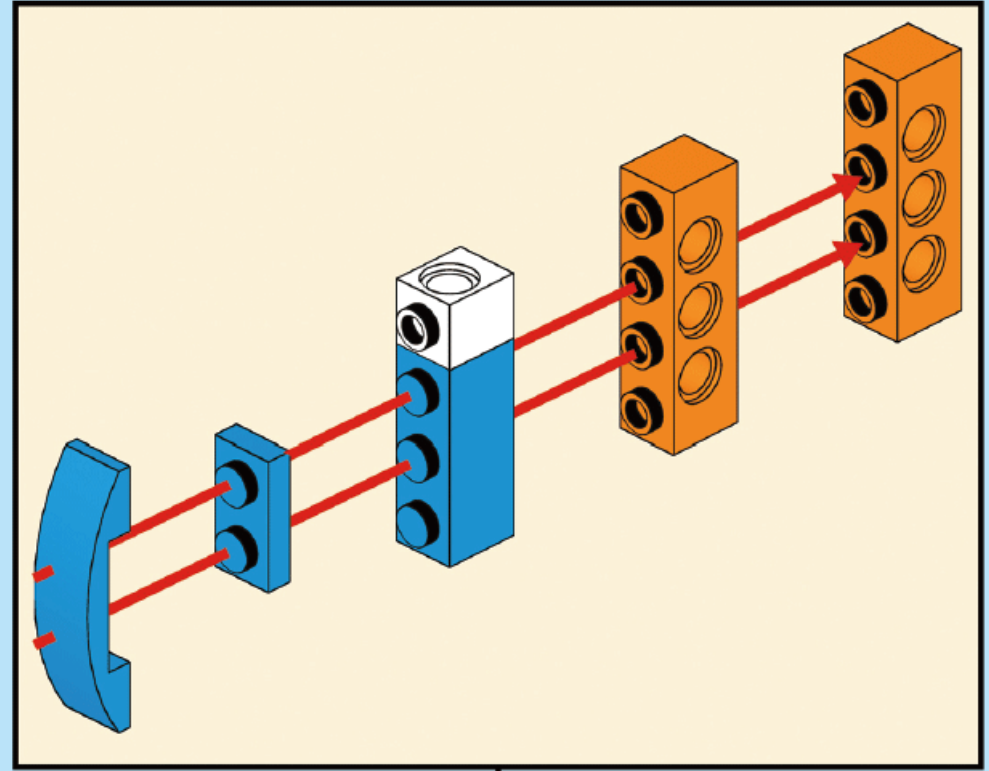
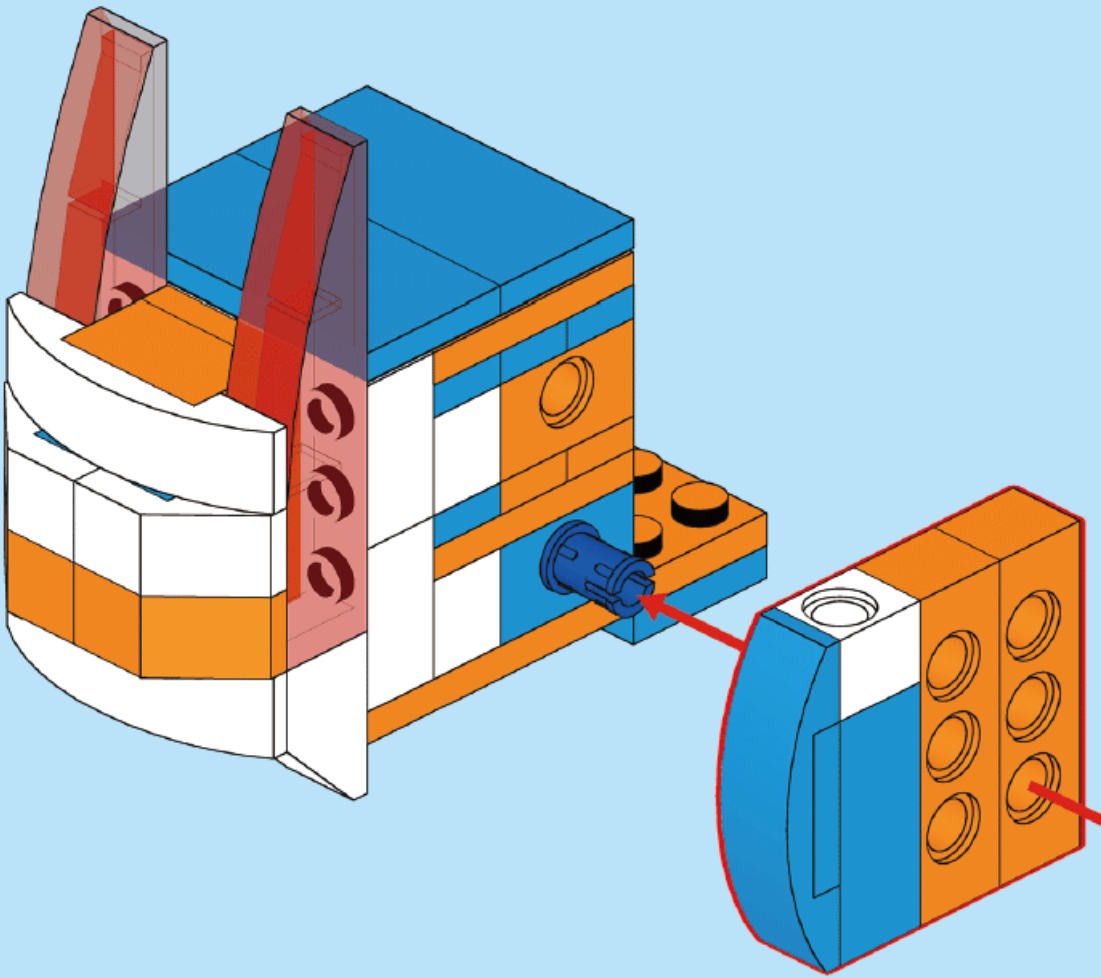
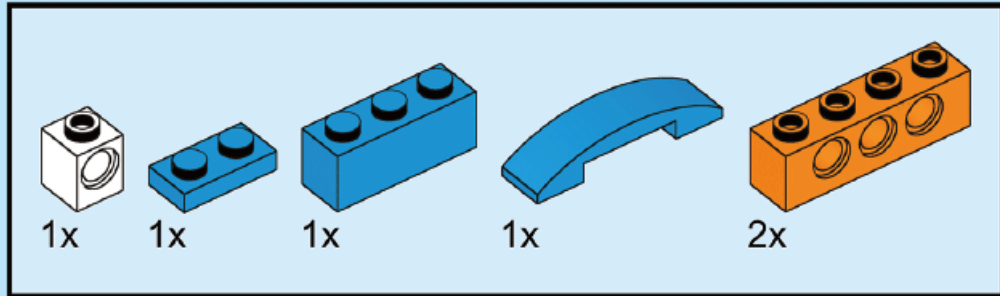
# 20



# 21

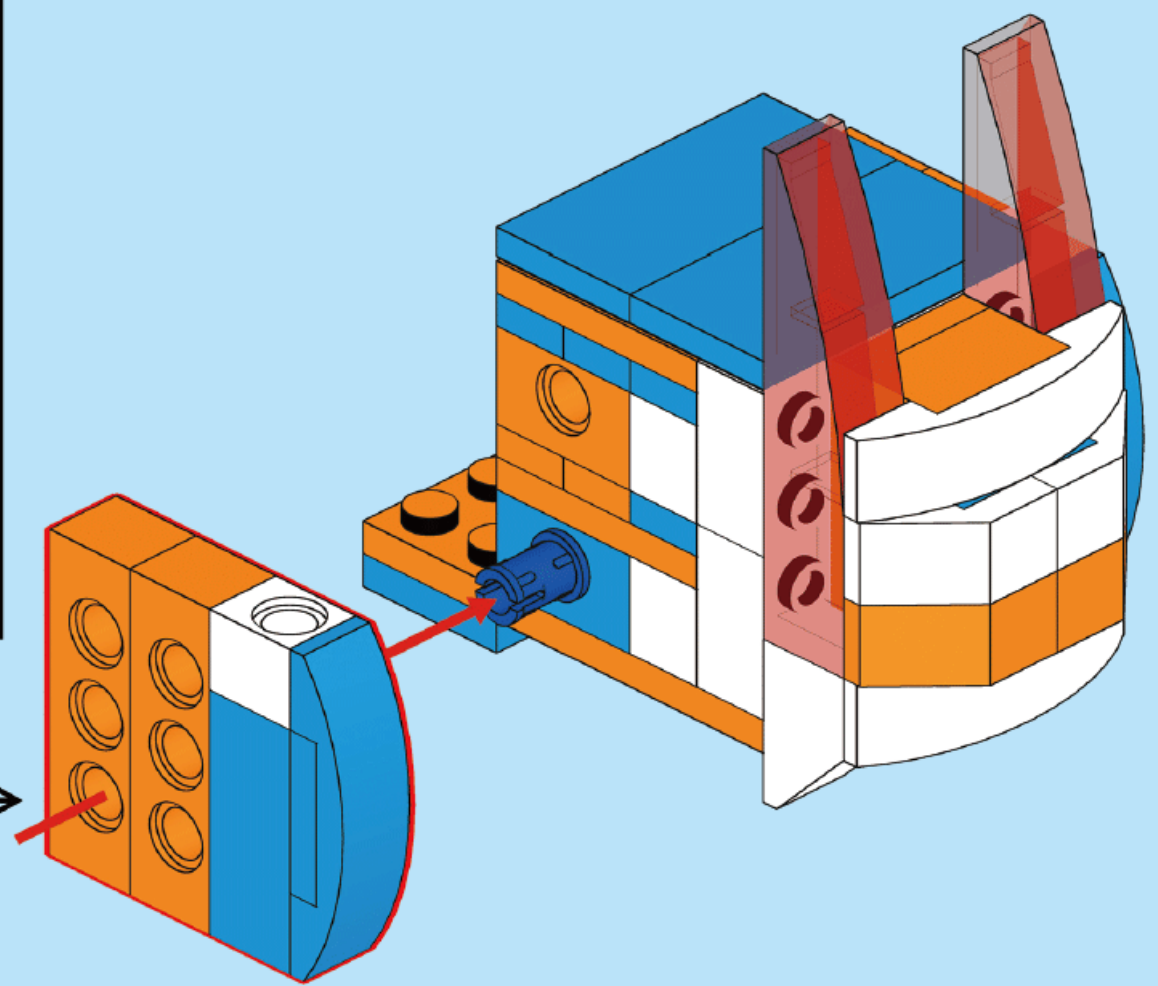
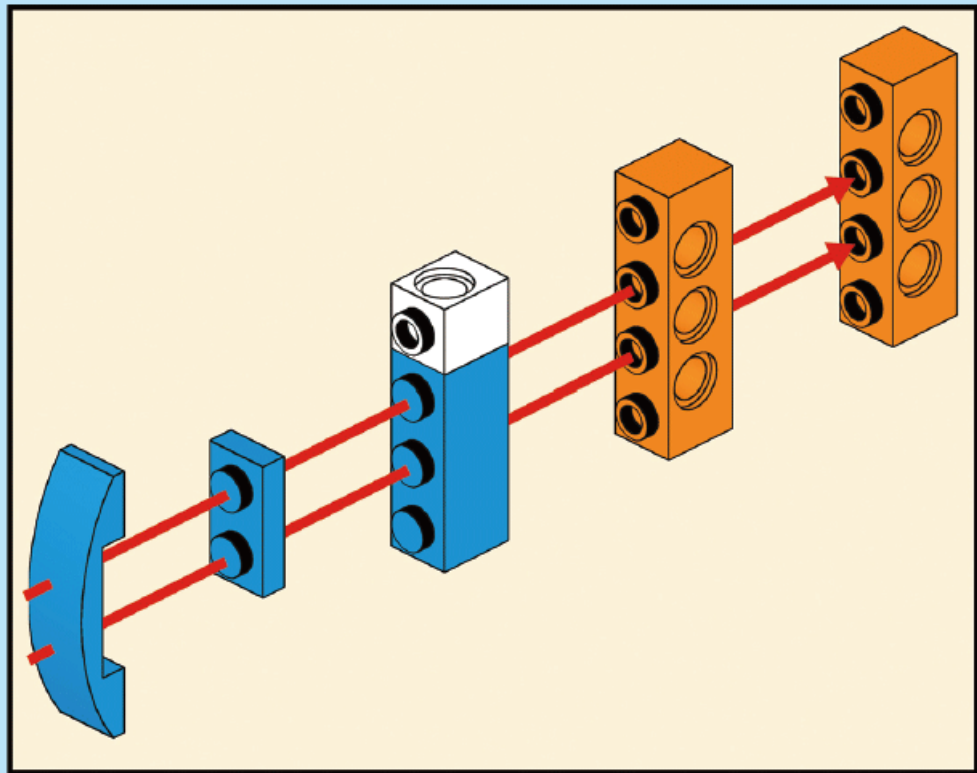
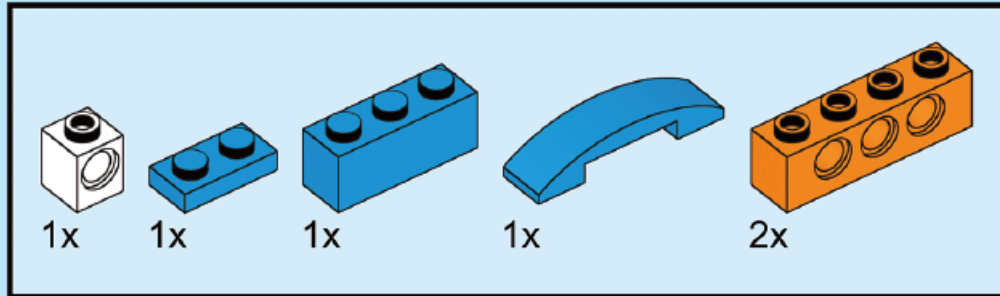


# 22



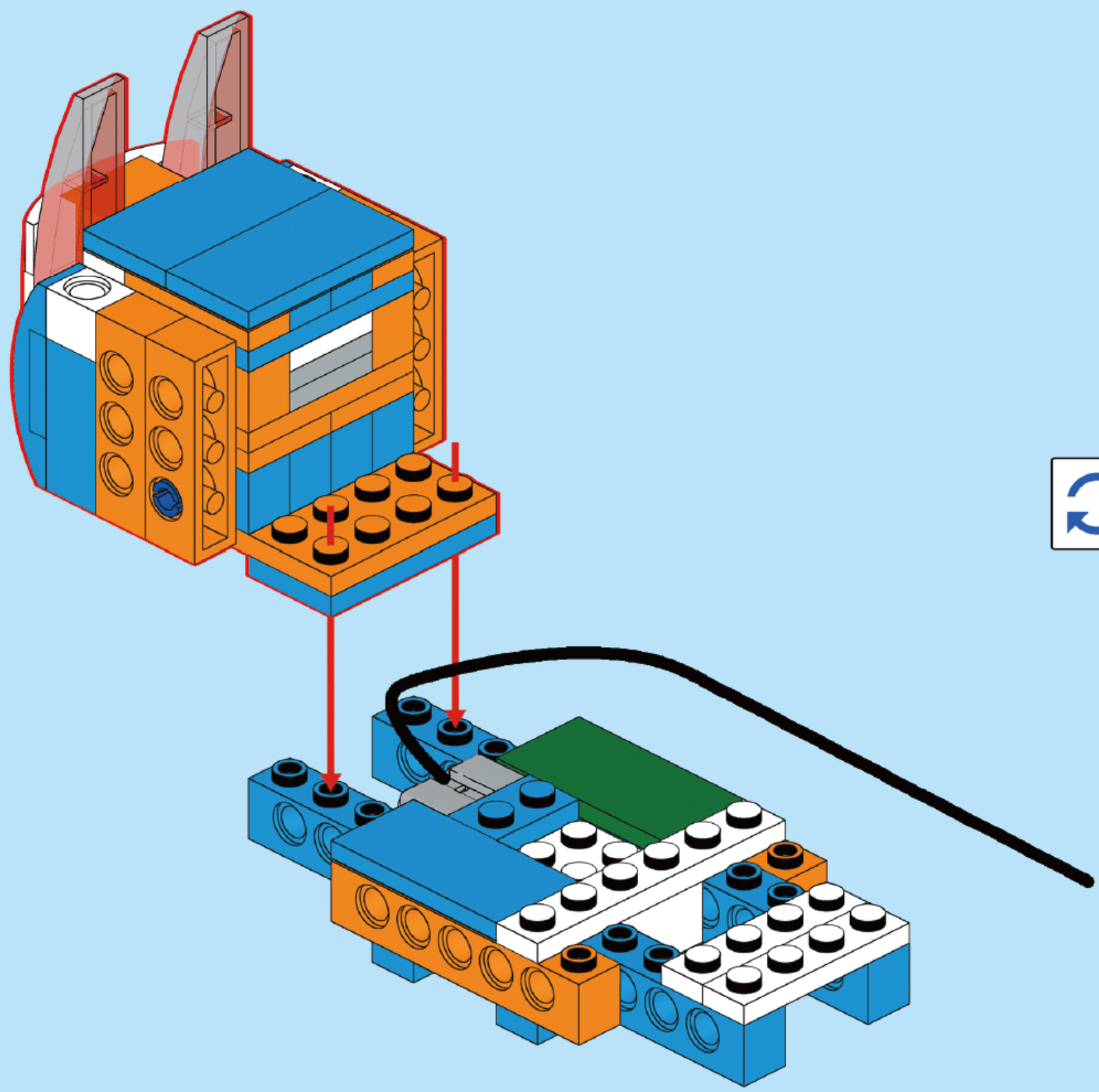


# 23

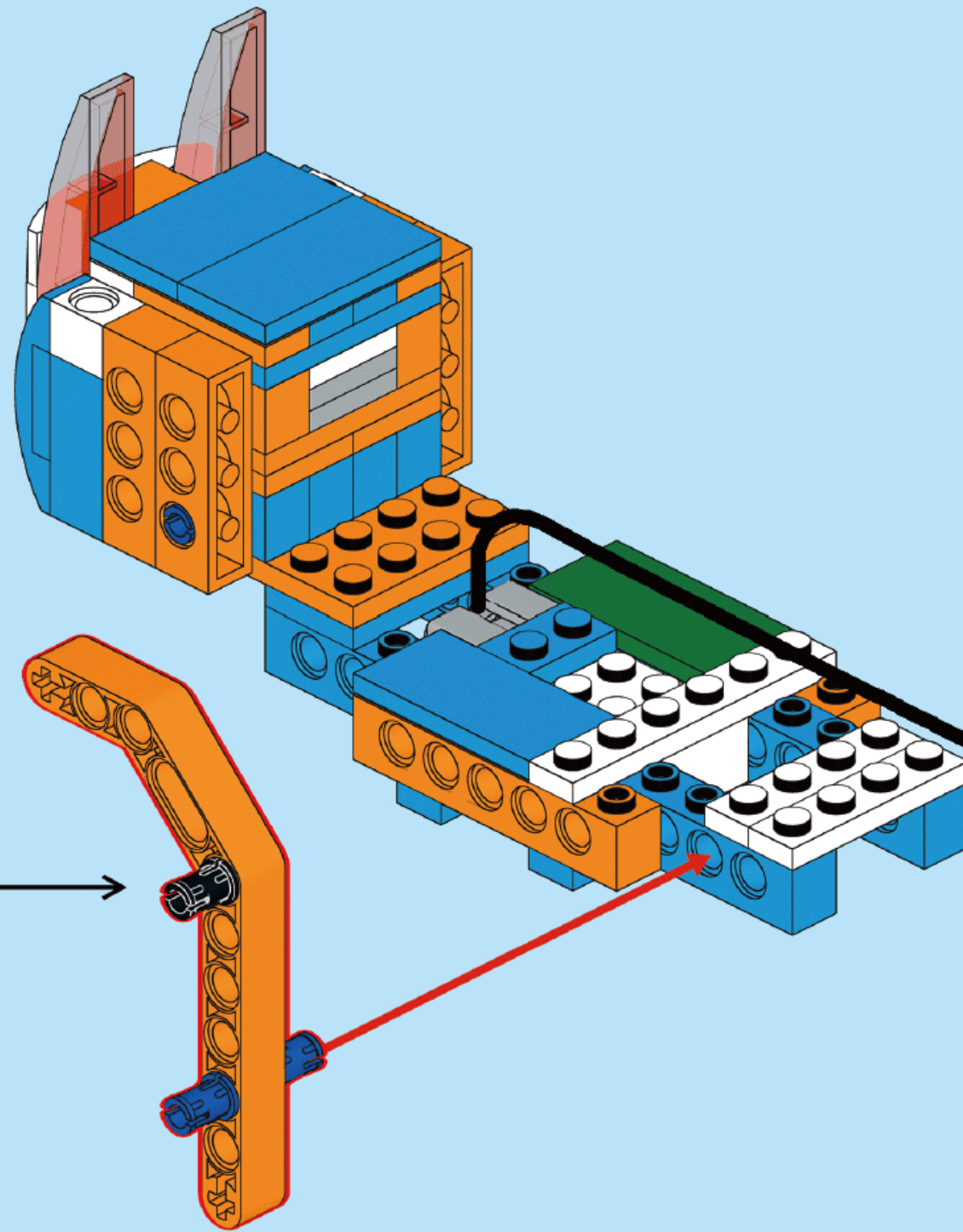
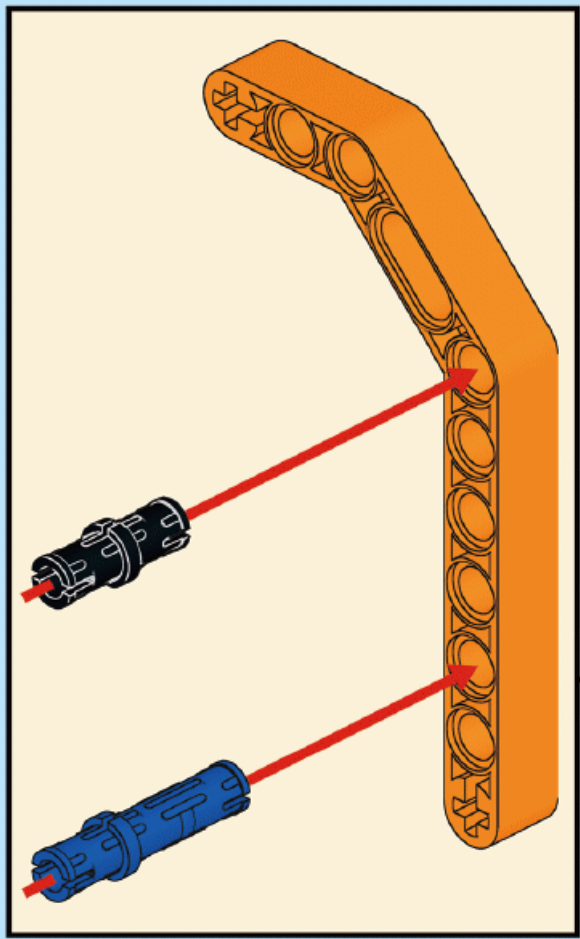
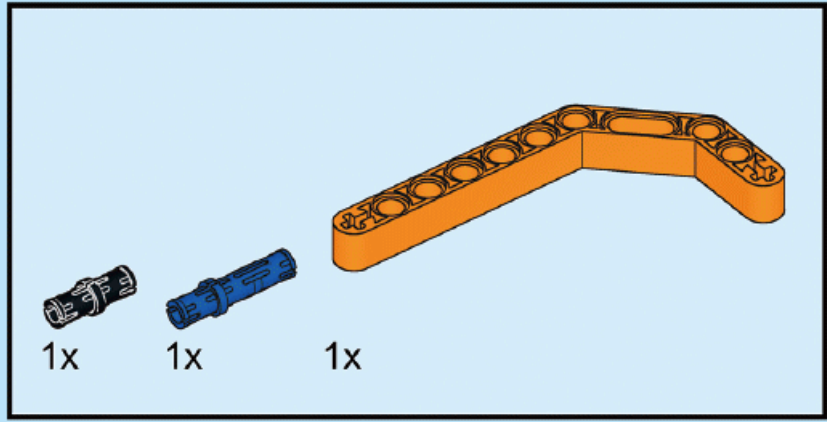




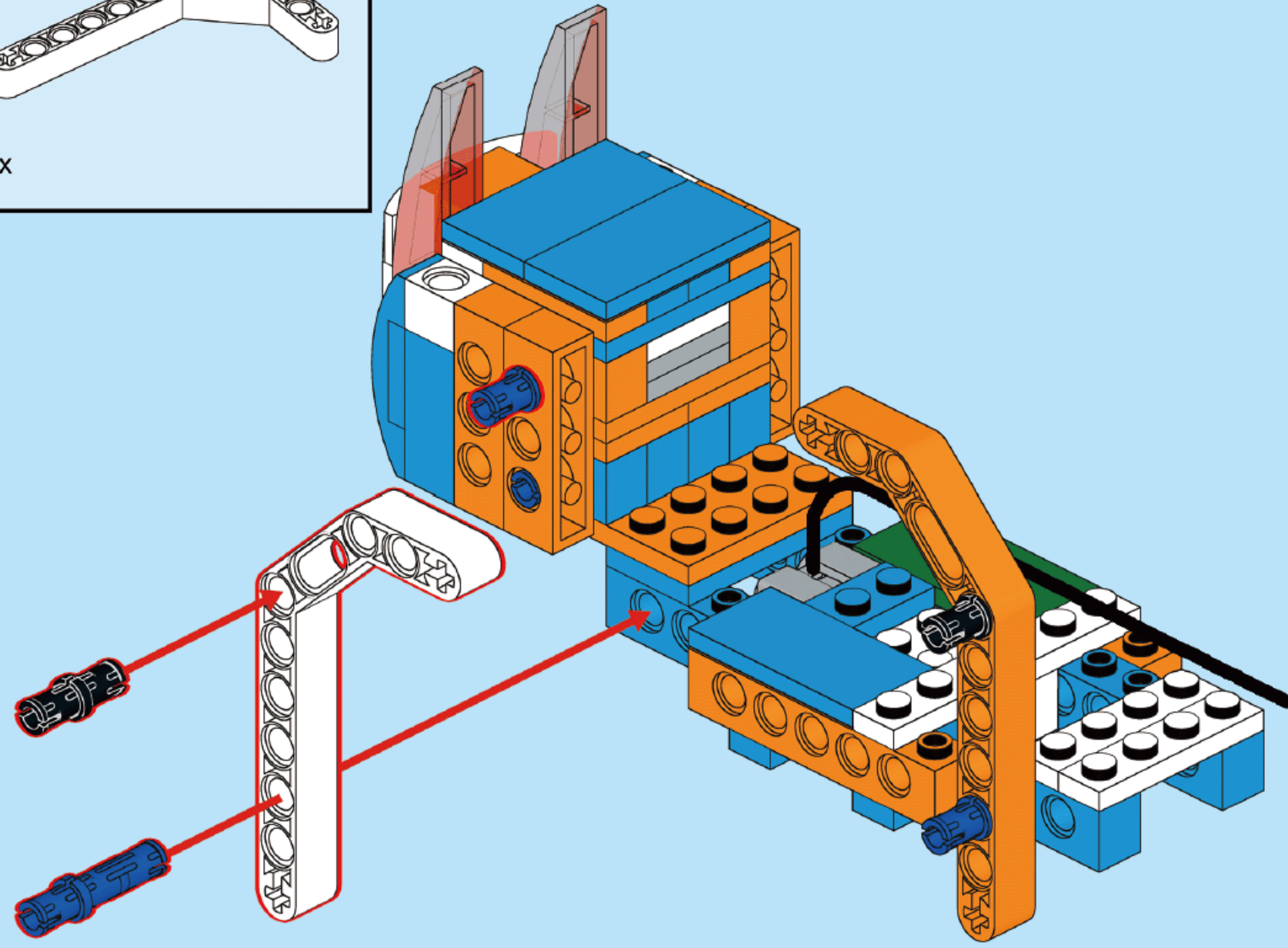
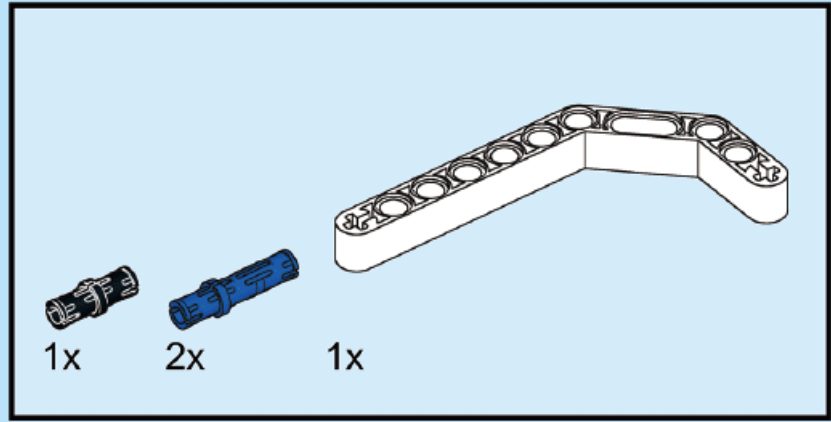
# 24



# 25

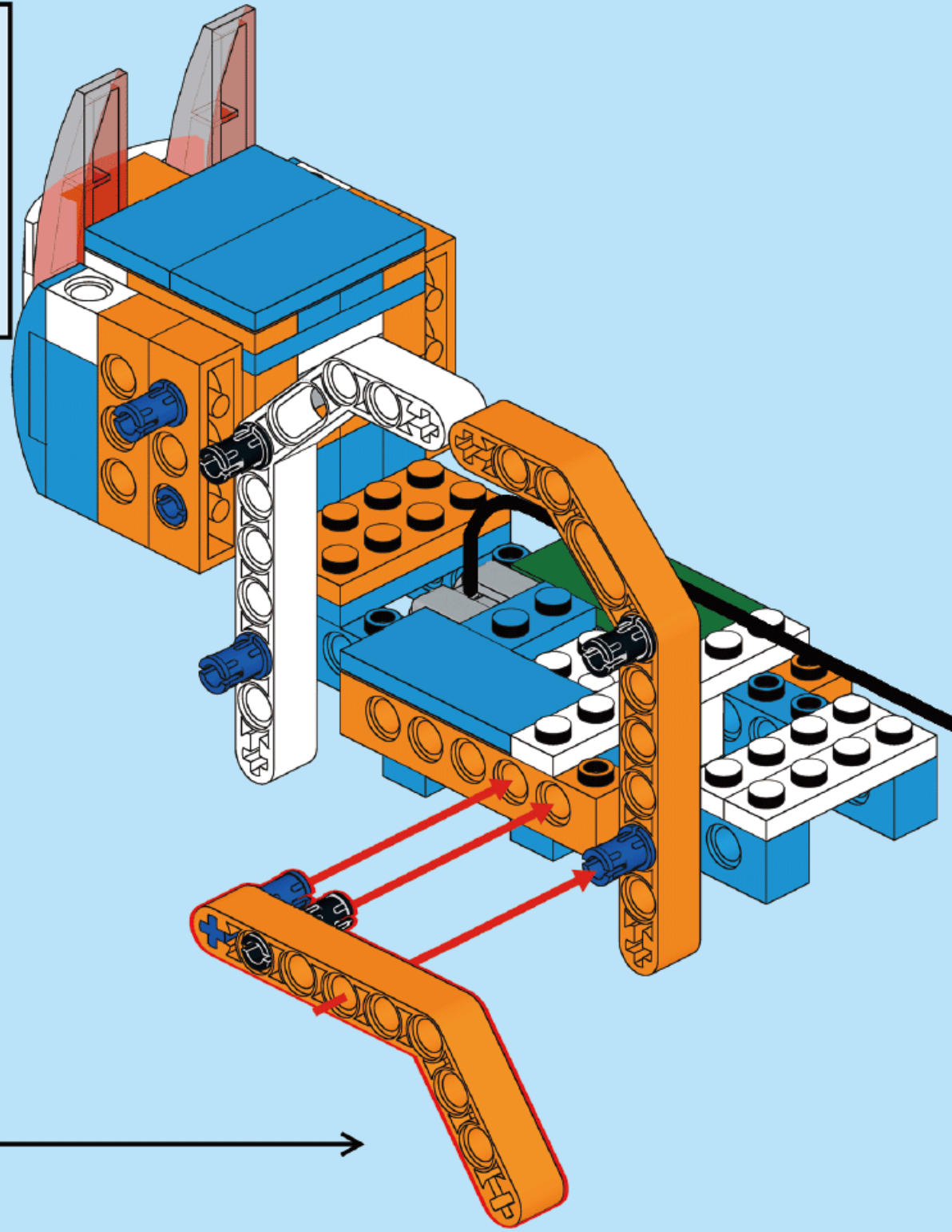
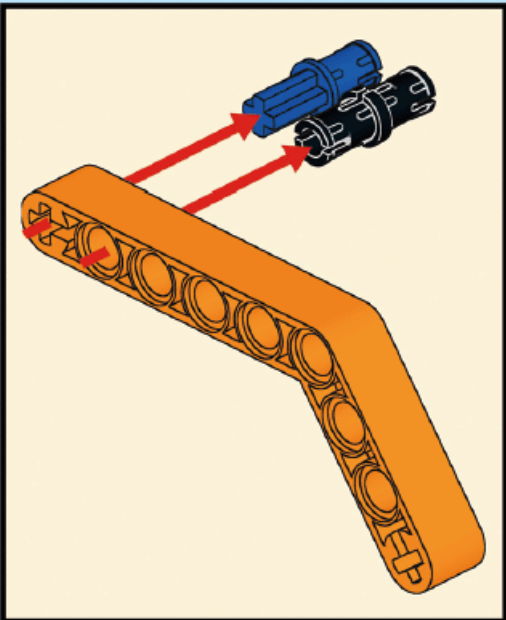
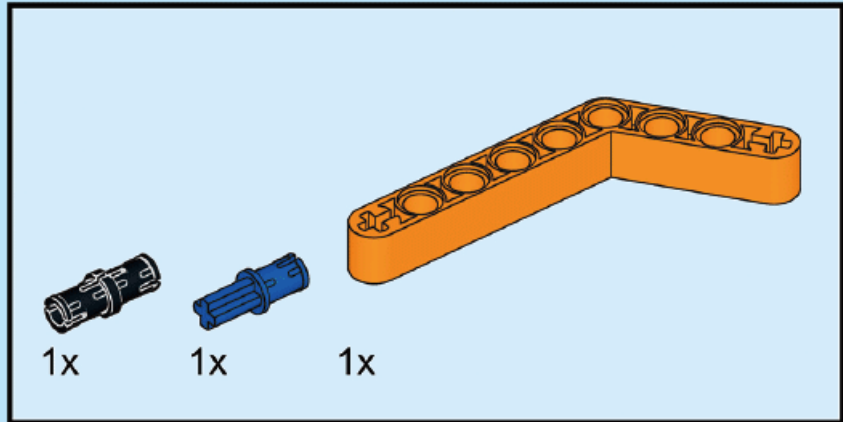


# 26

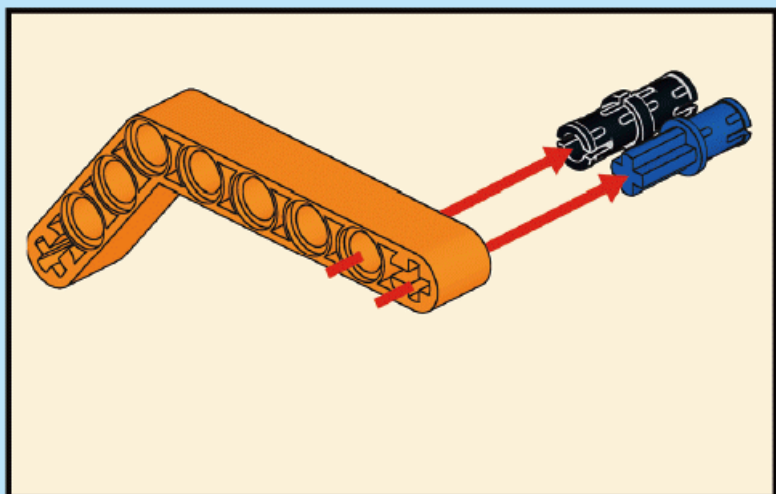
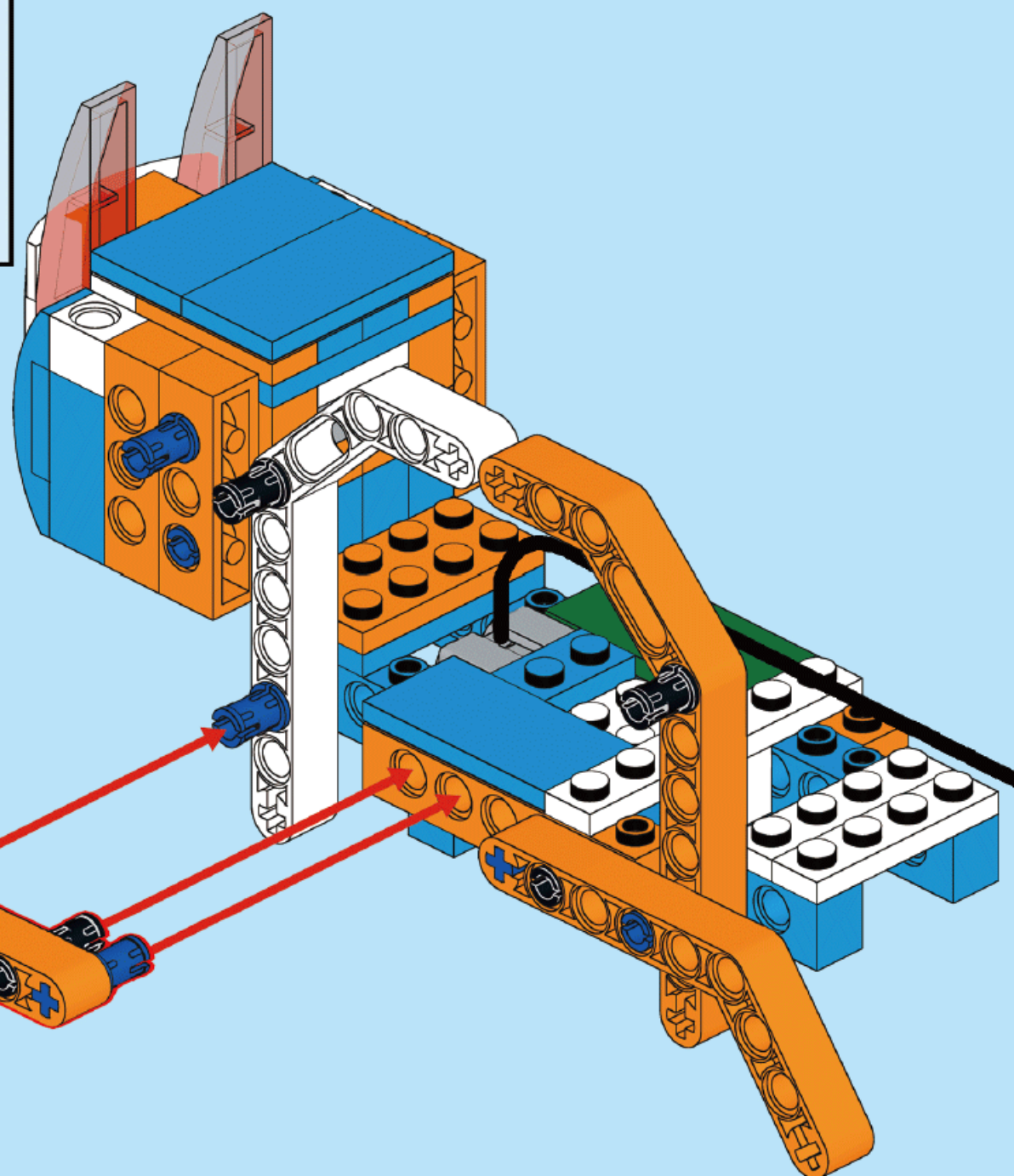
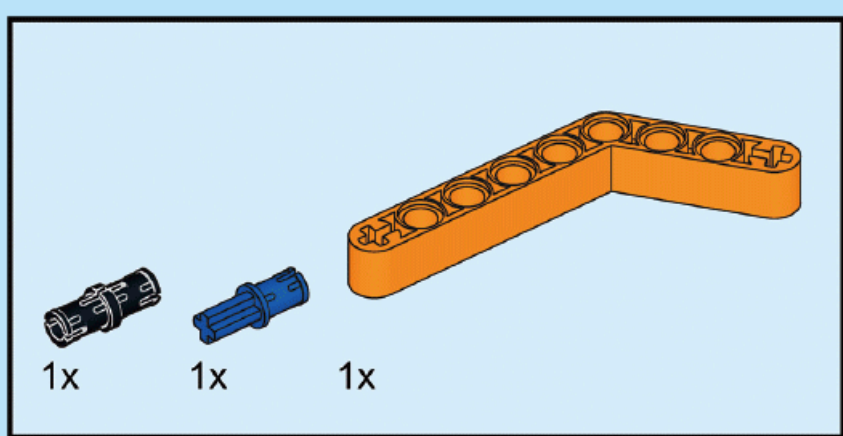




# 27



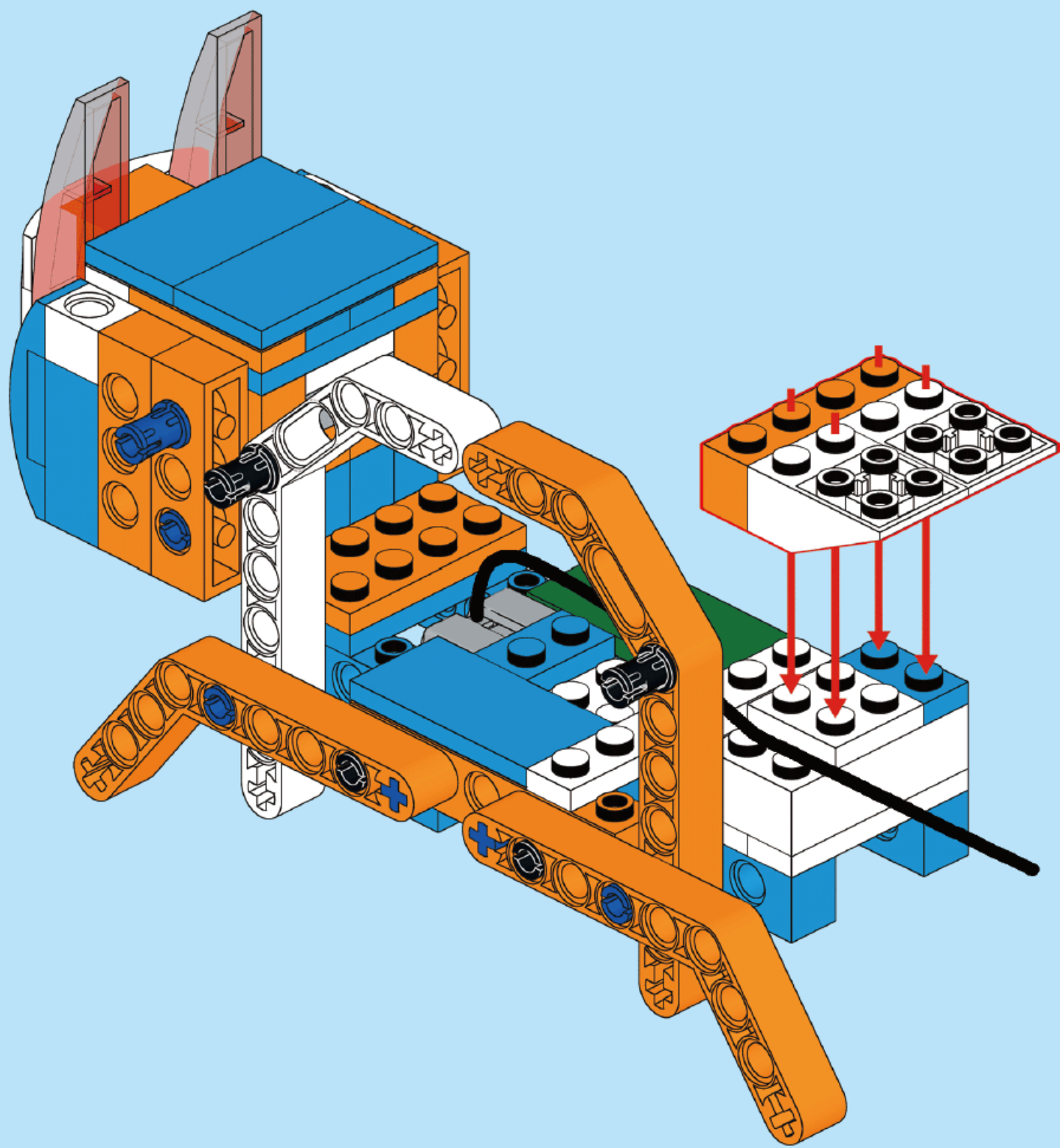
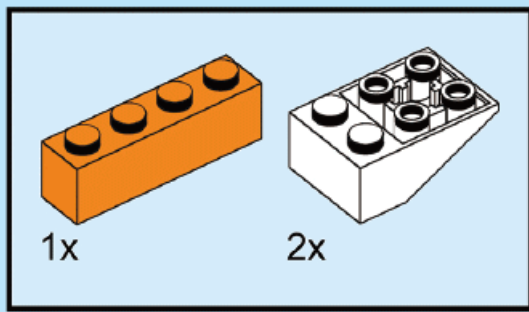
# 28







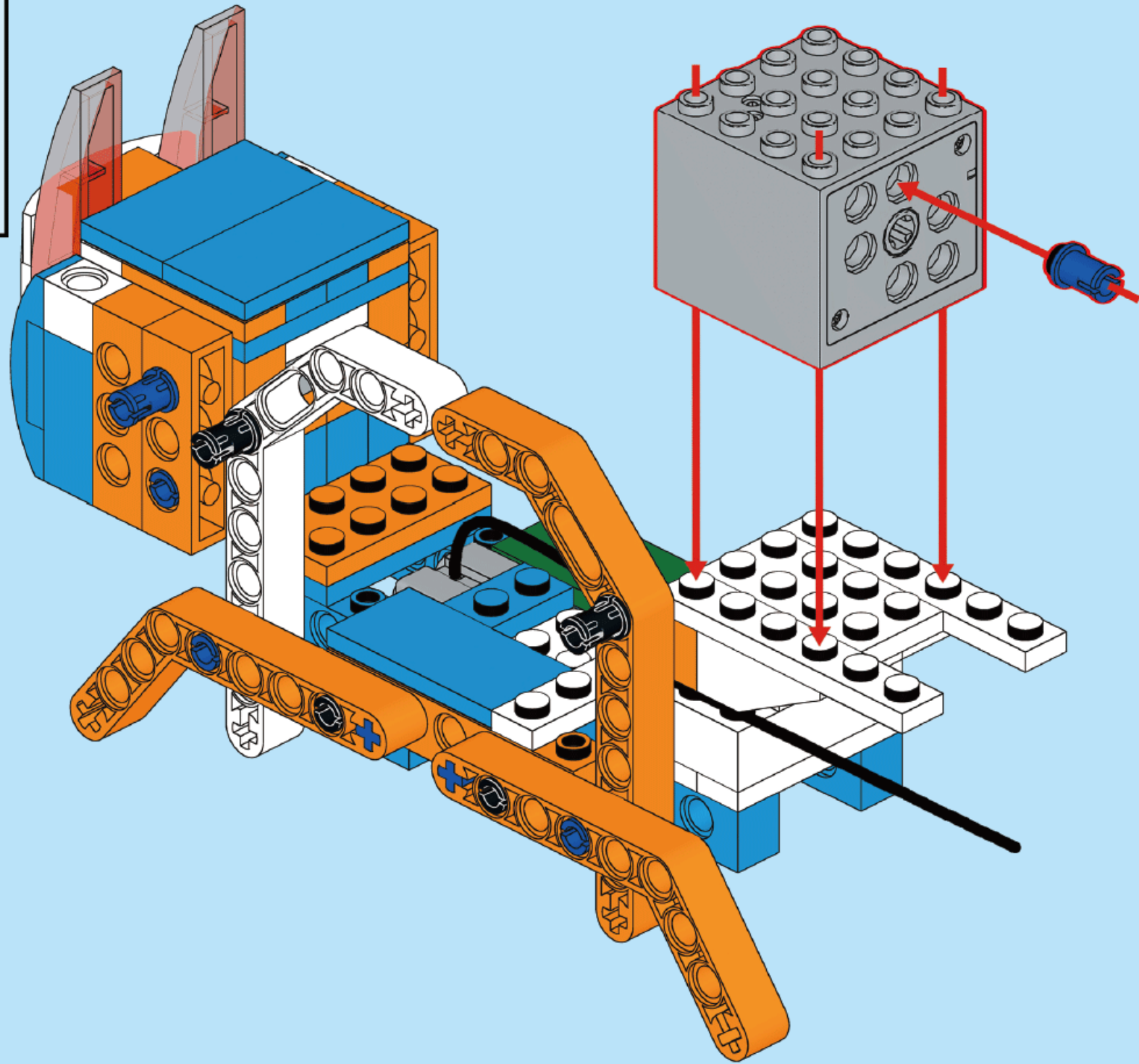
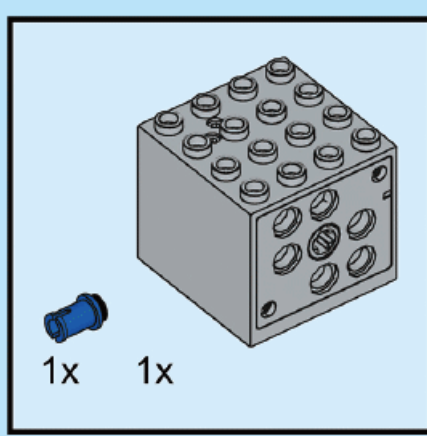
# 30





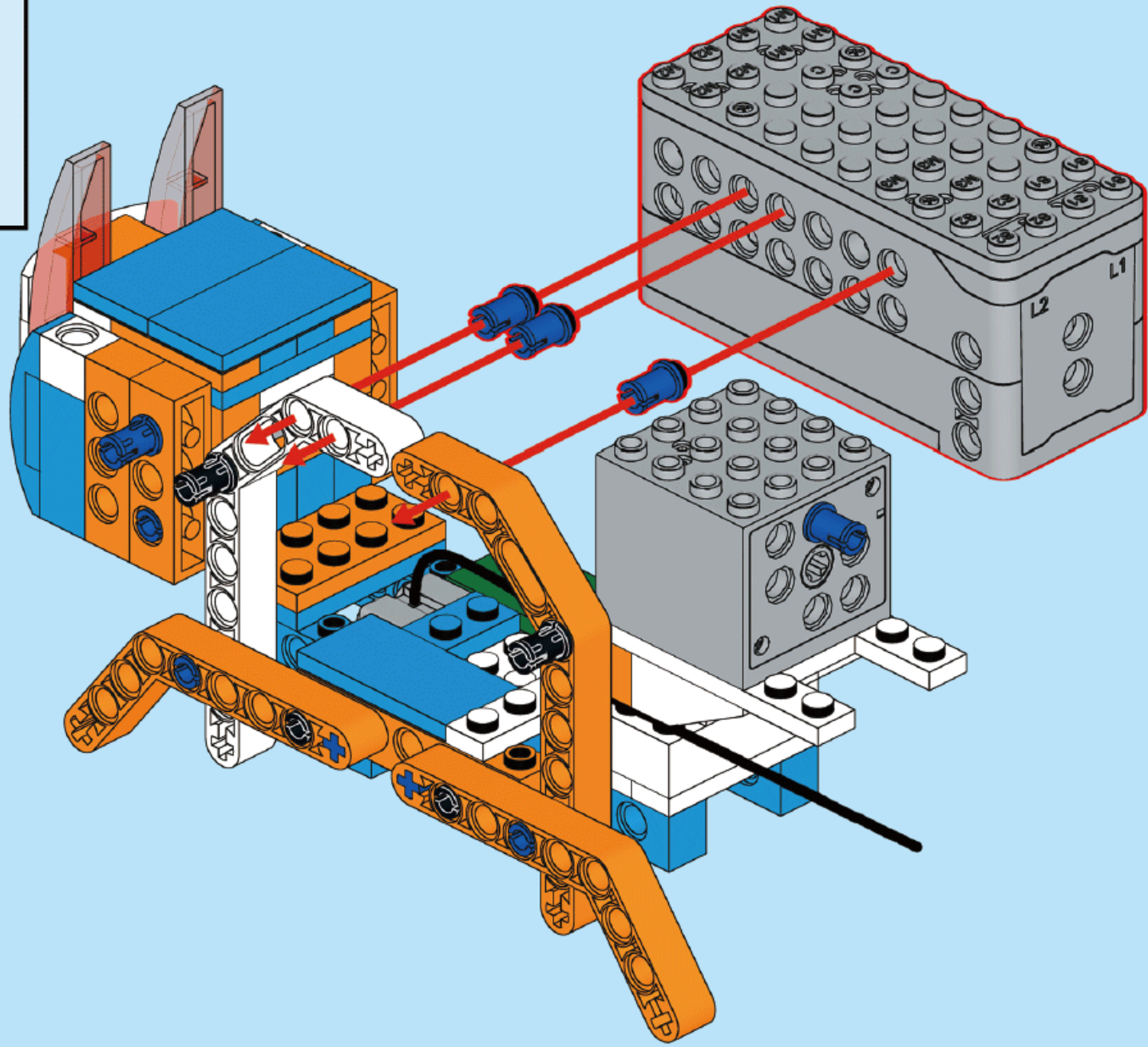
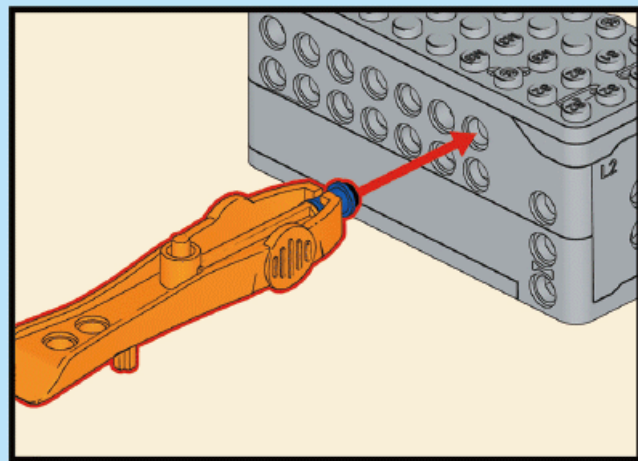
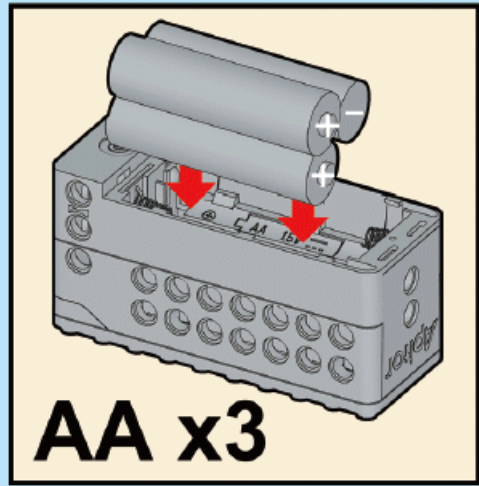
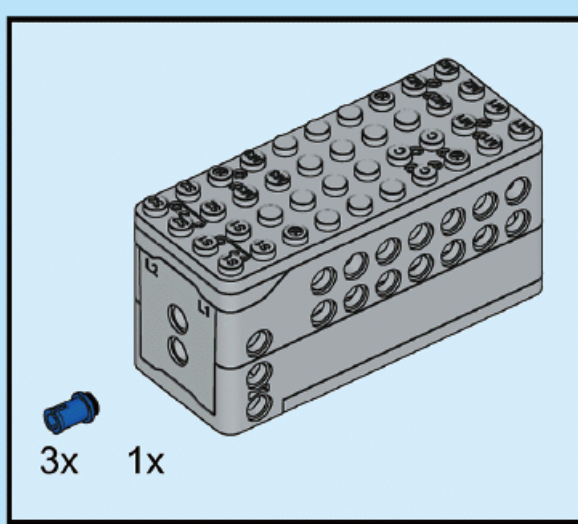


# 32

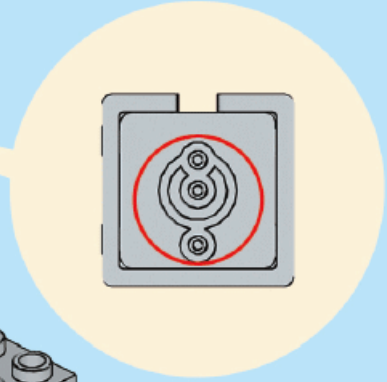
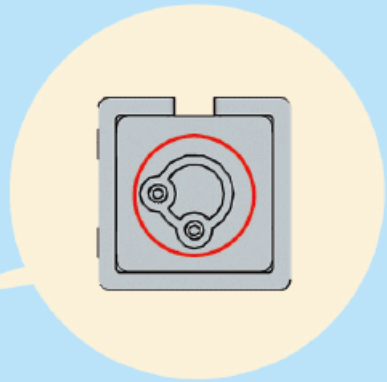
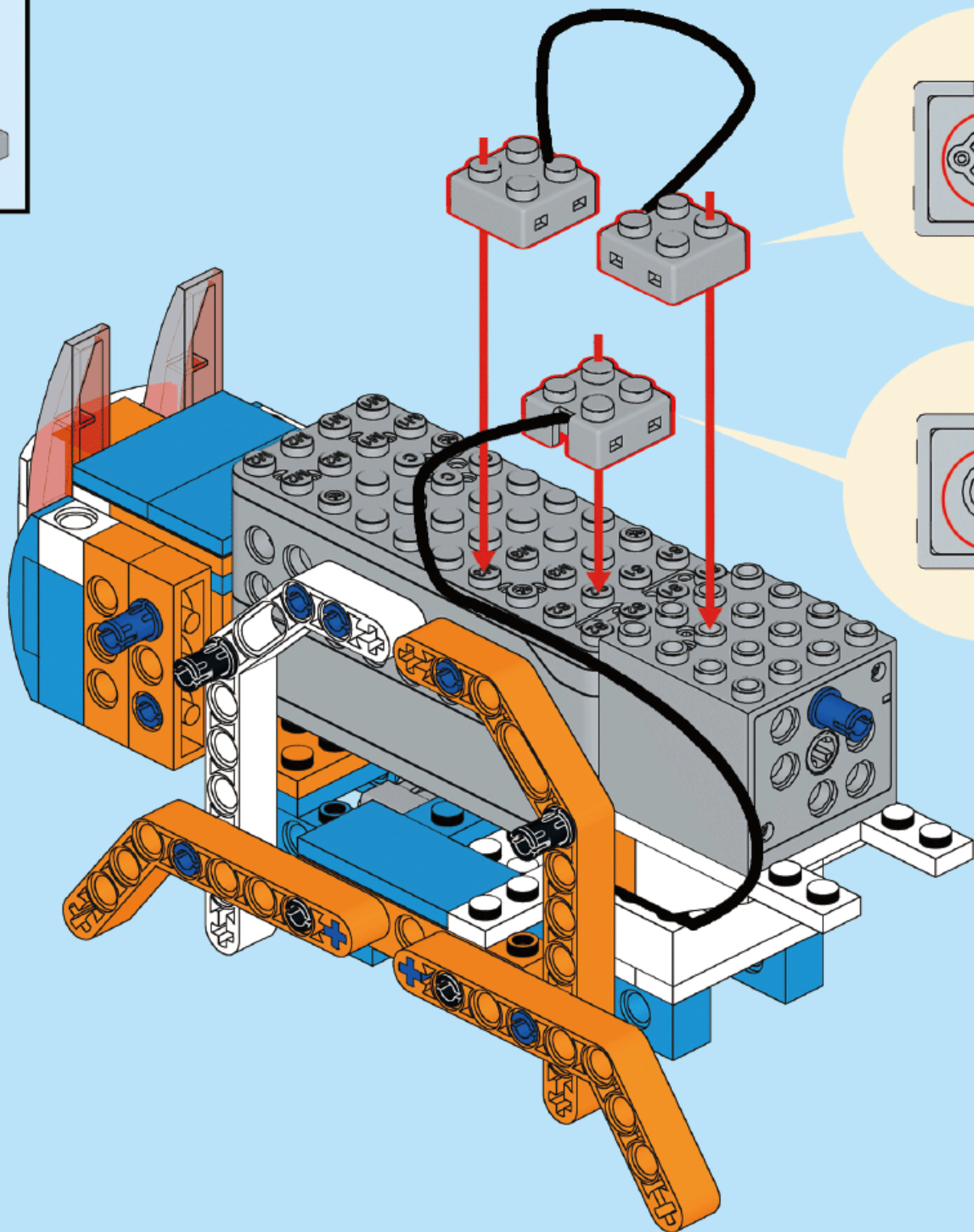
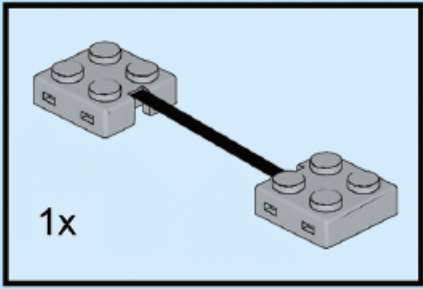




# 33

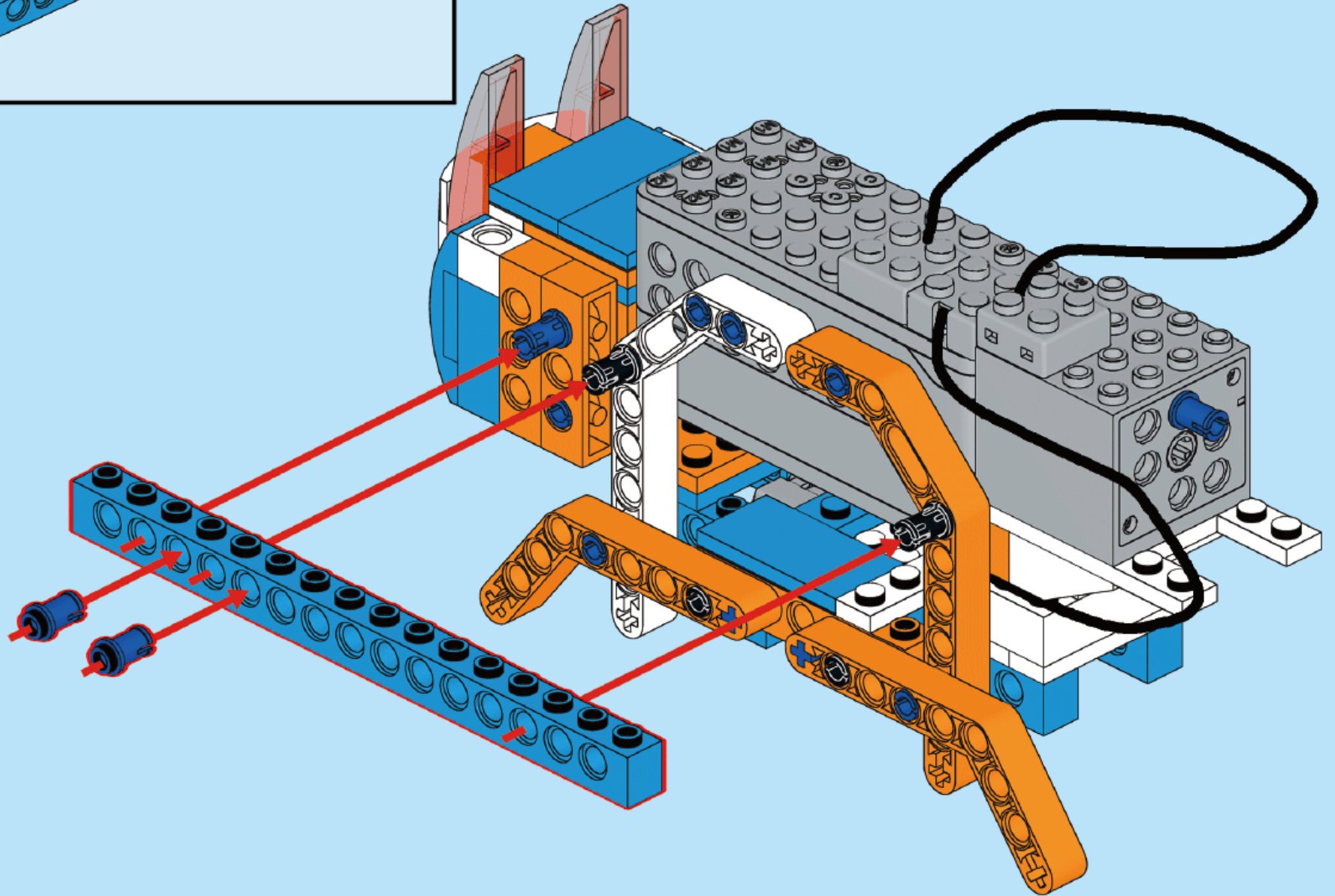
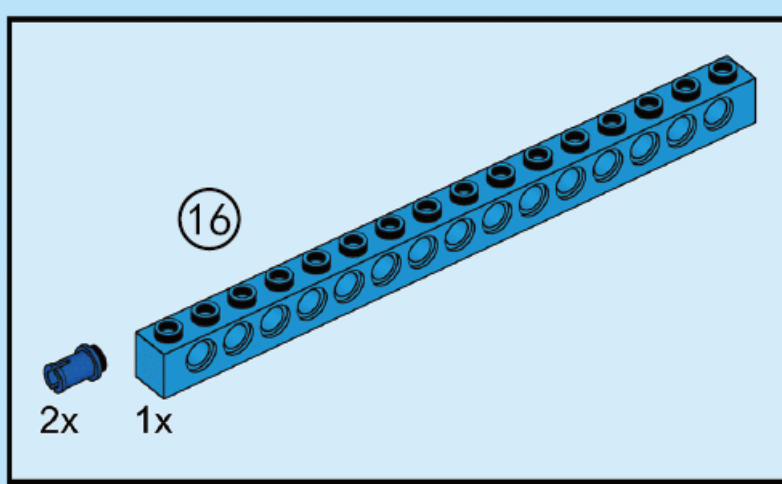


# 34





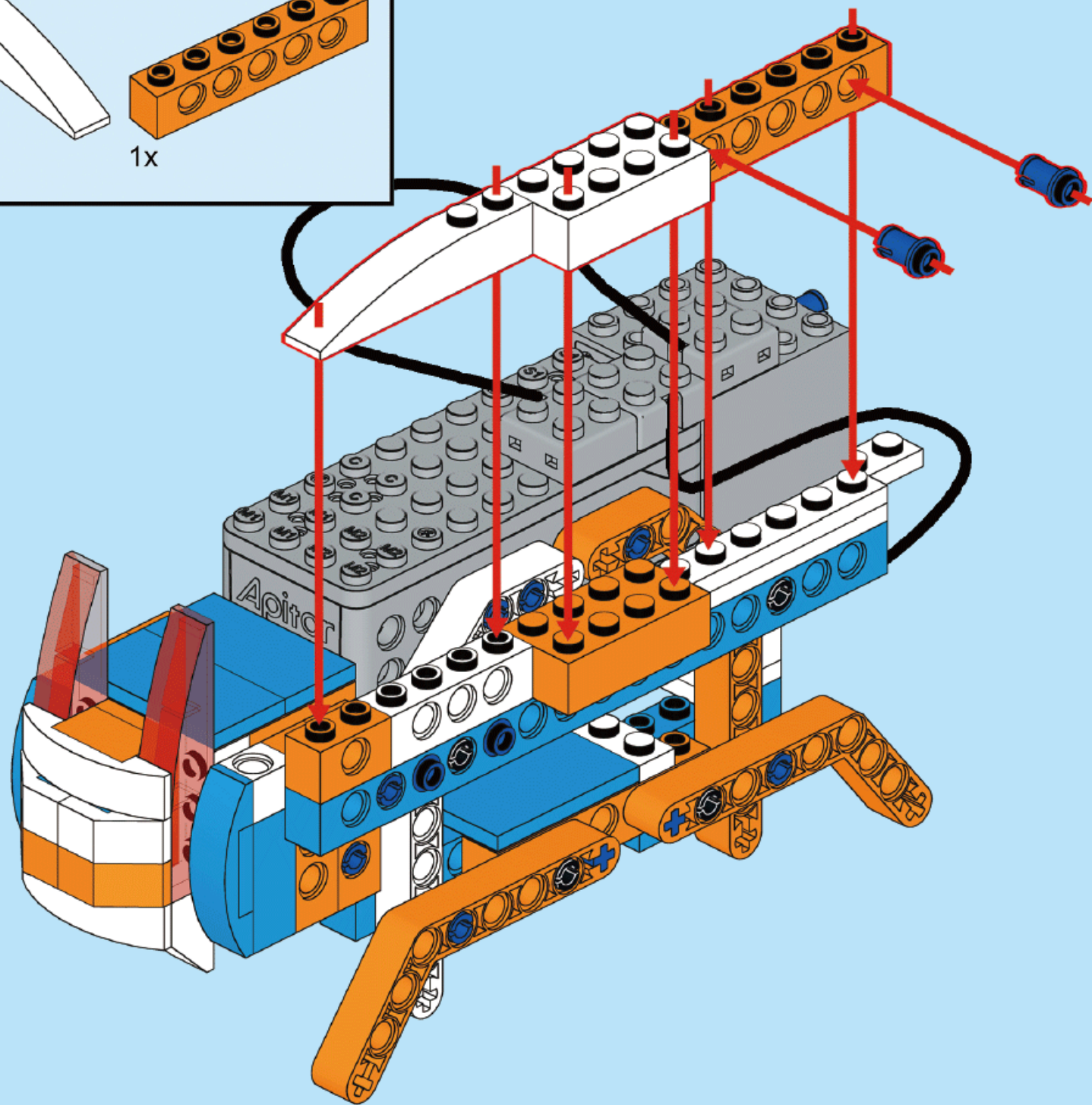
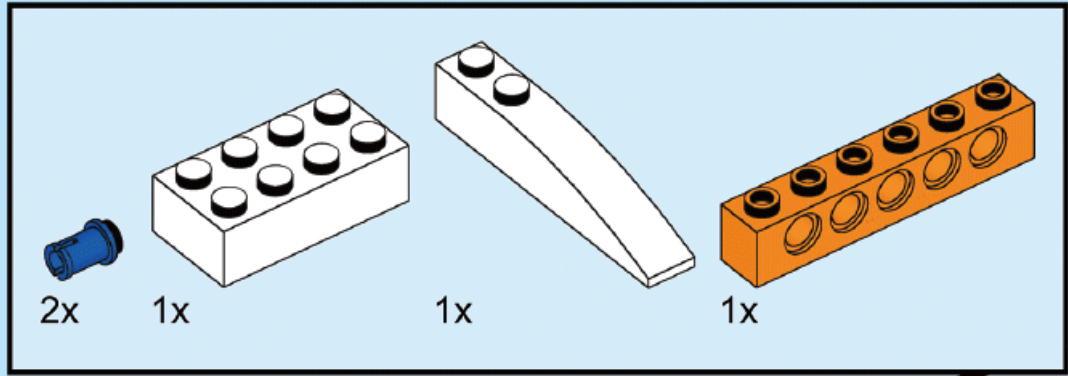
# 35



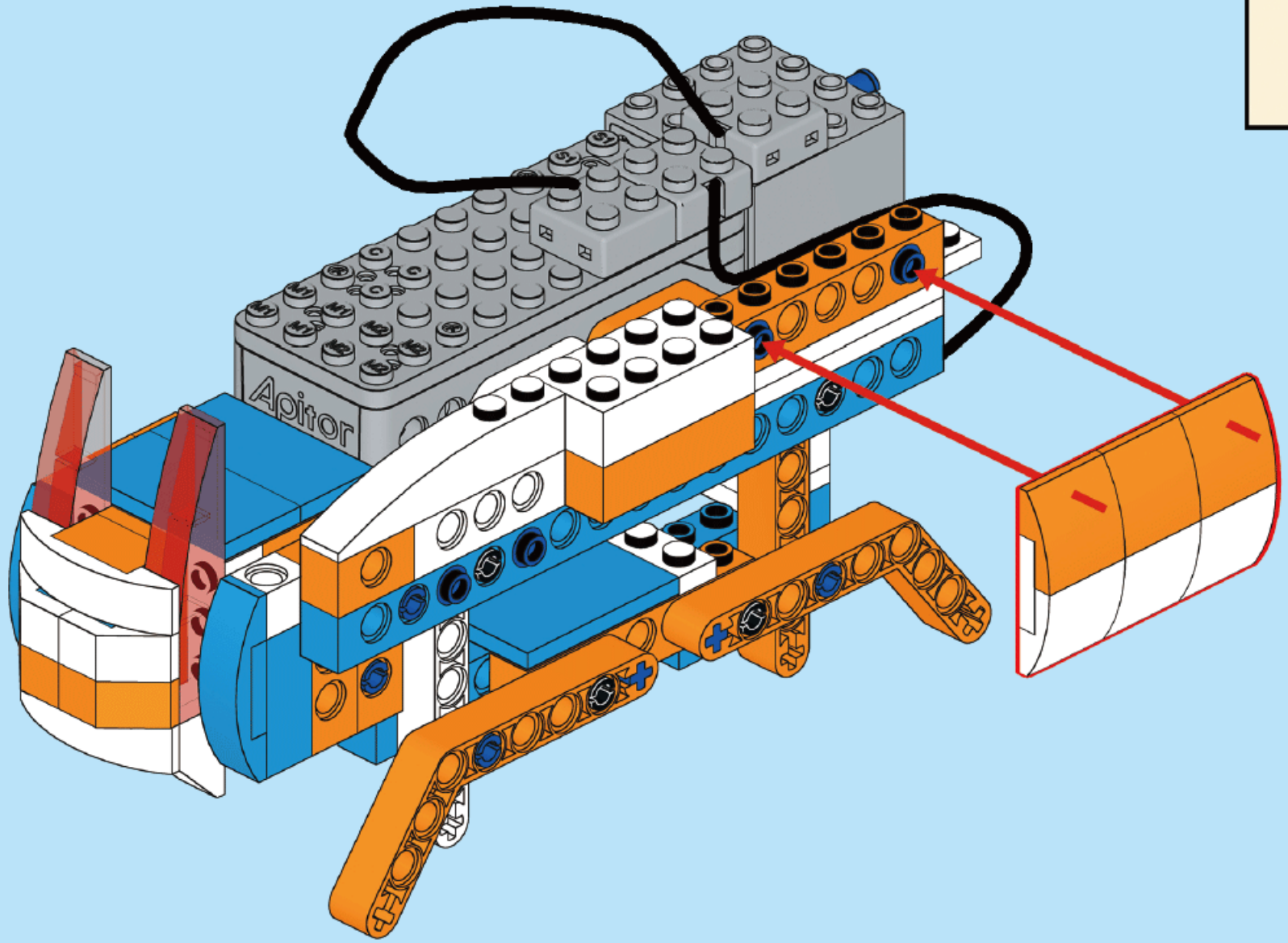
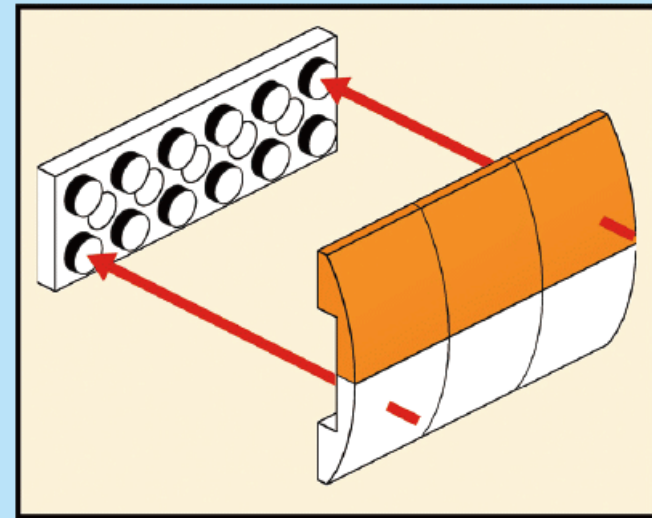
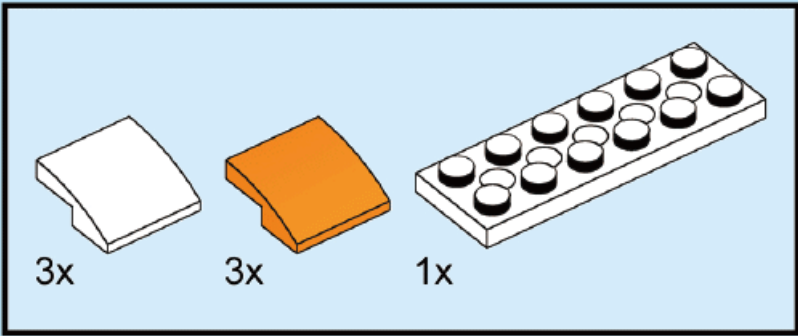




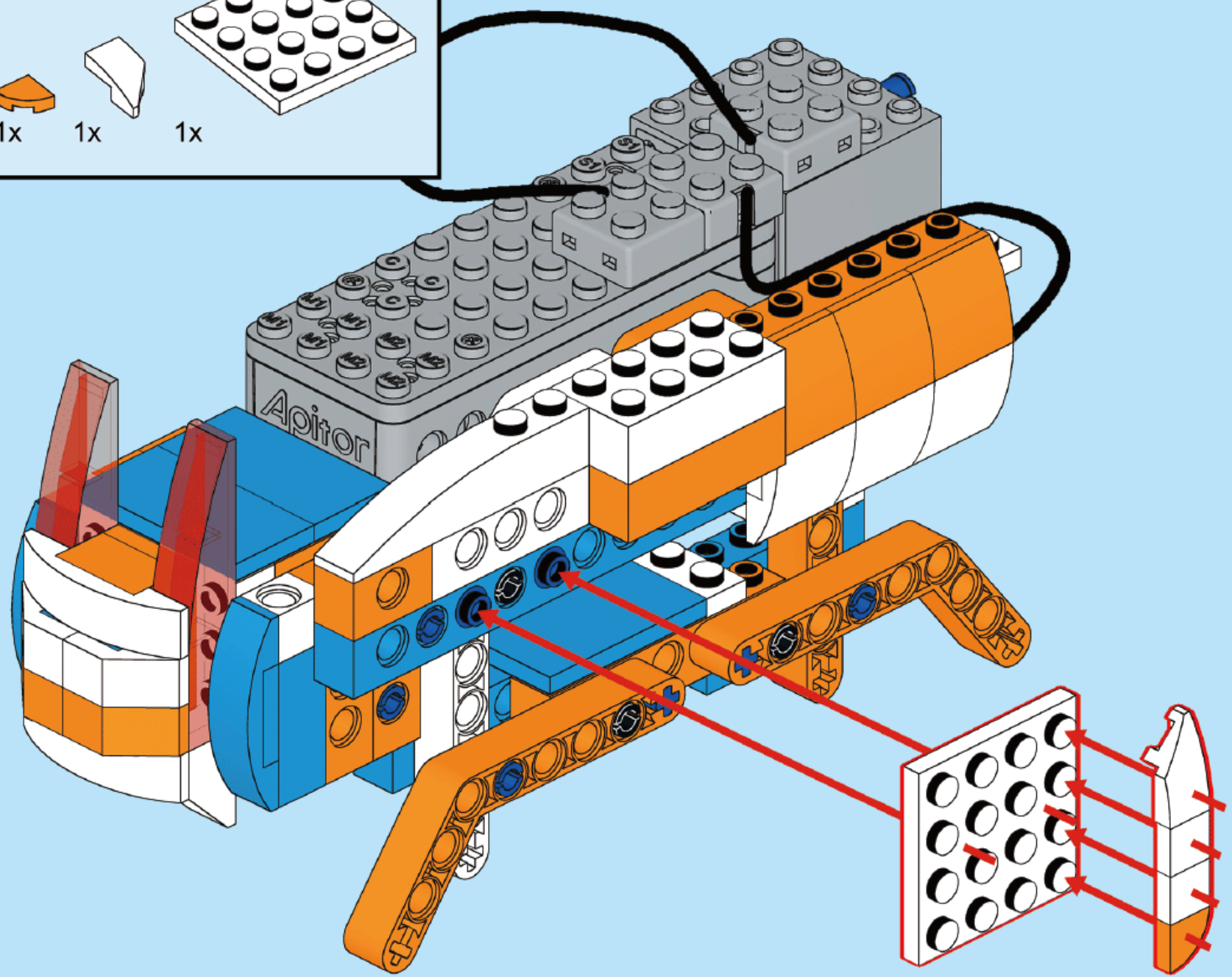
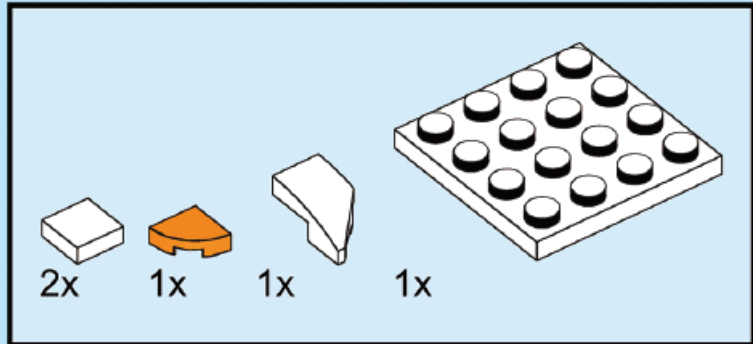
# 37



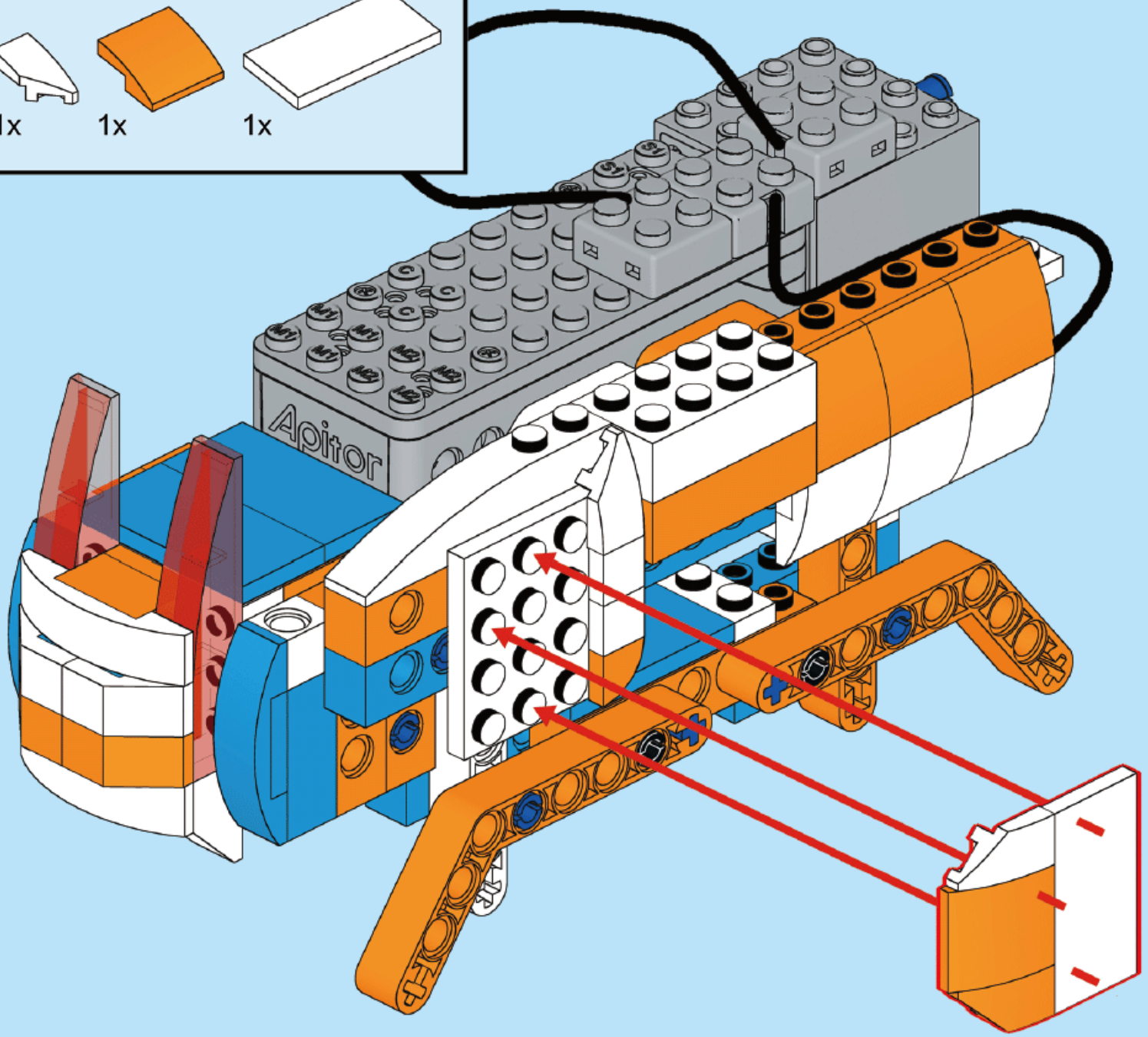
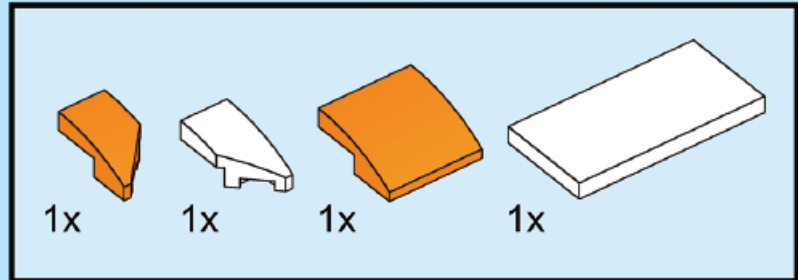
# 38



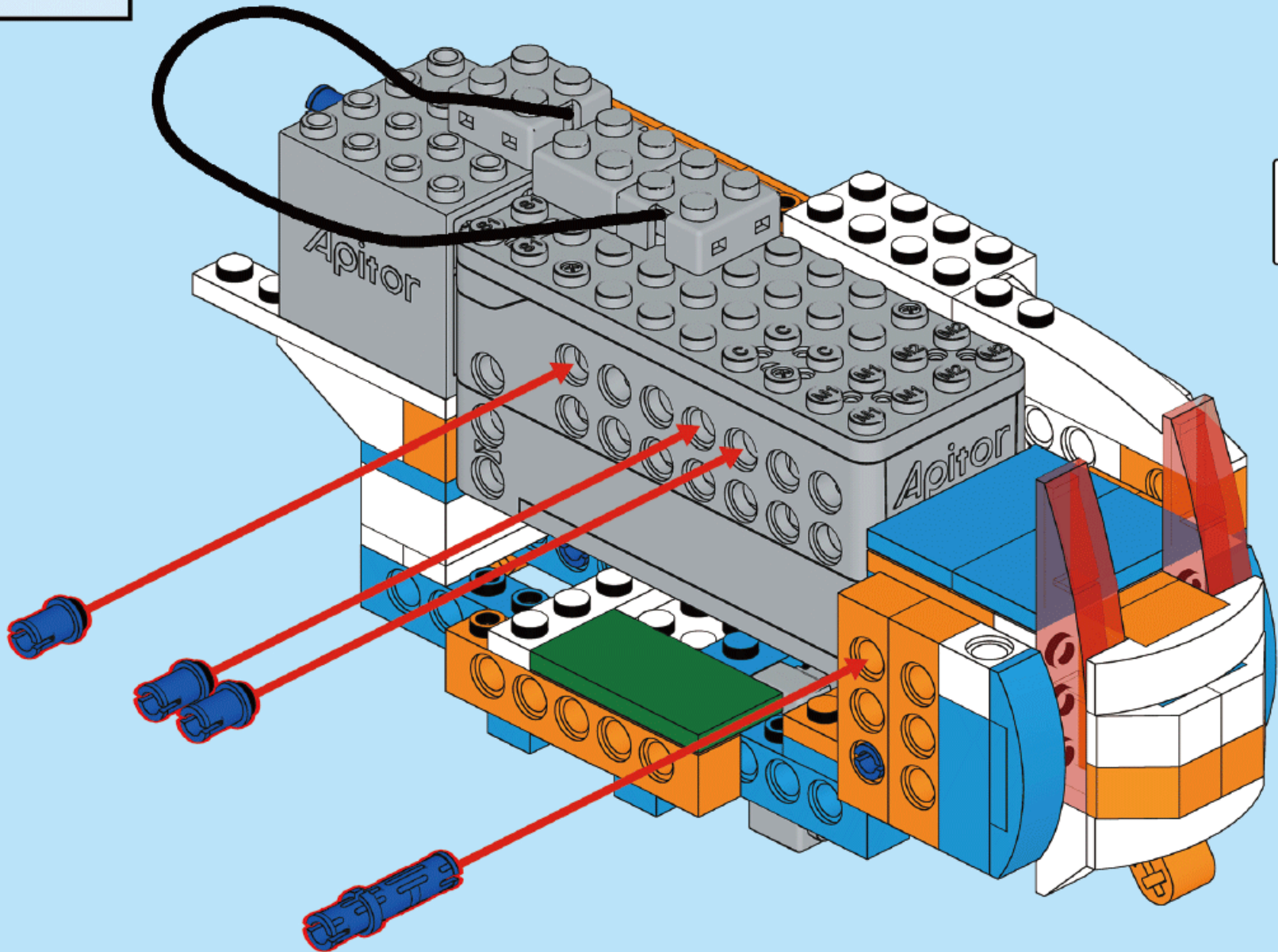
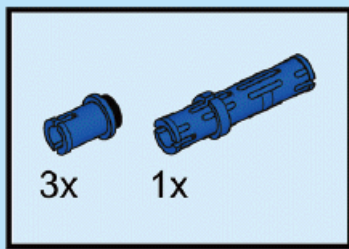




# 40

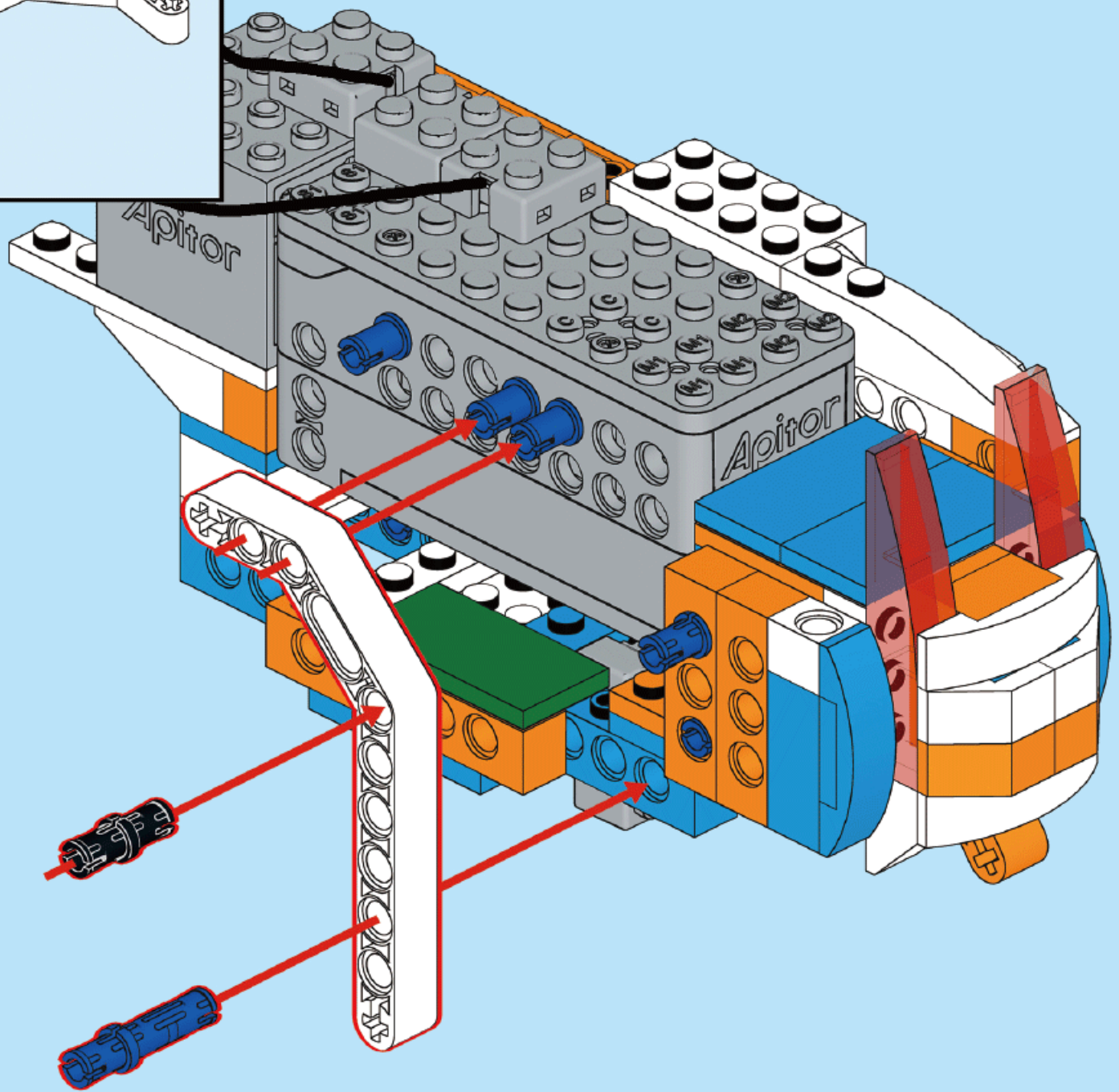
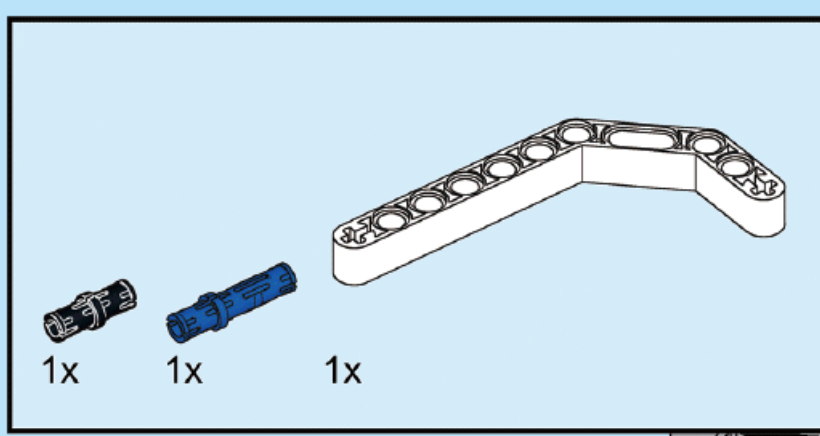


# 41



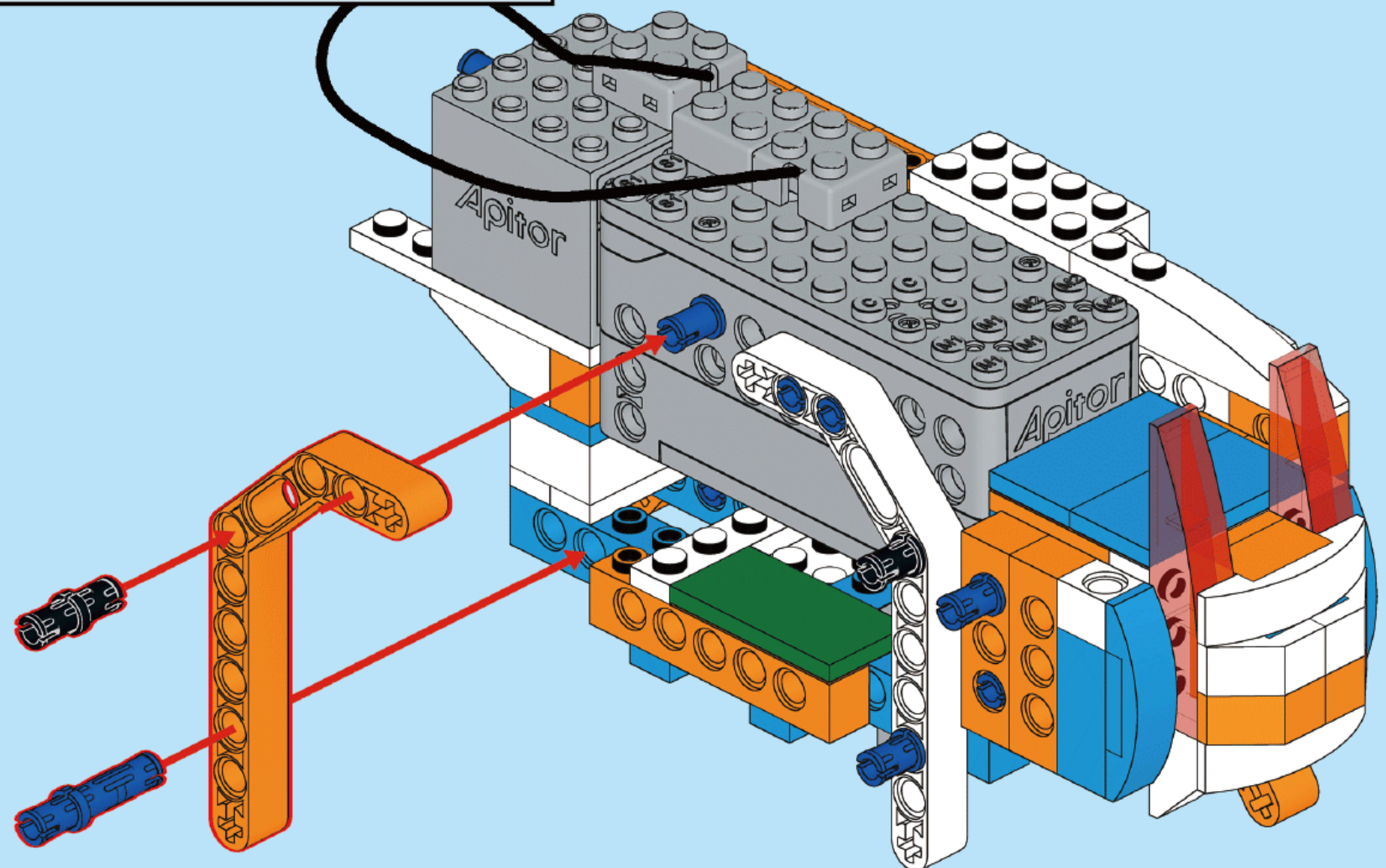
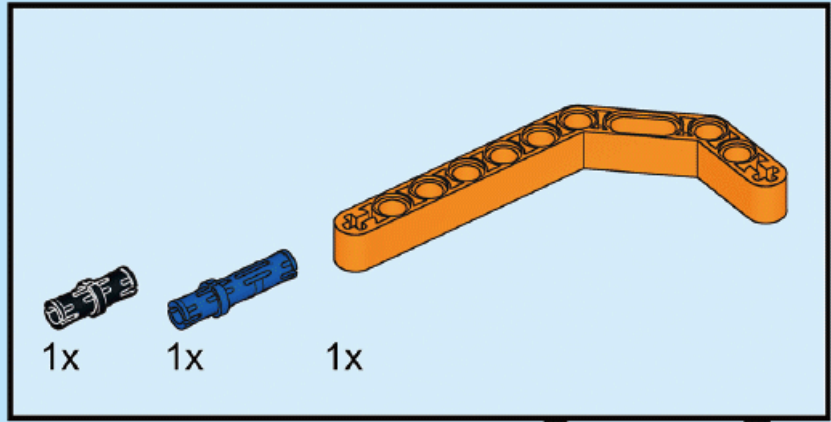


# 42

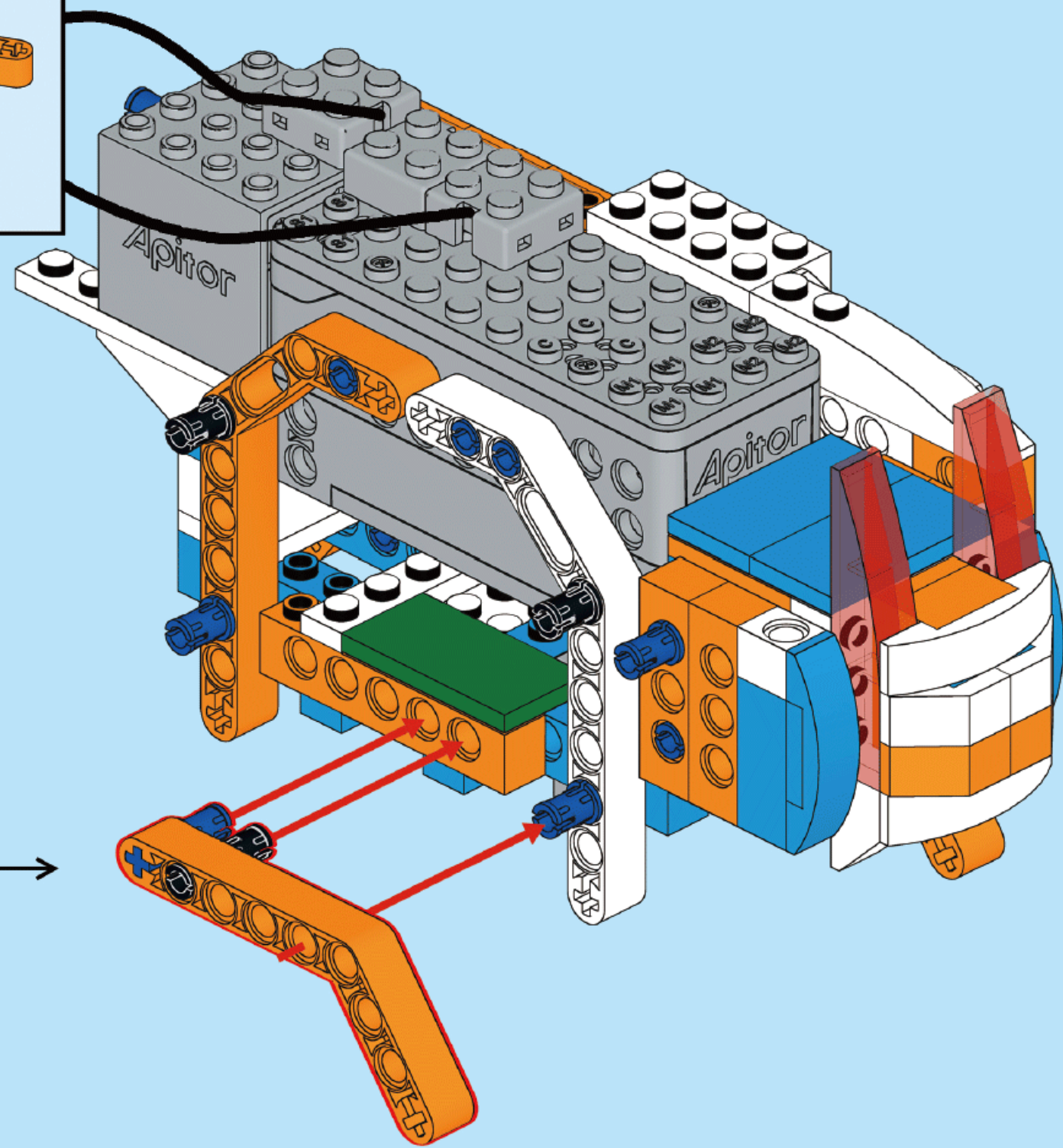
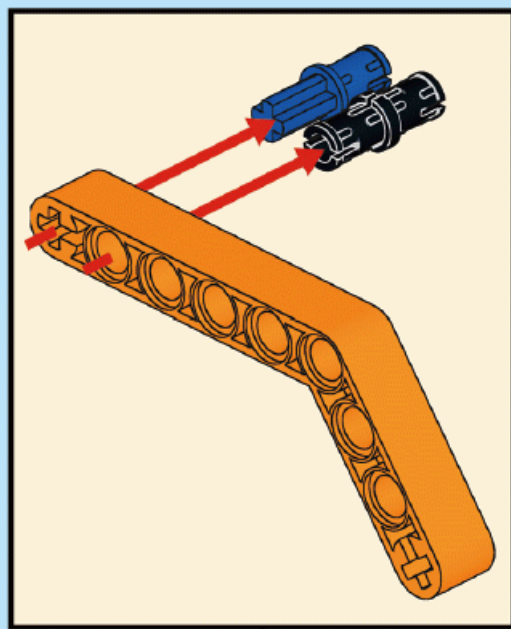
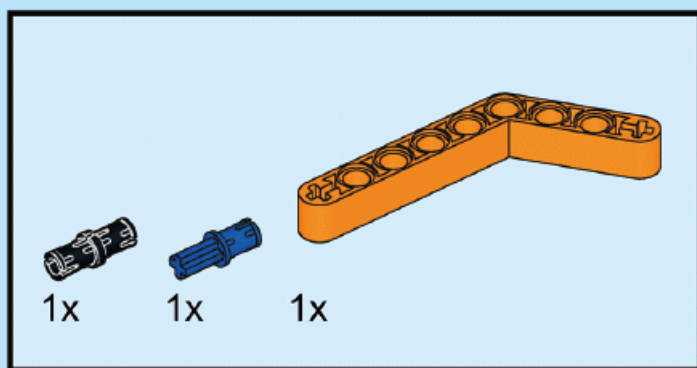




# 43

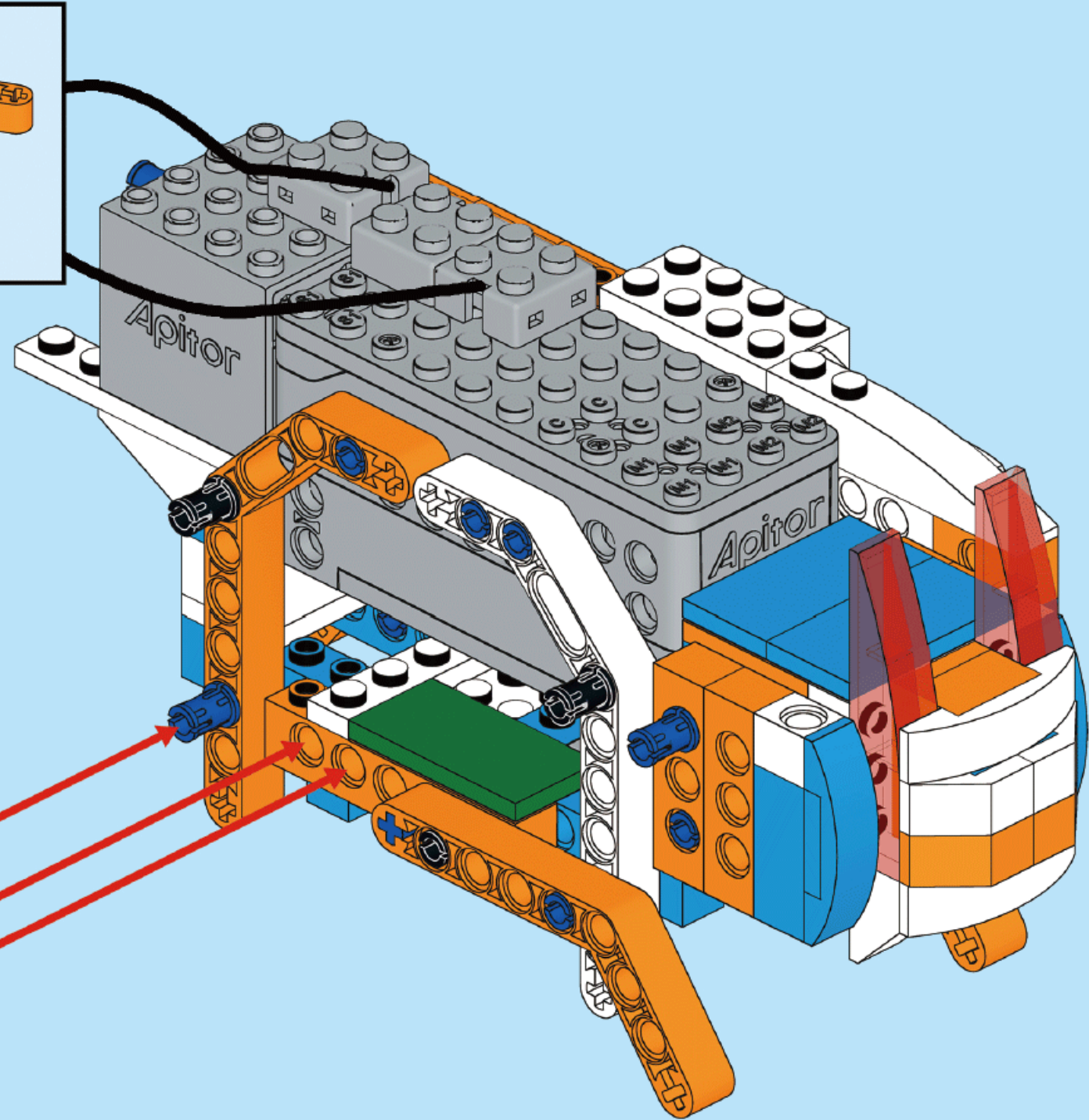
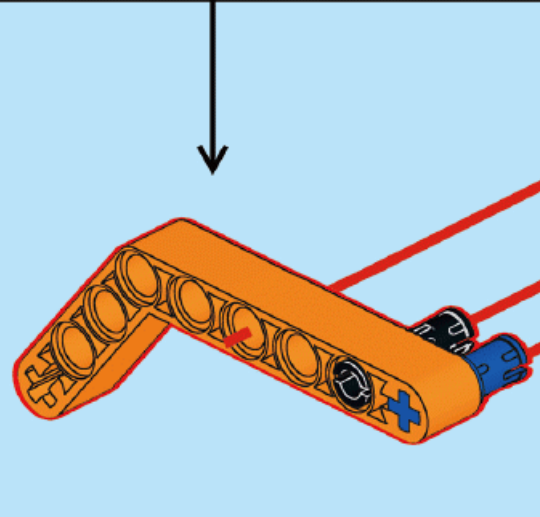
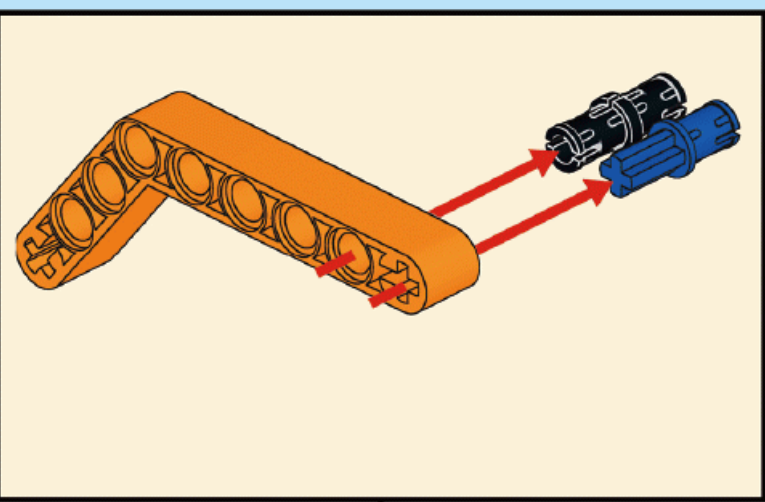
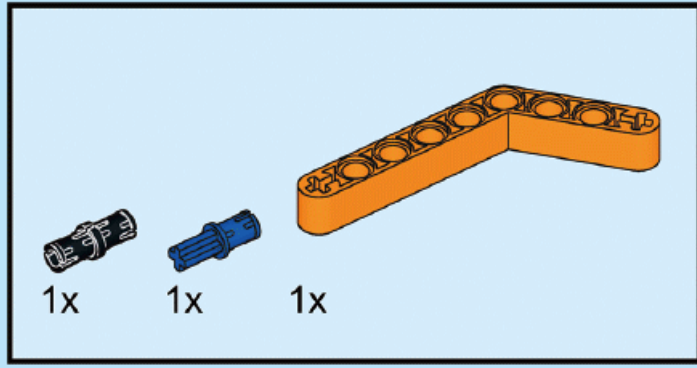


# 44

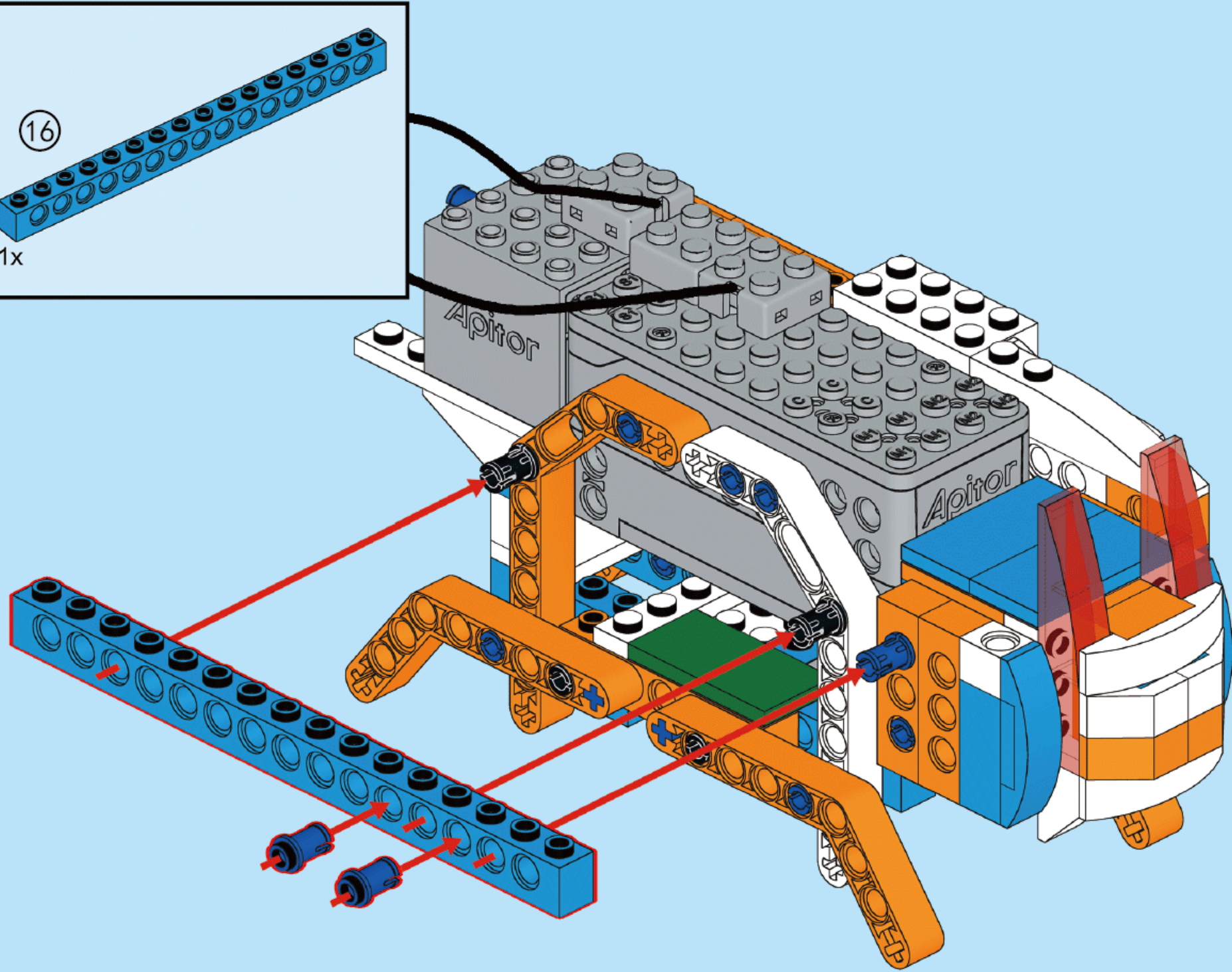
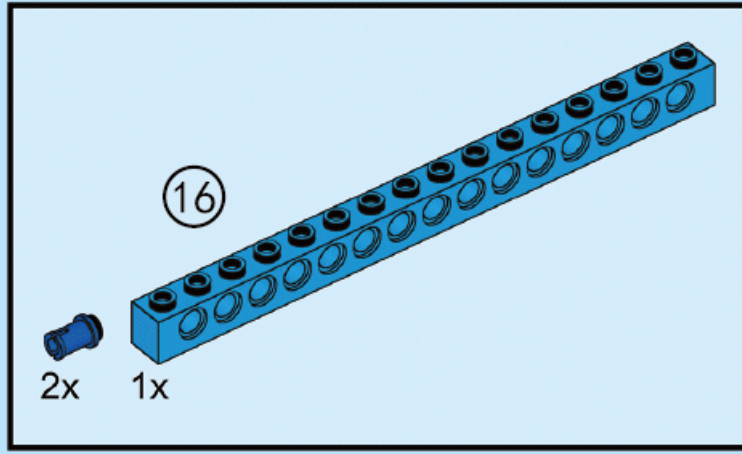




# 45

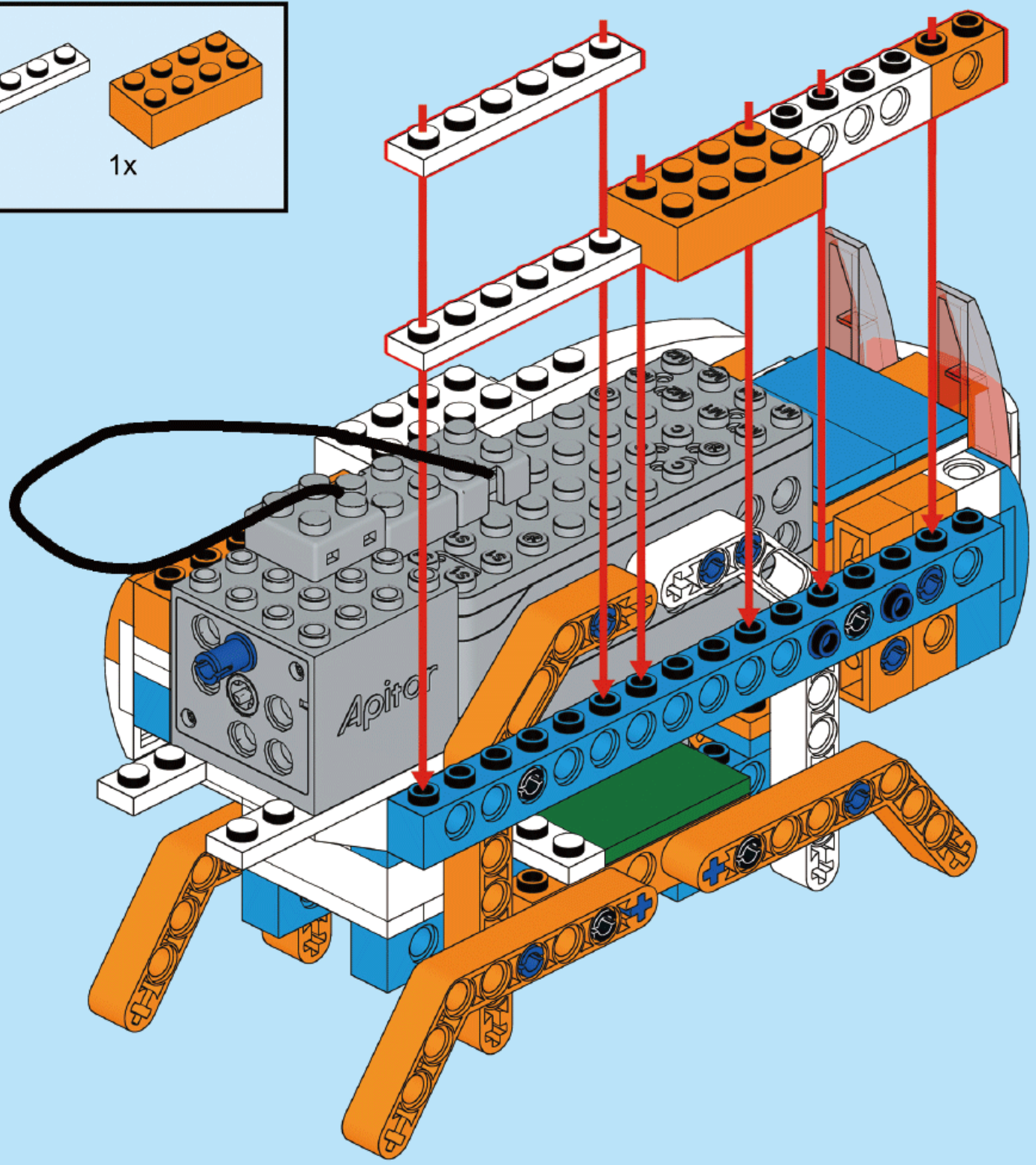
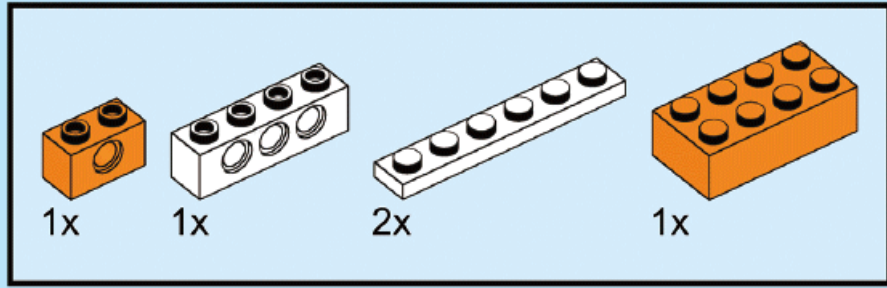


# 46

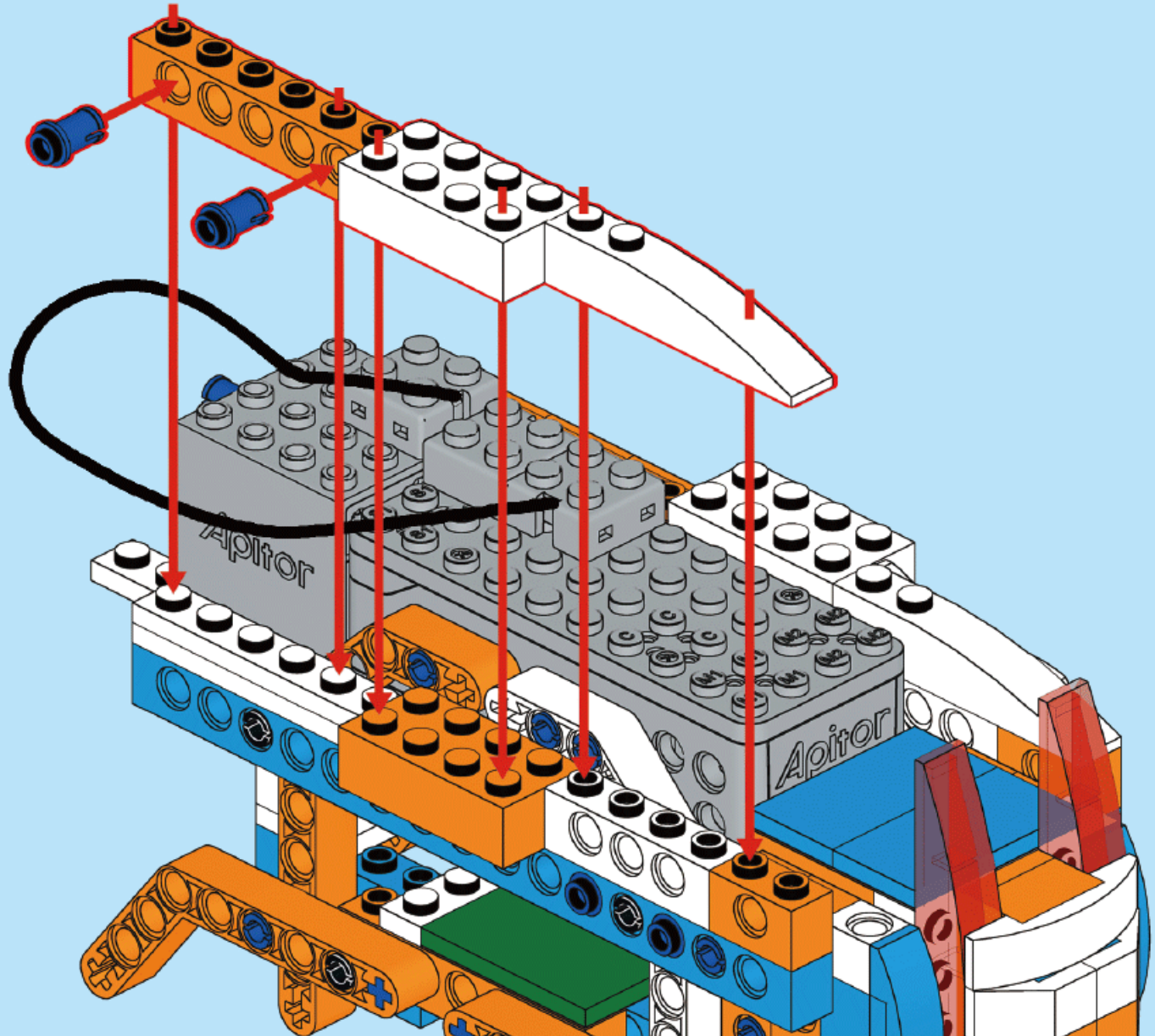
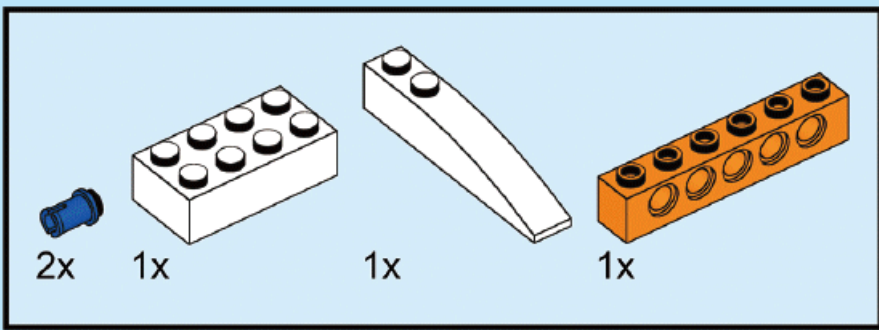




# 47

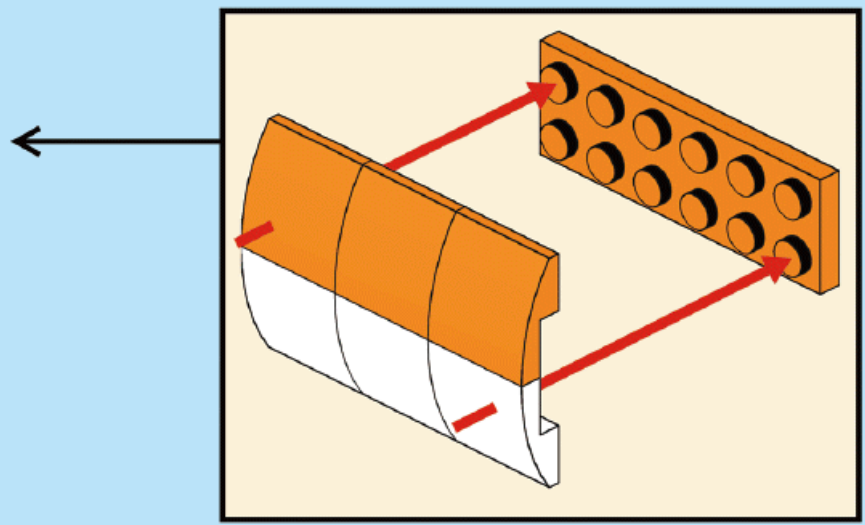
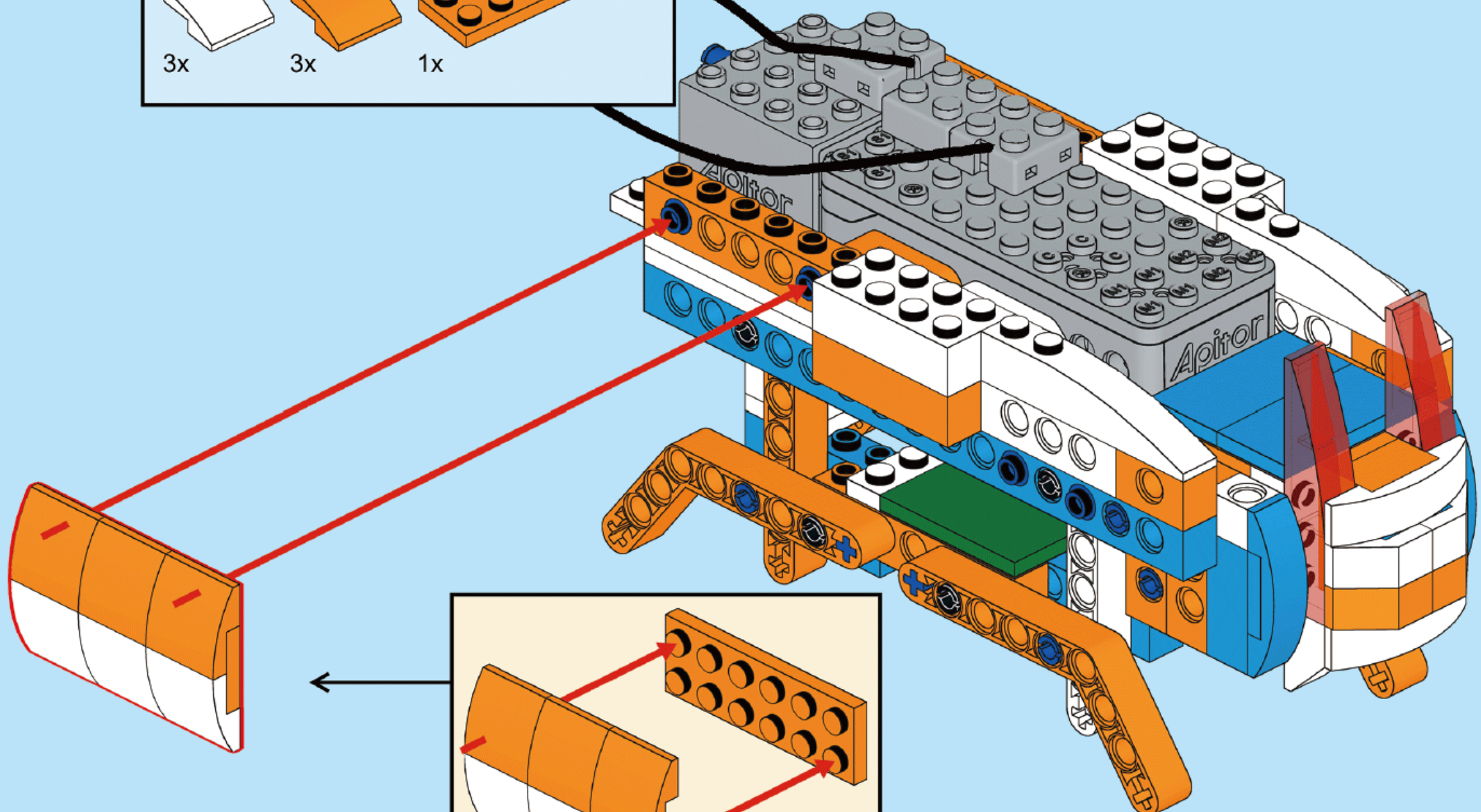
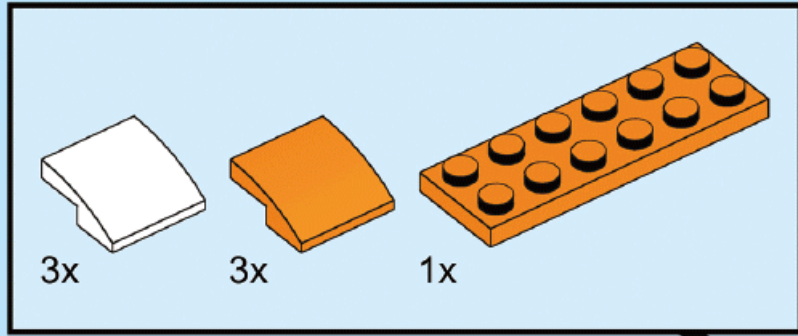


# 48

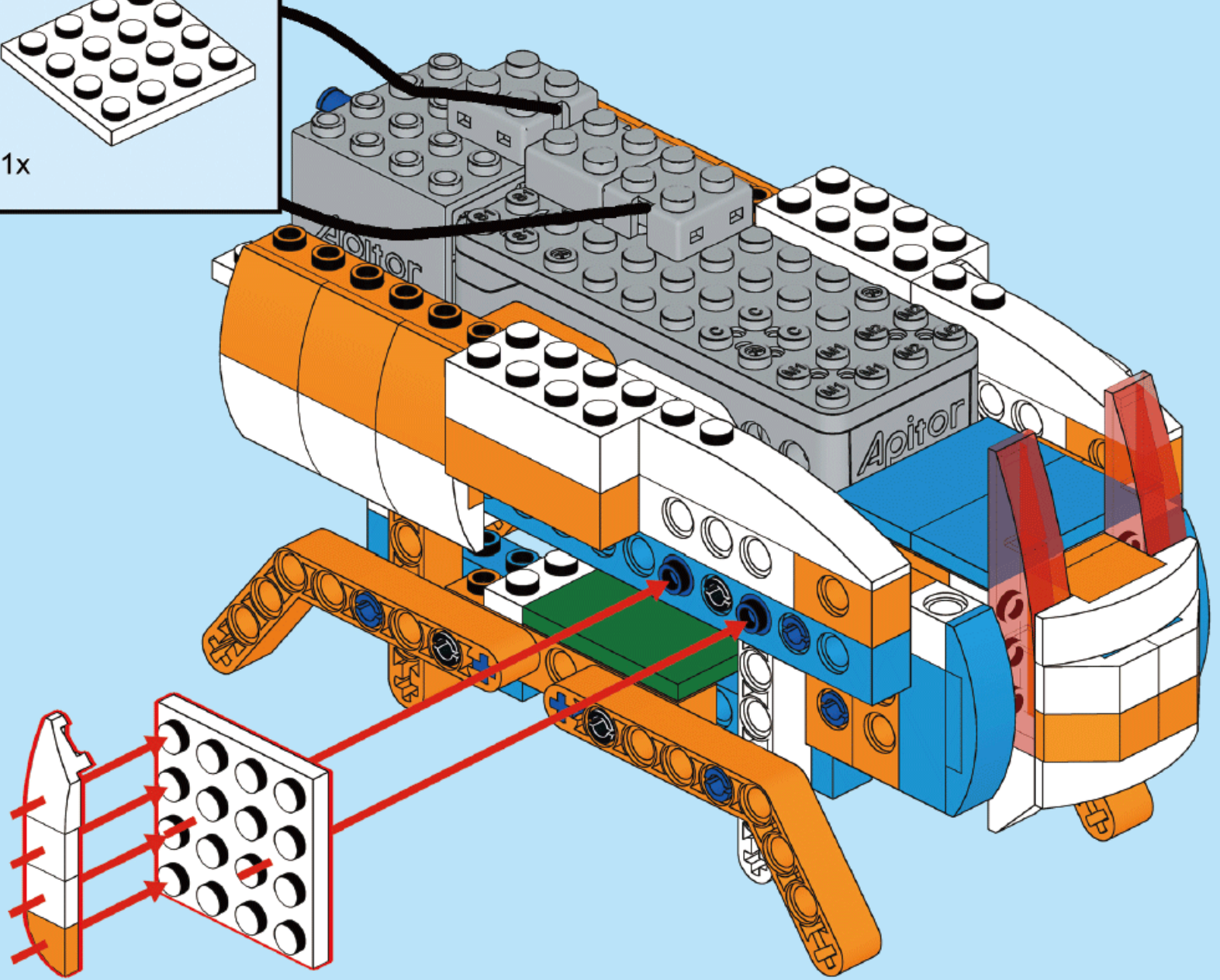
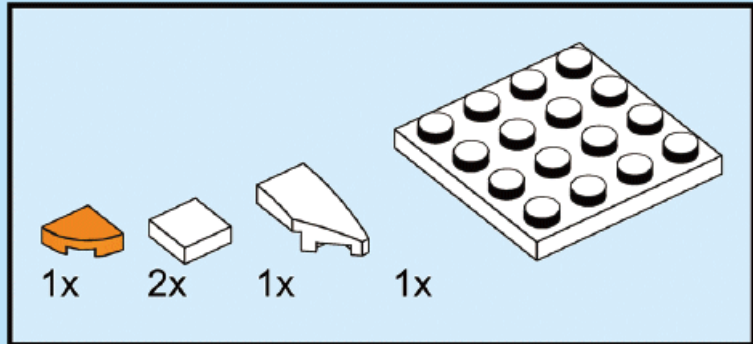




# 49

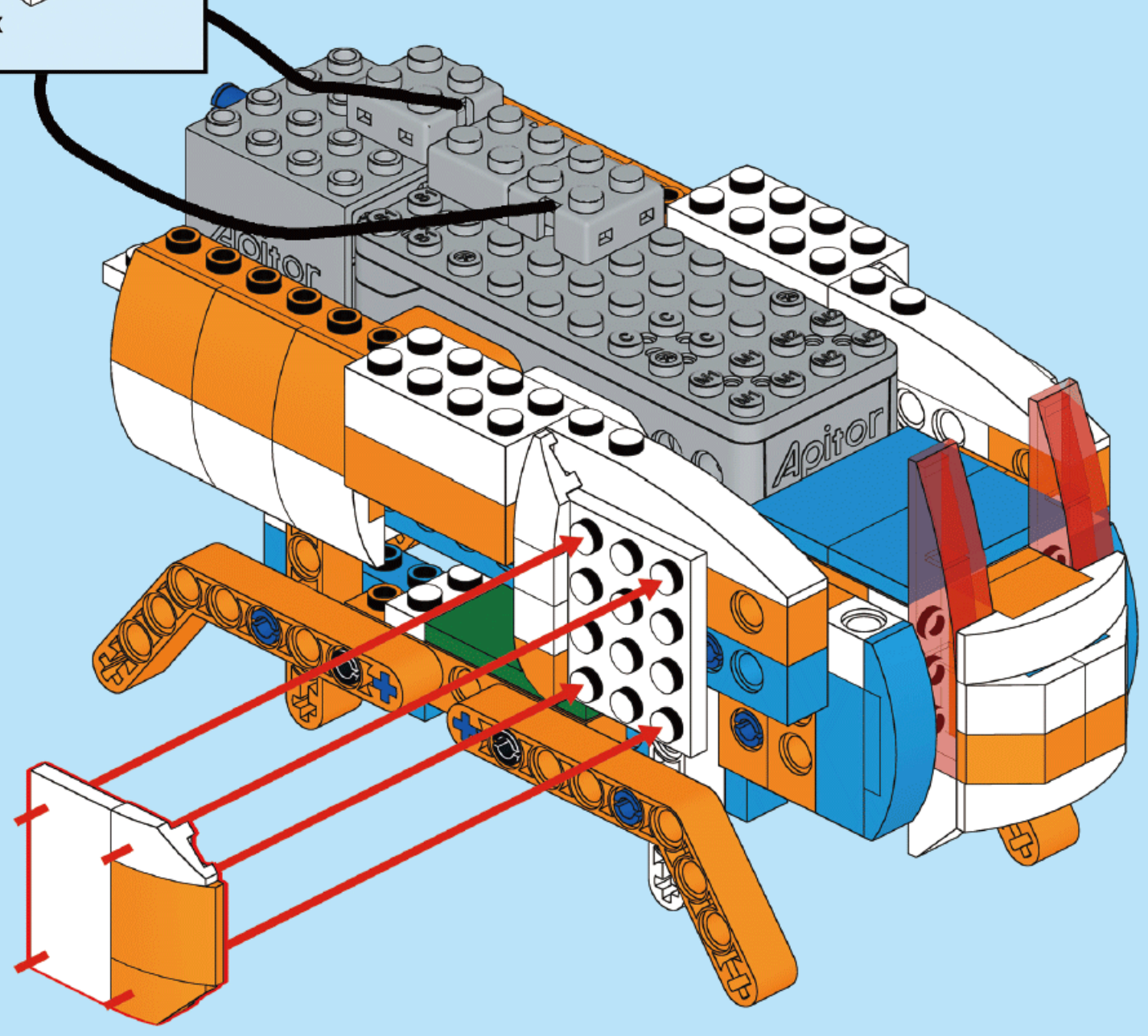
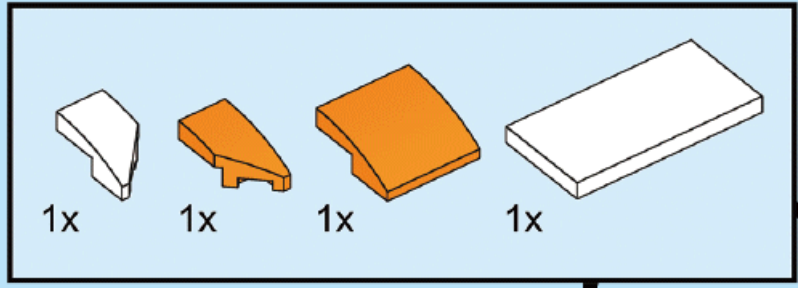


# 50

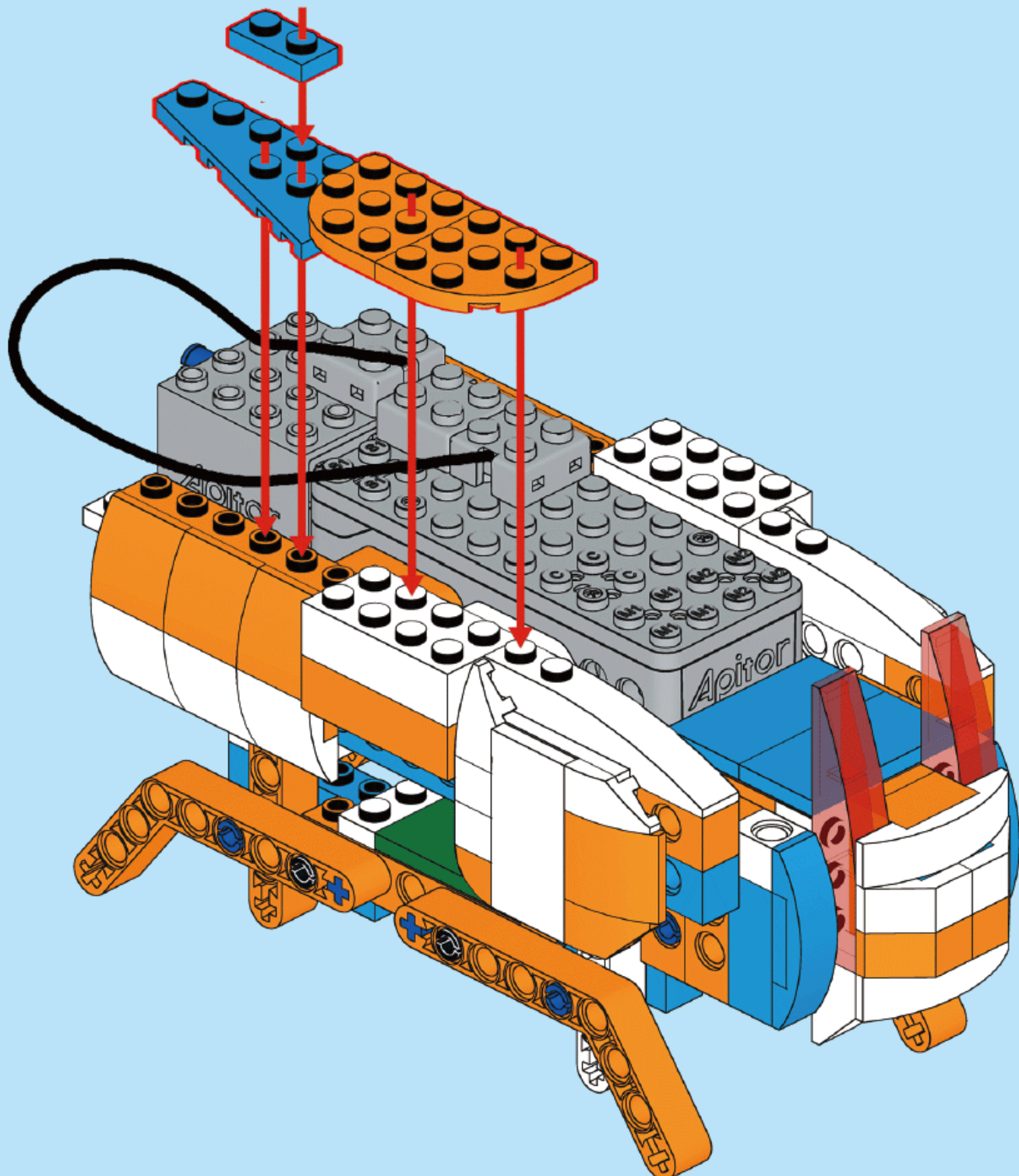
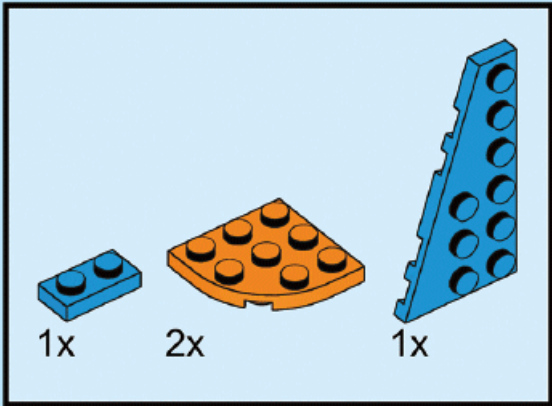




# 51

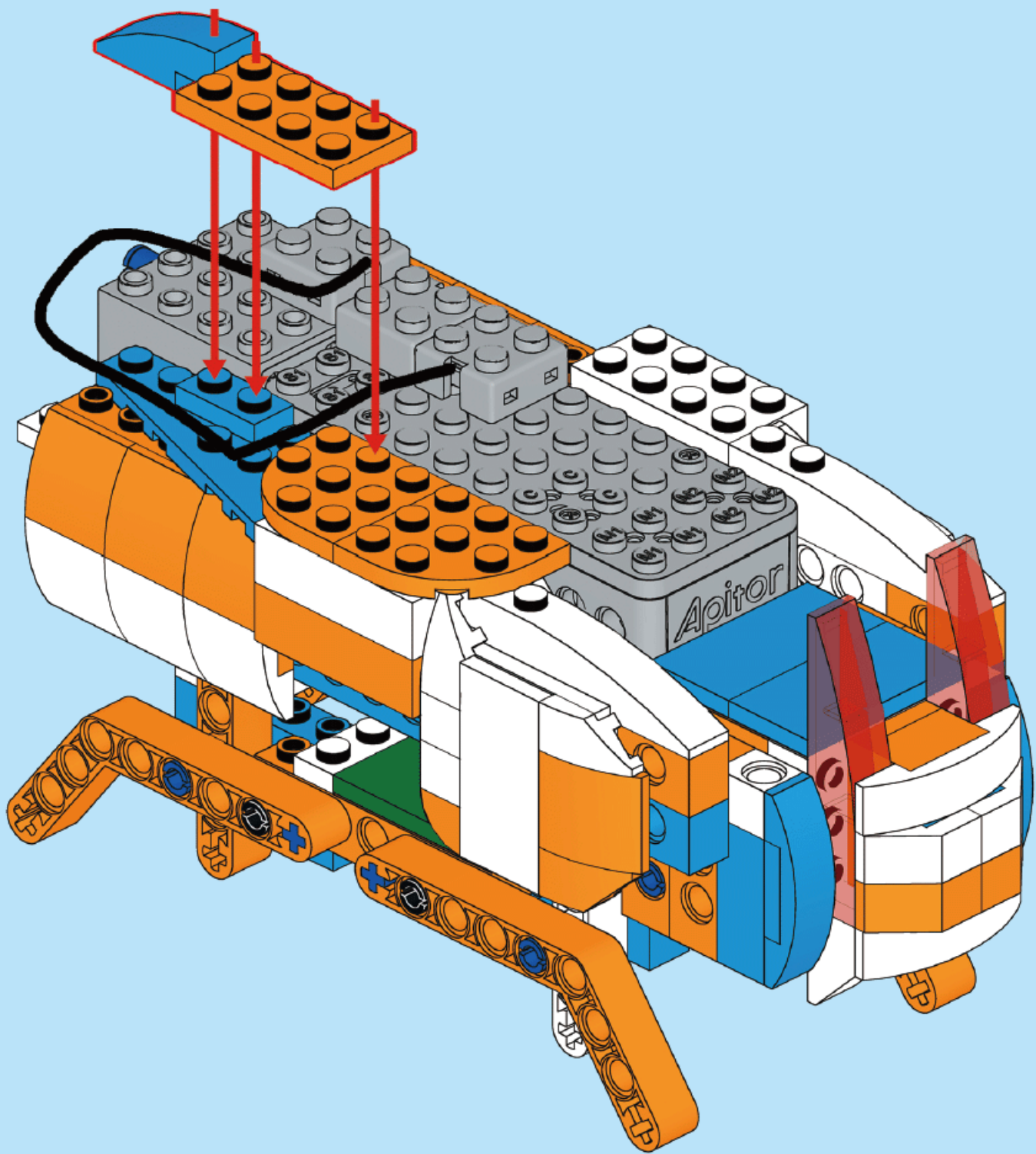
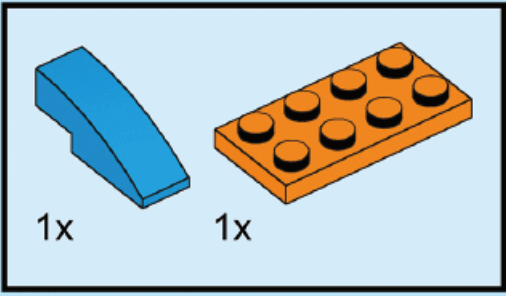


# 52



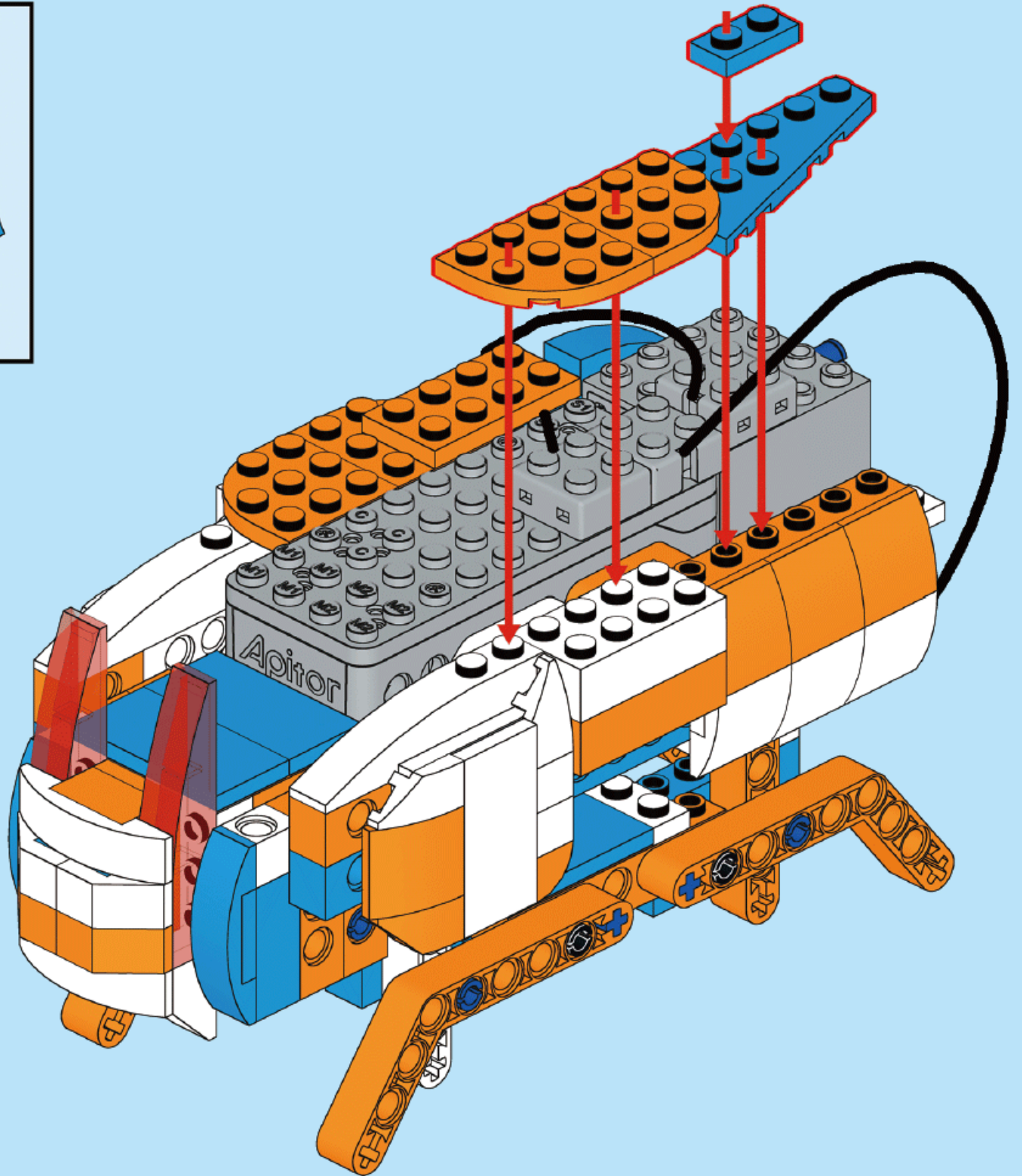
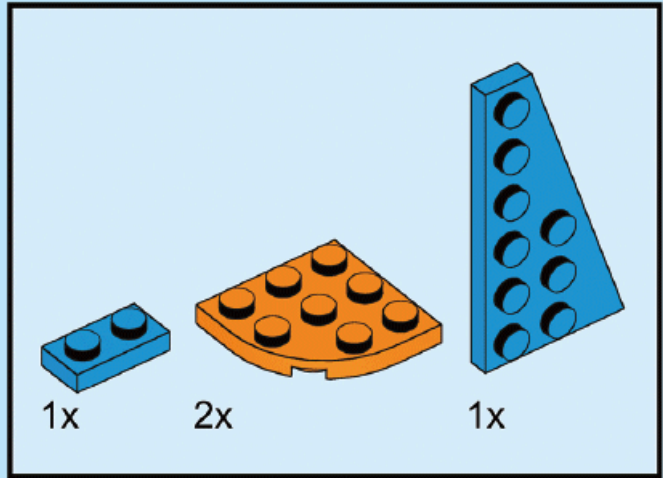


# 53

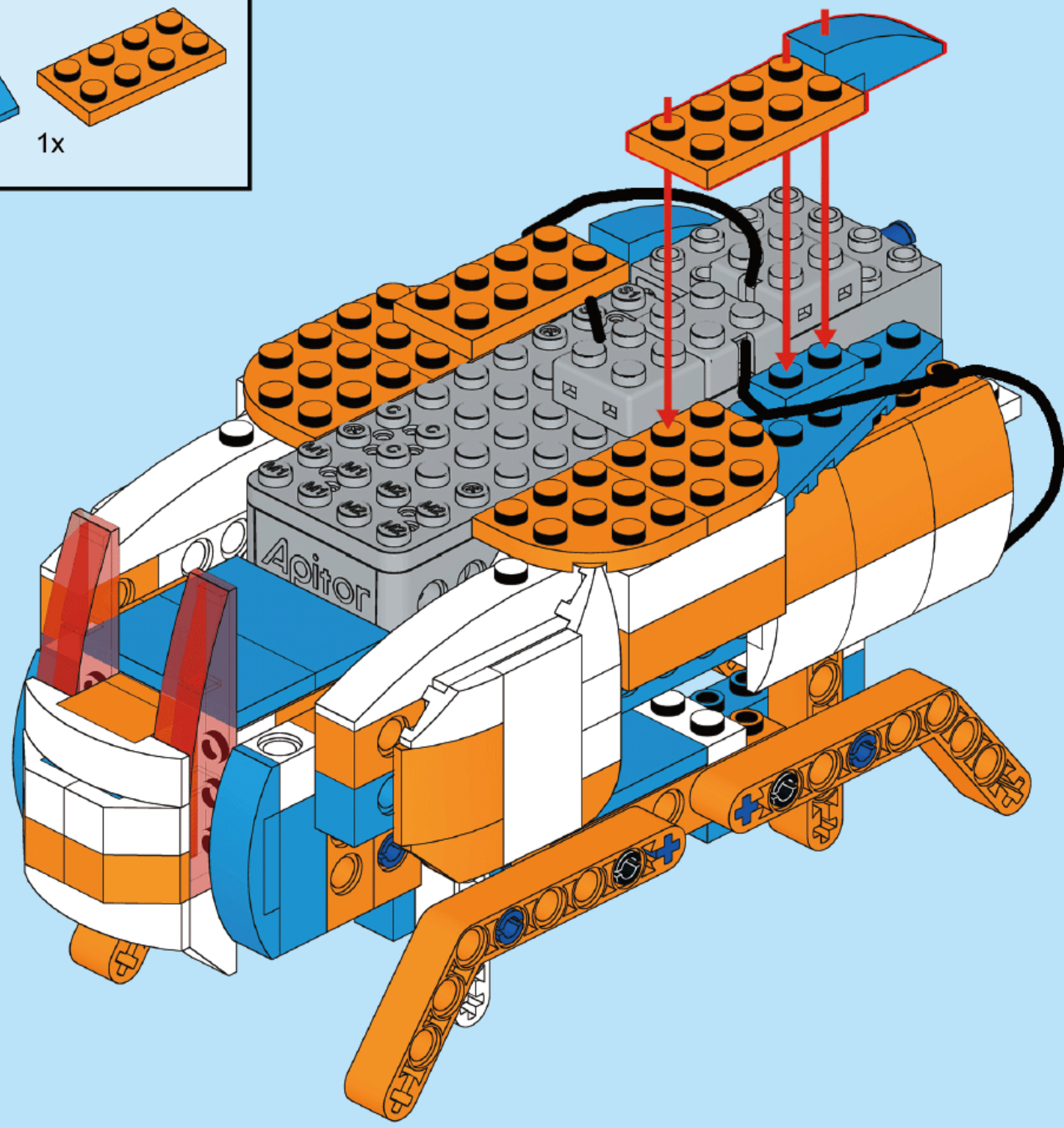
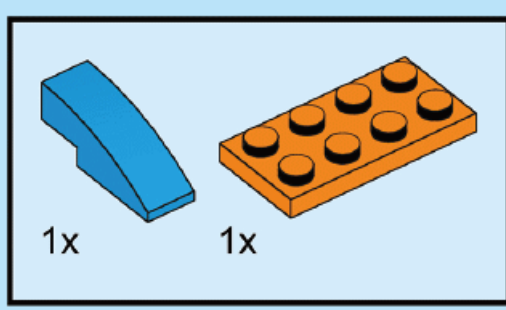




# 54

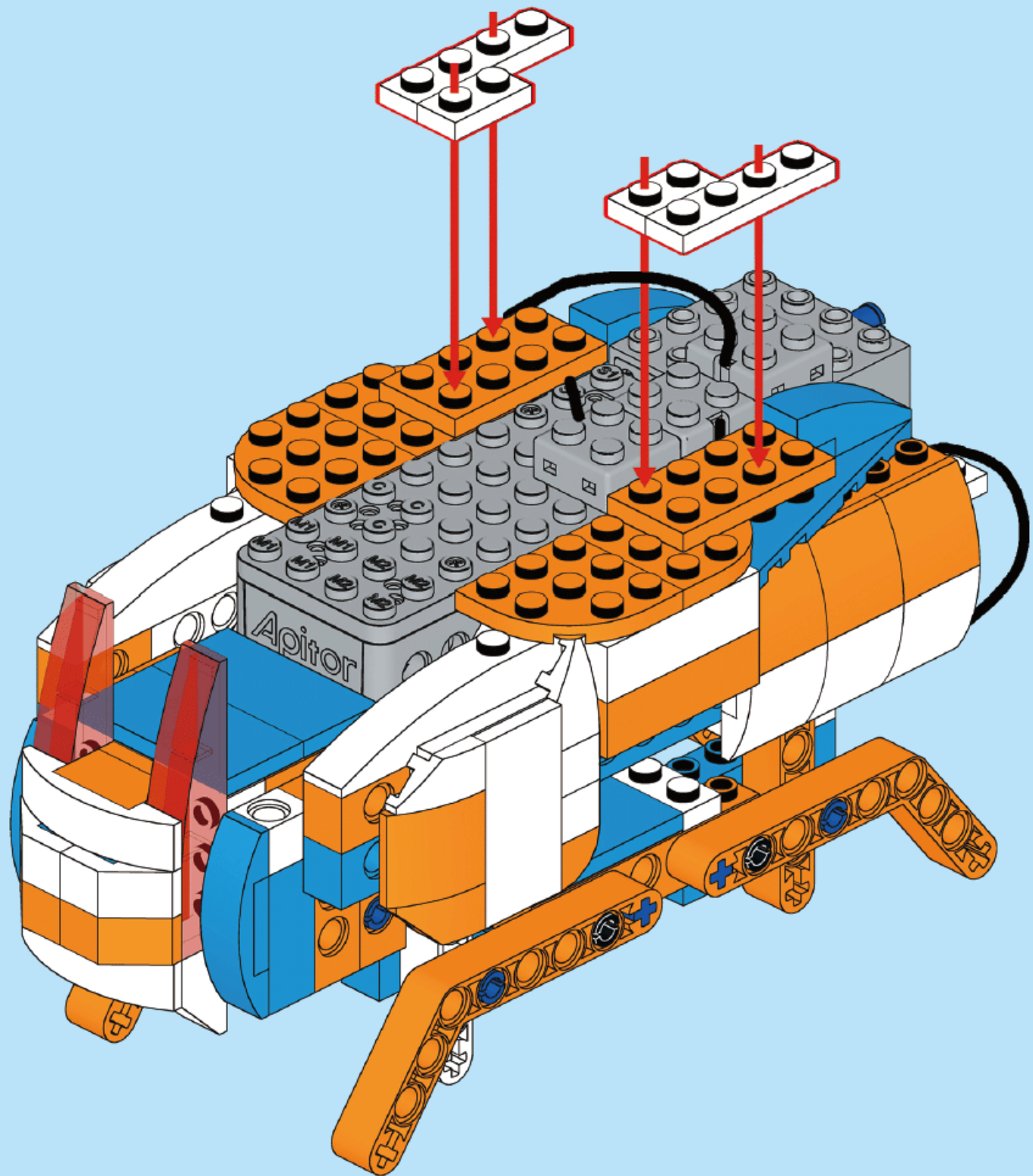
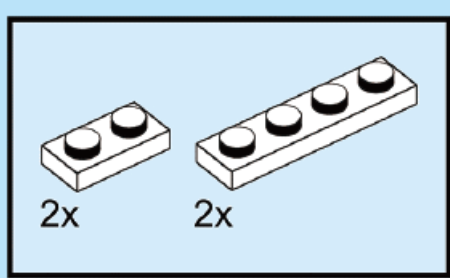


# 55

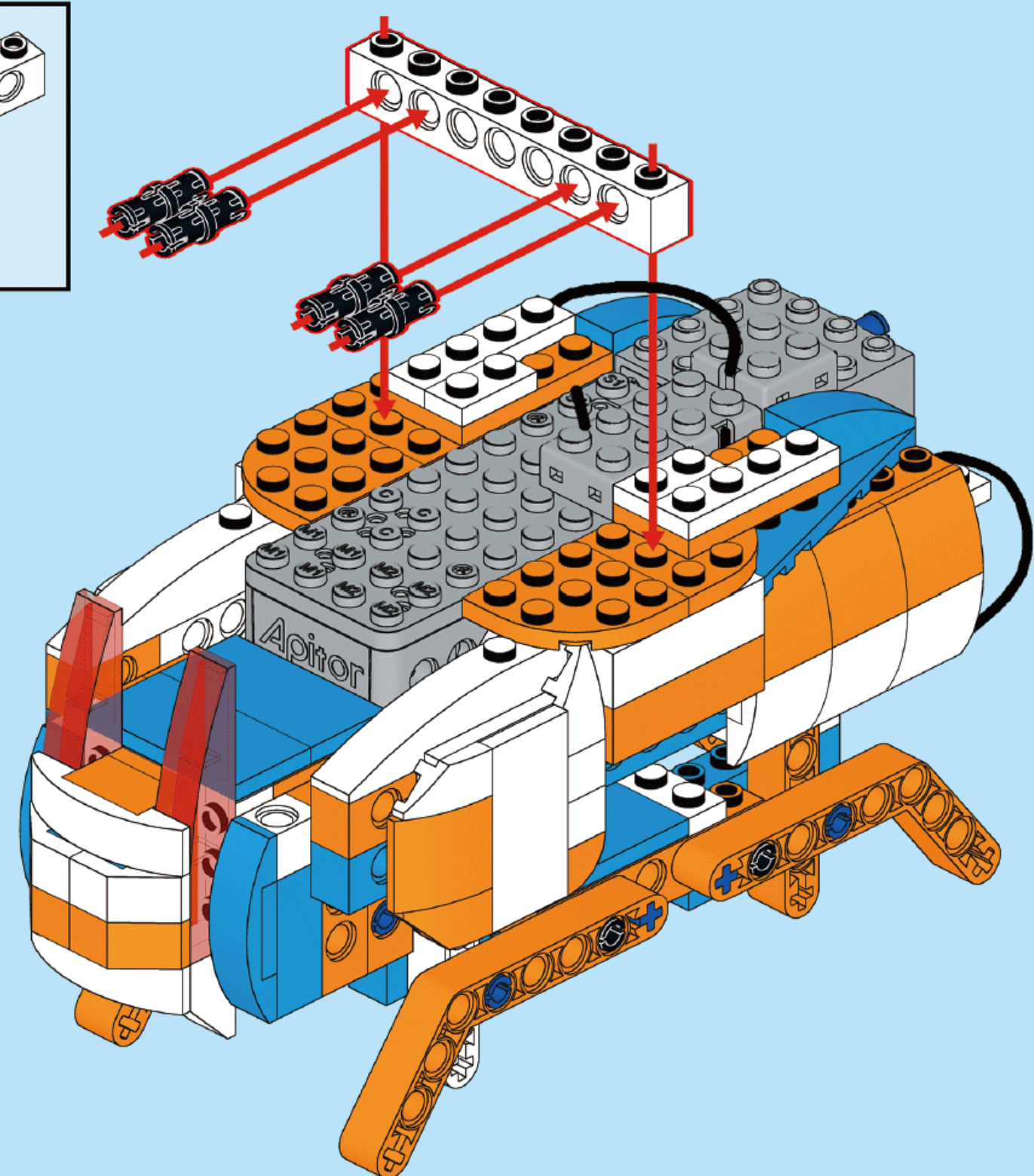
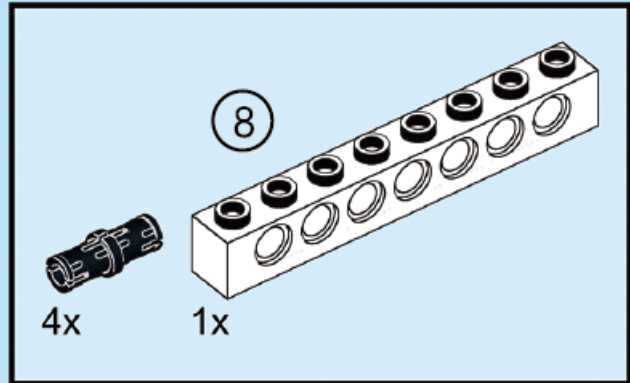




# 56

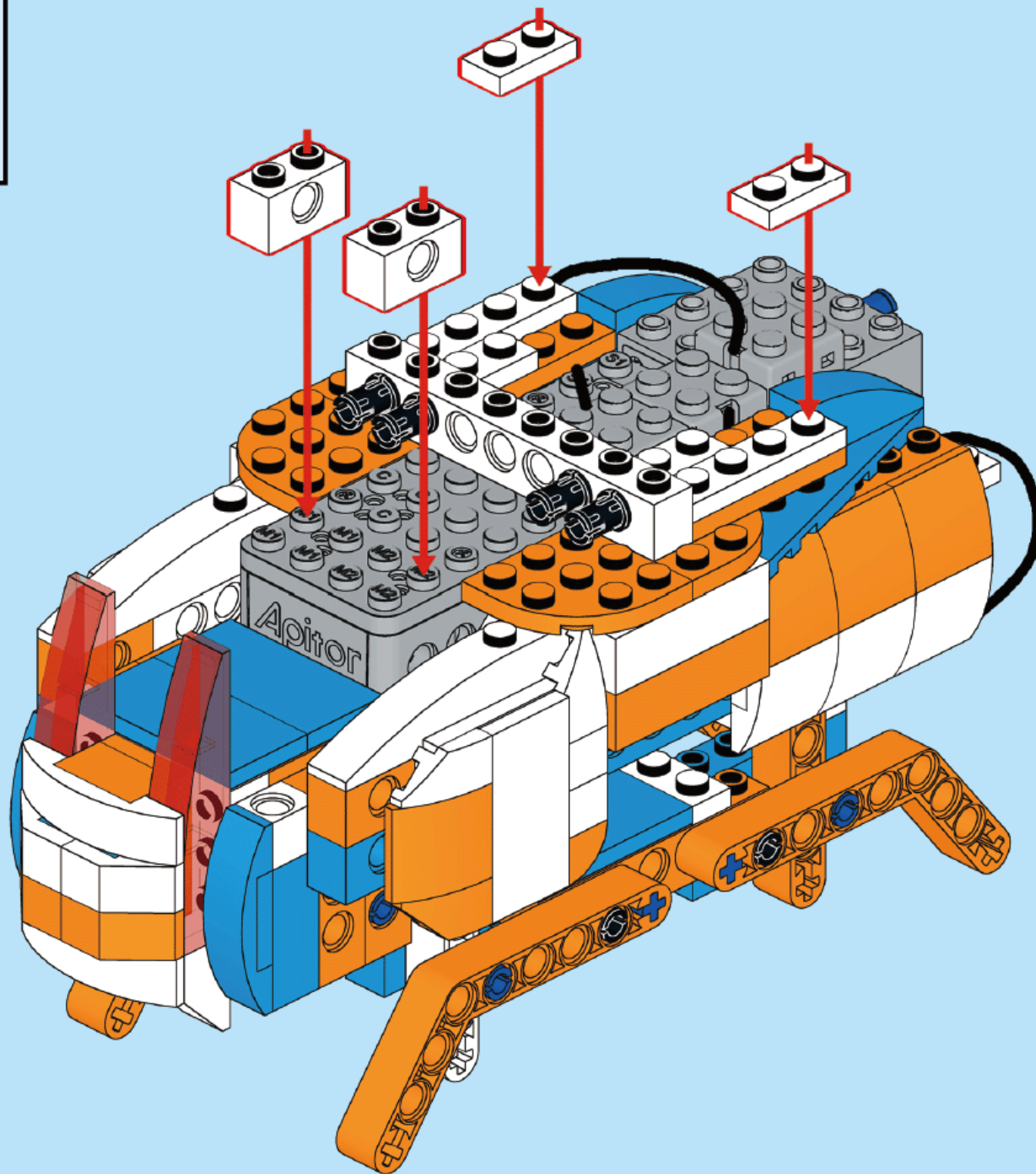
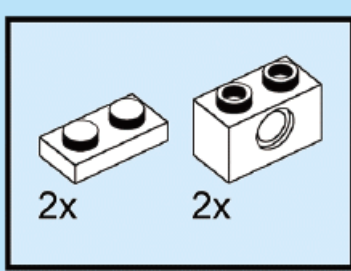


# 57

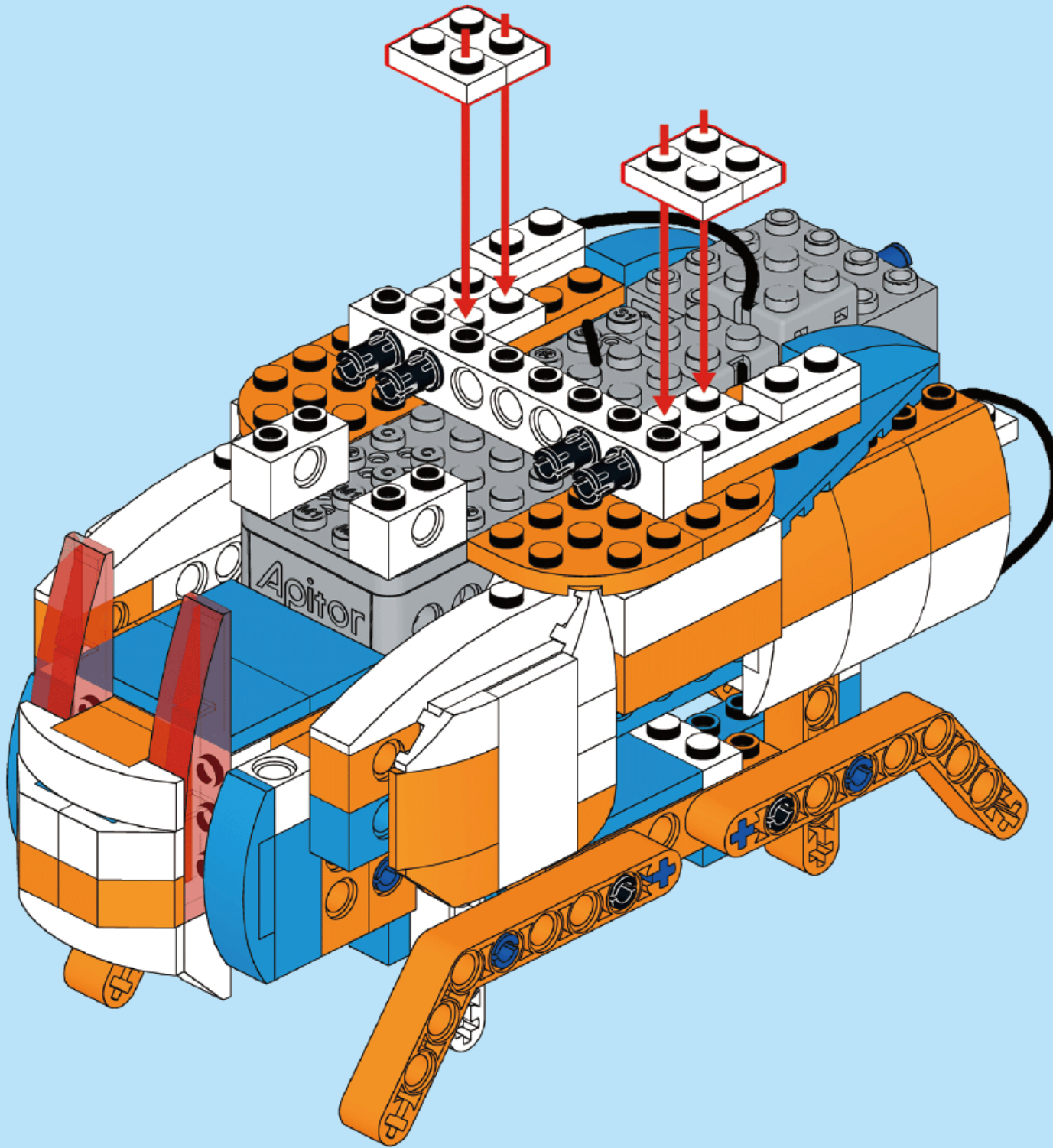
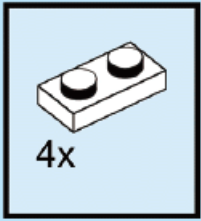




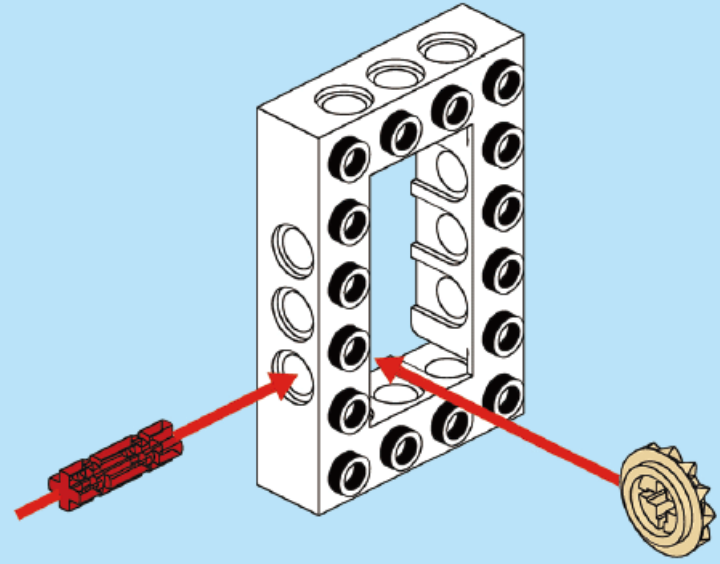
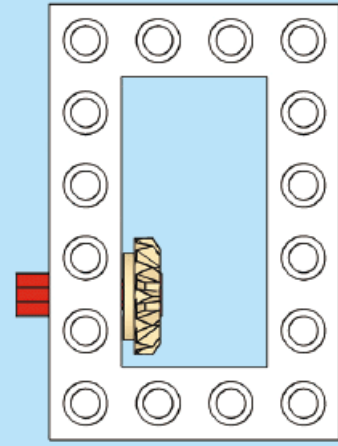
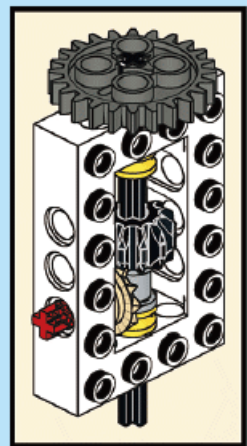
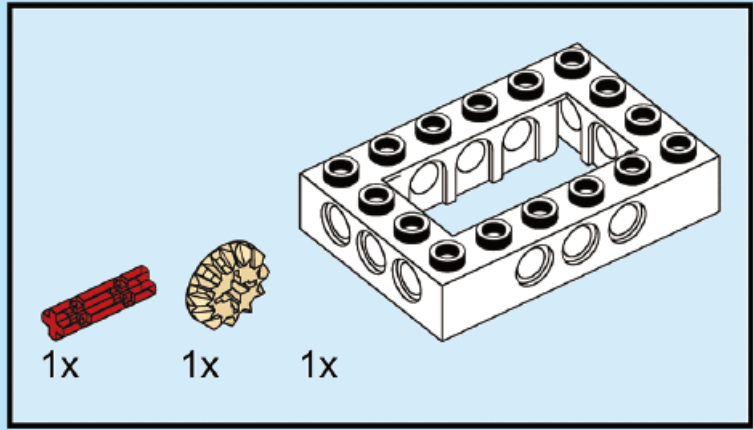
# 58



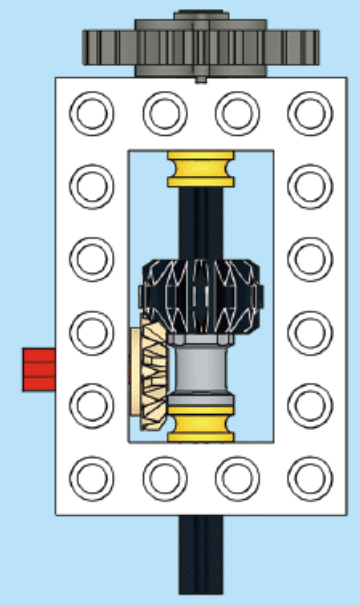
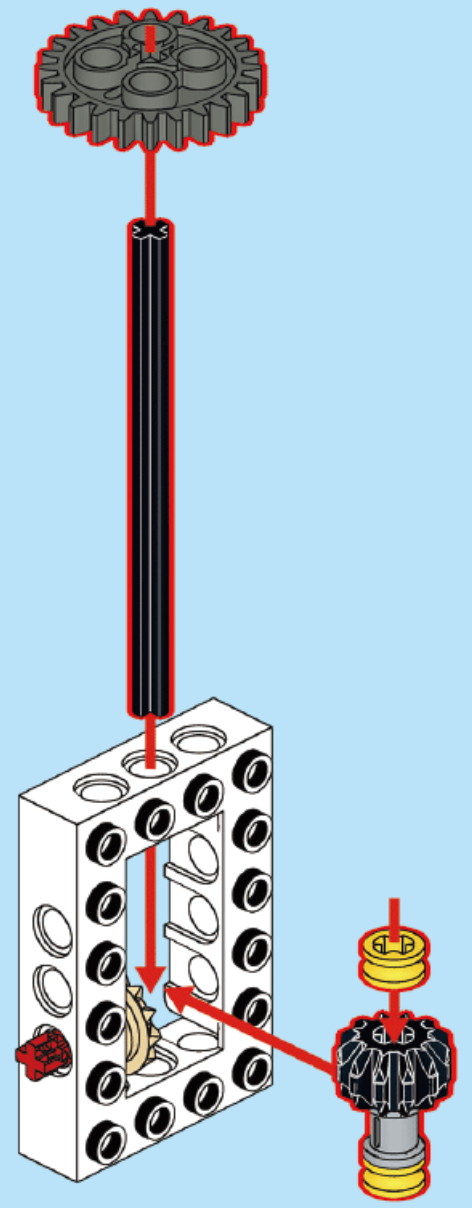
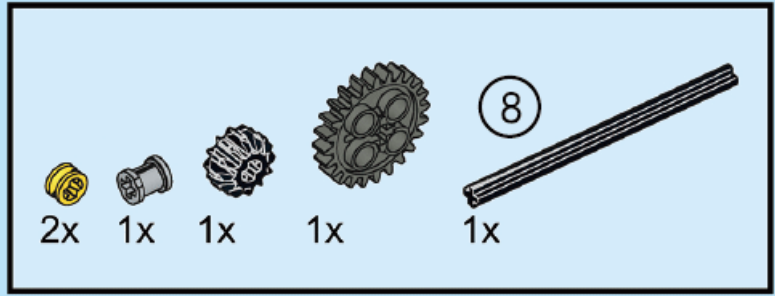
# 59



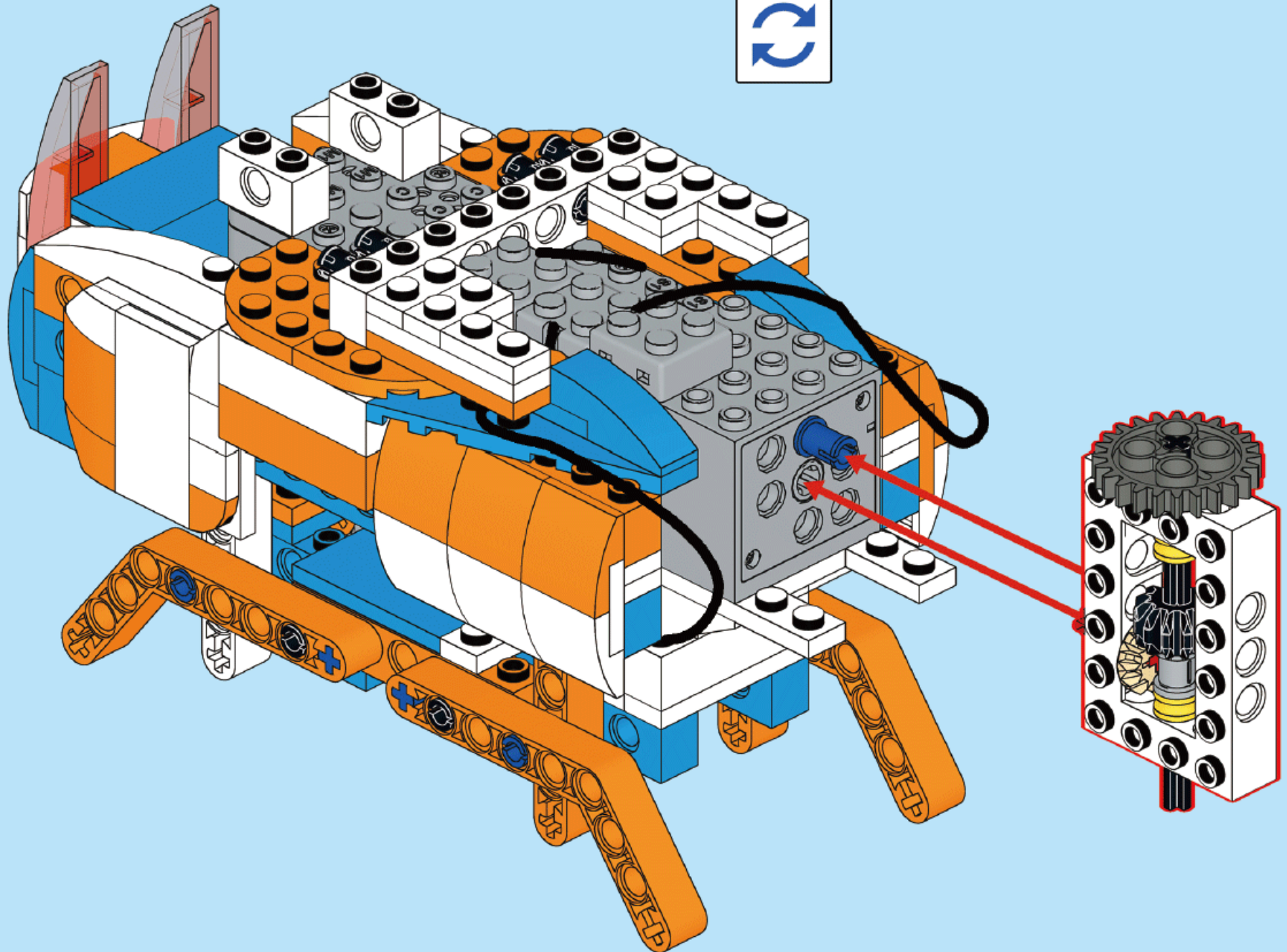
# 60



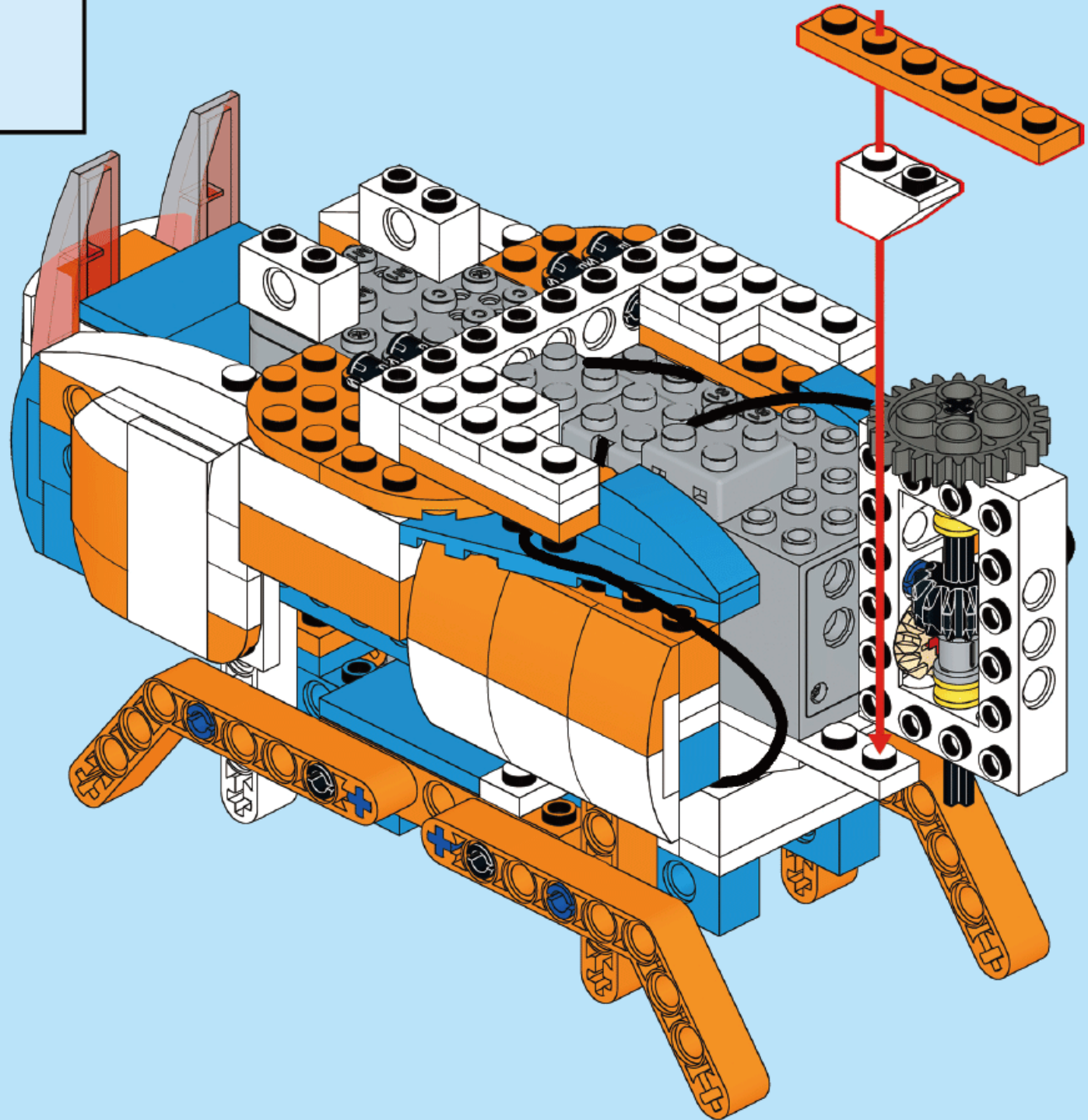
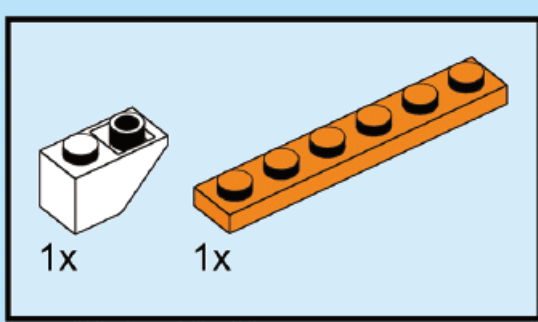
# 61





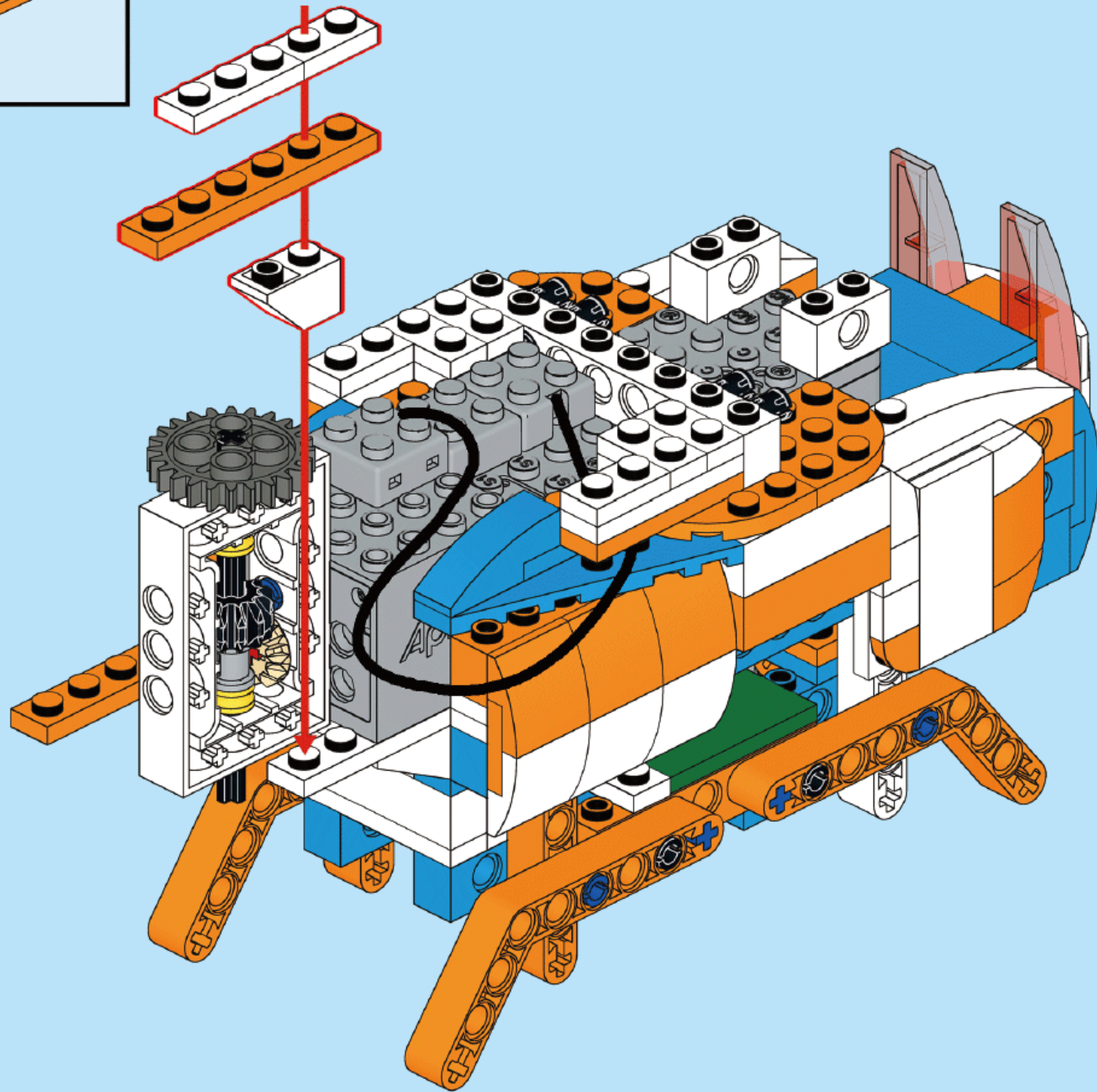
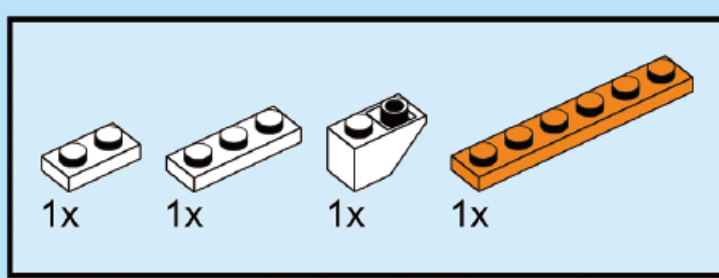


# 63



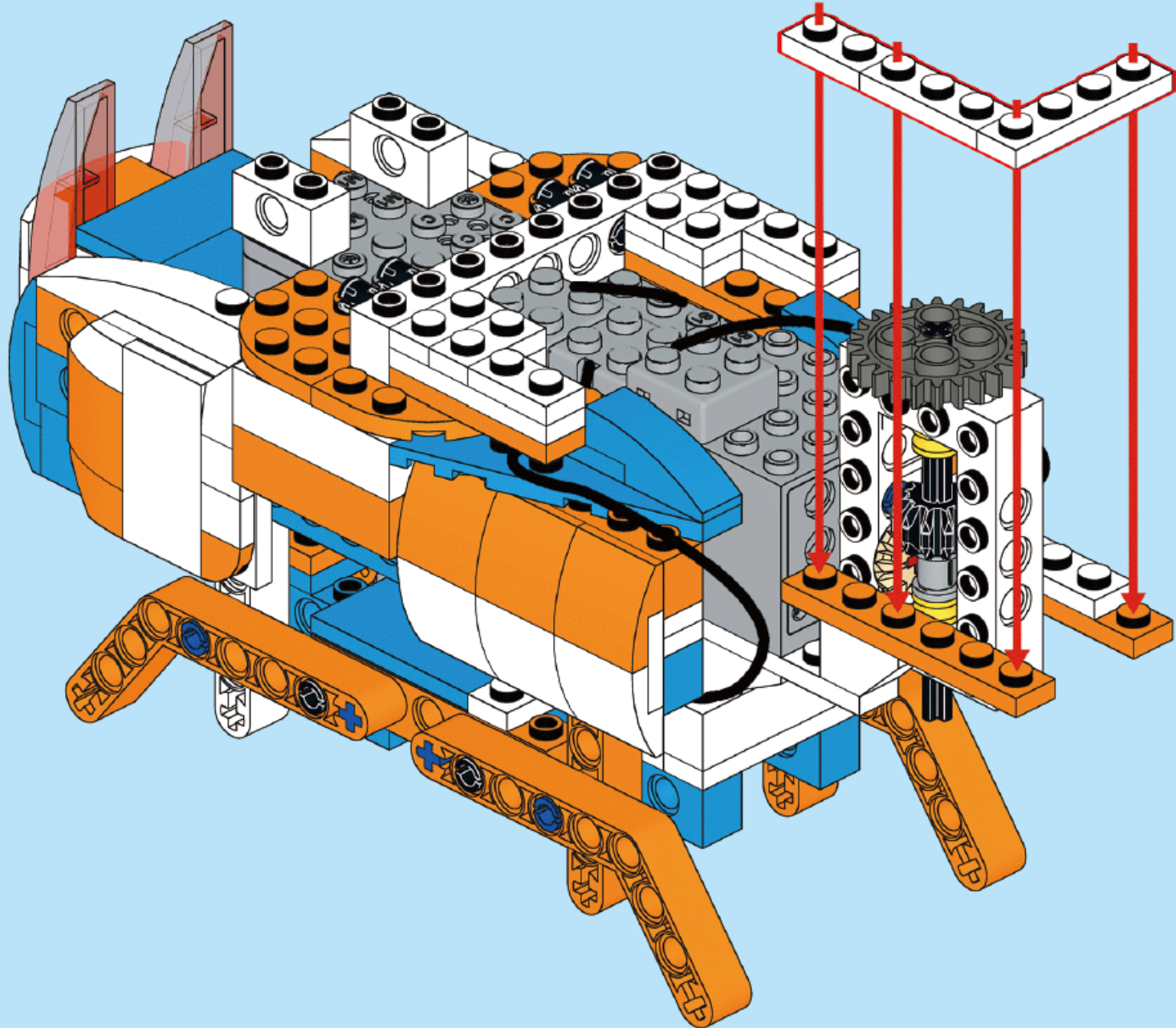
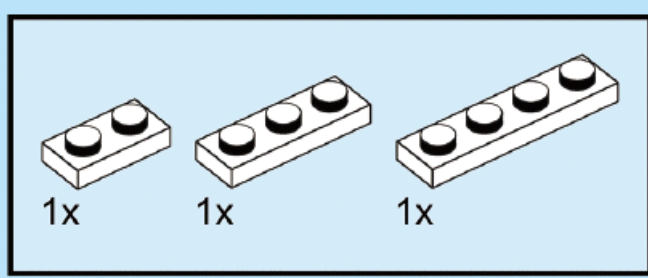


# 64

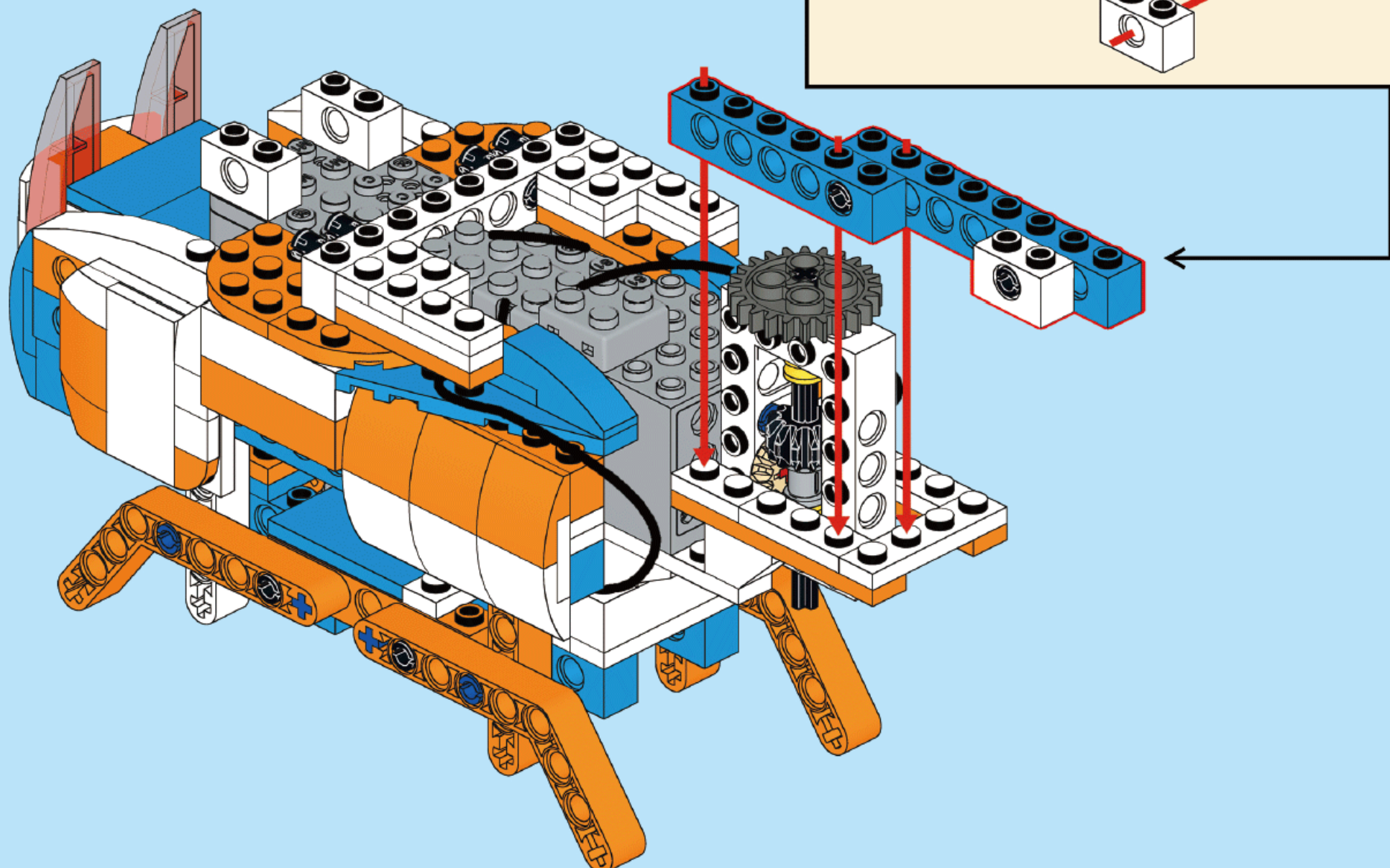
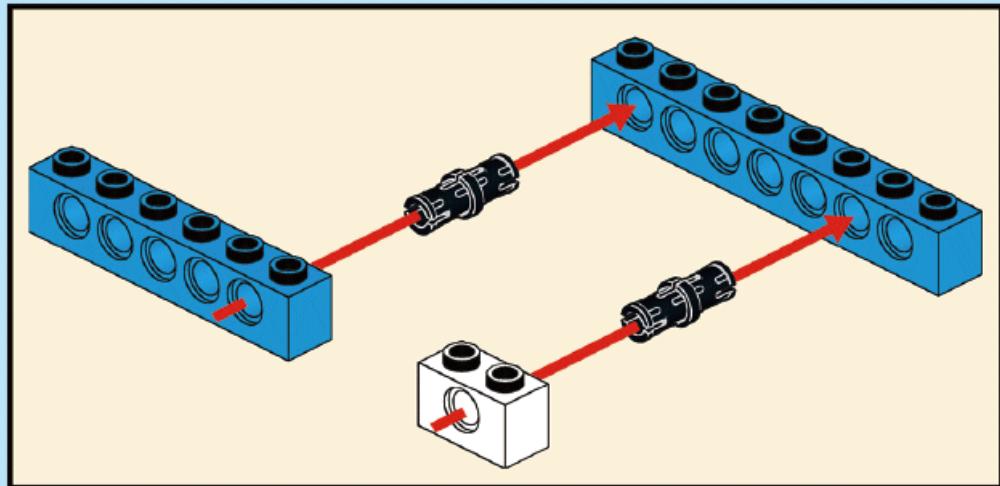
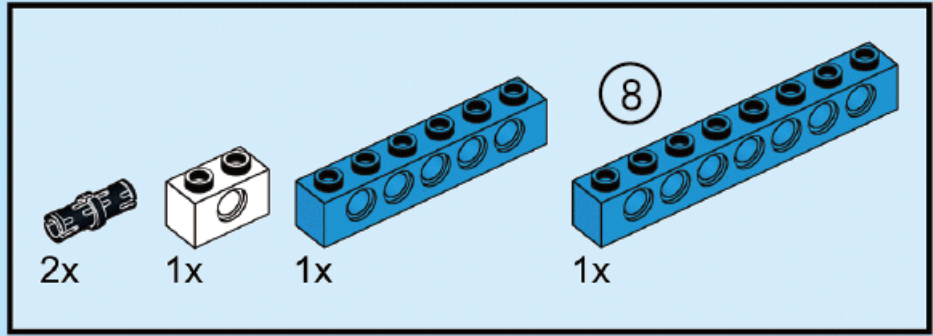




# 65

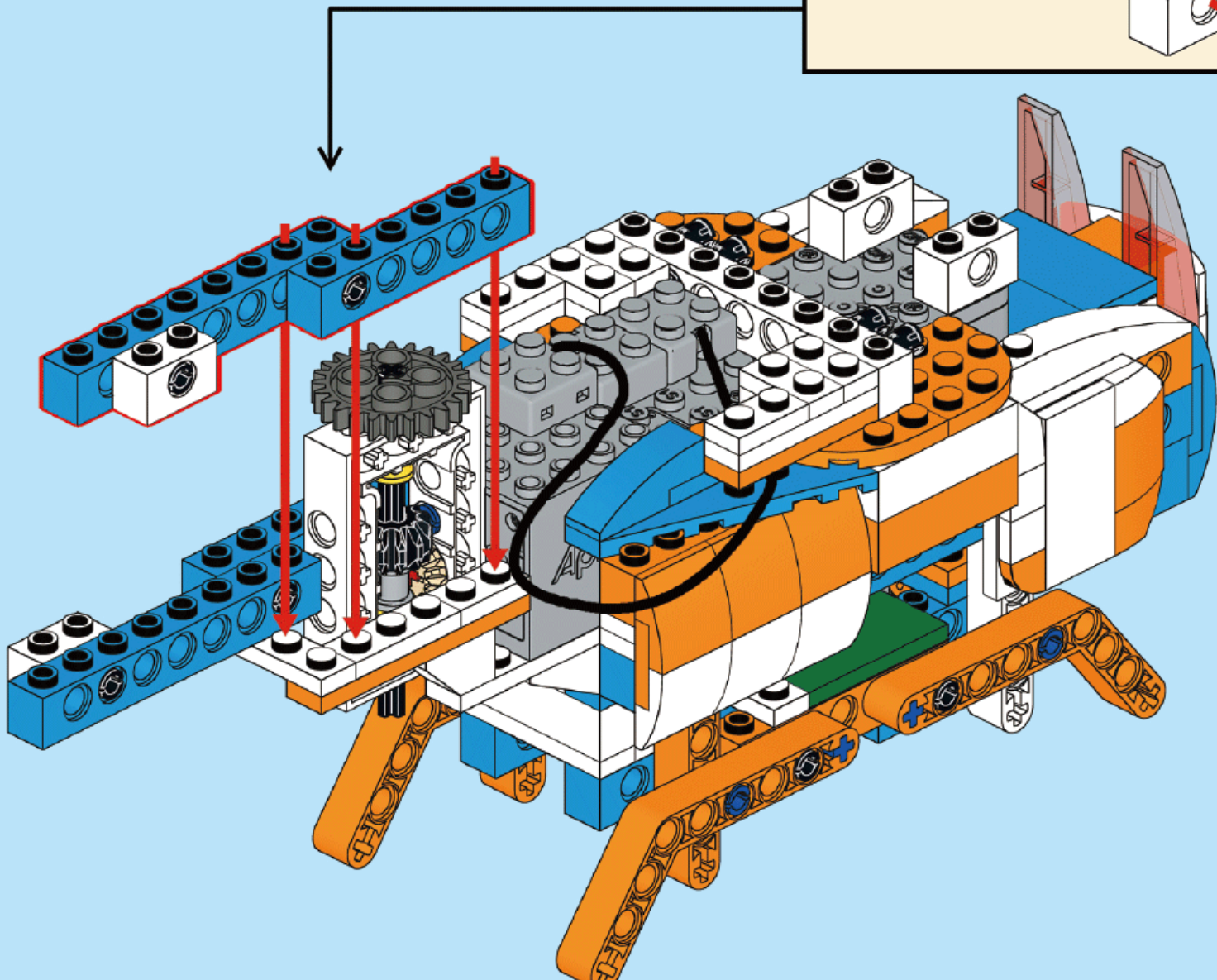
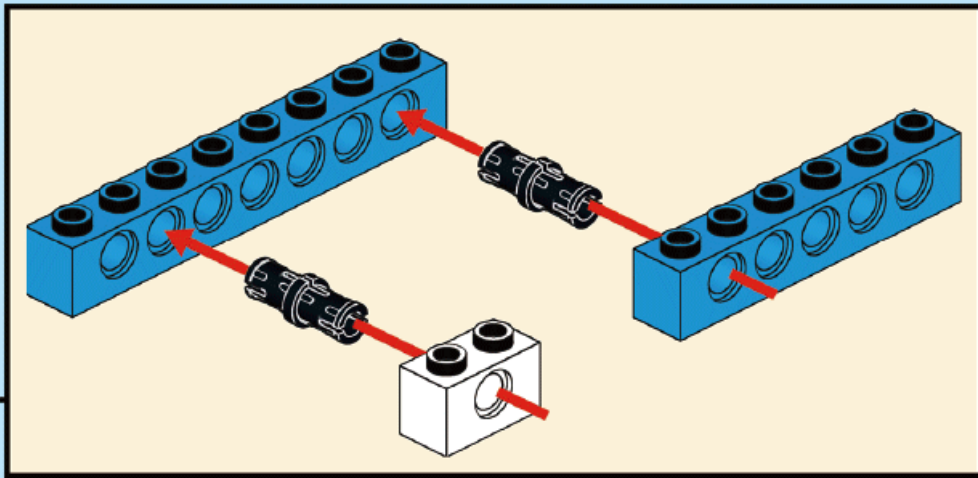
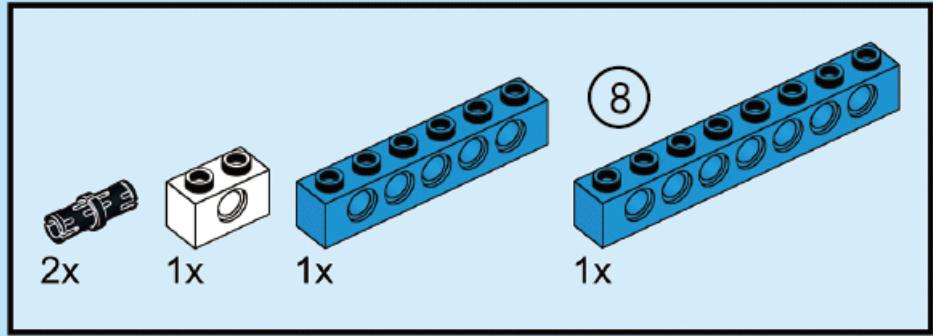


# 66



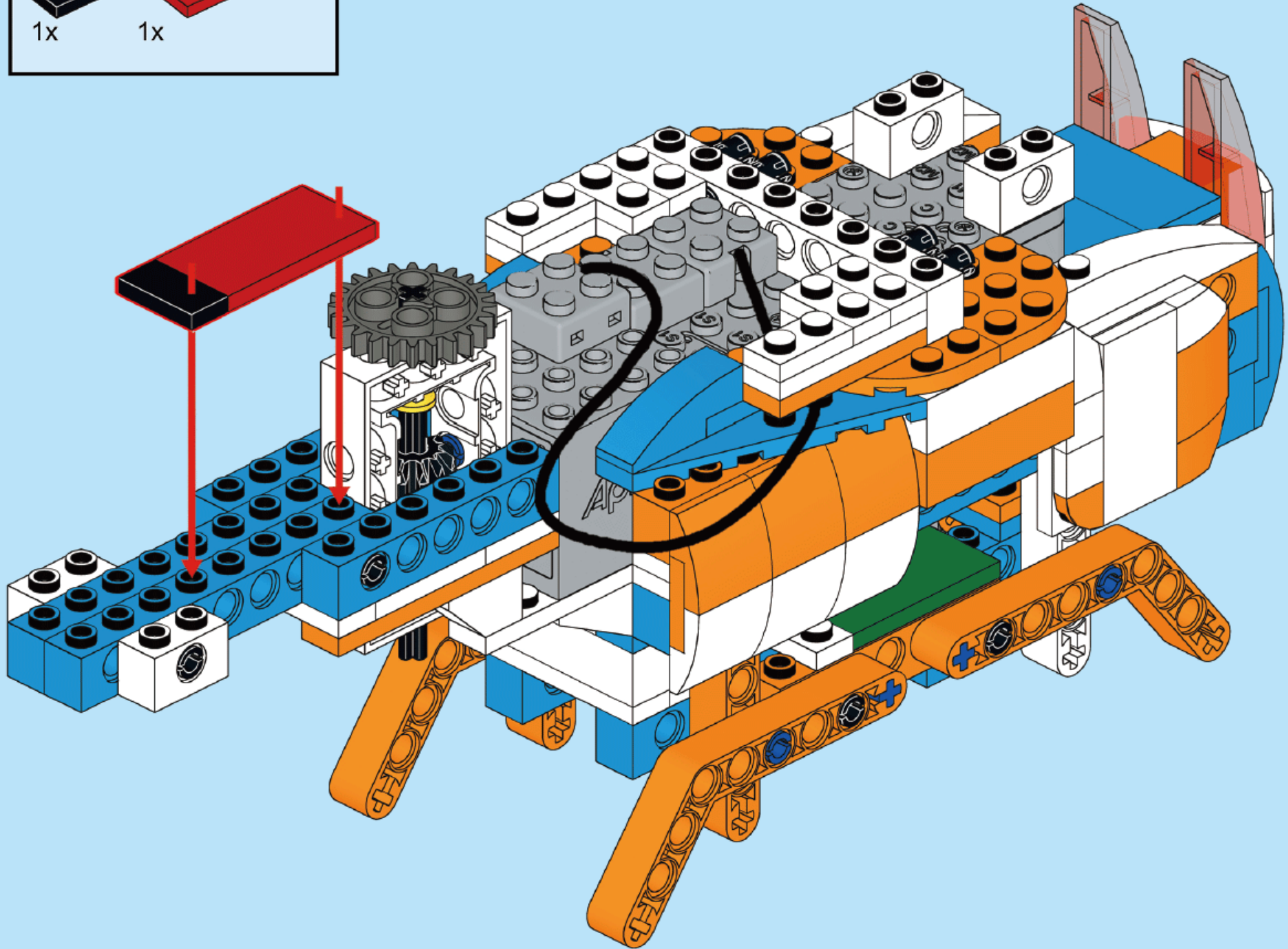
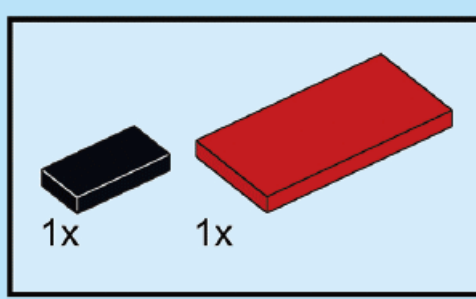


# 67

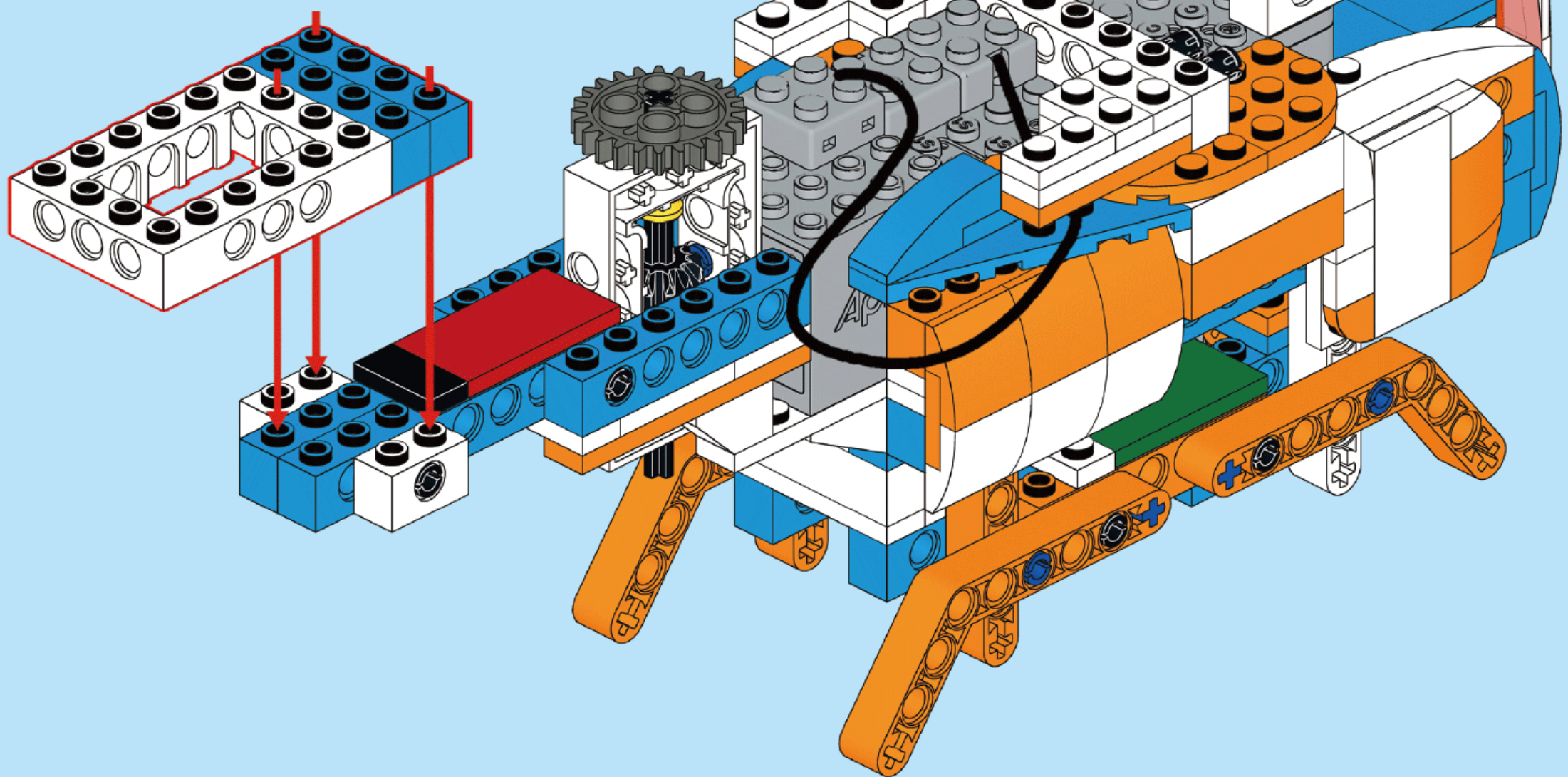
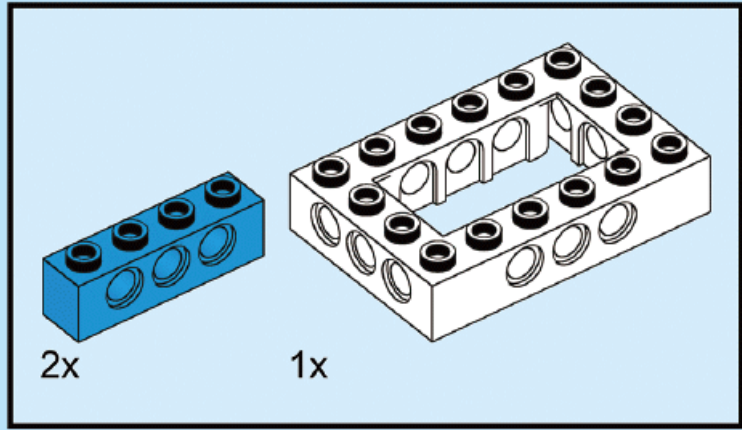




# 68

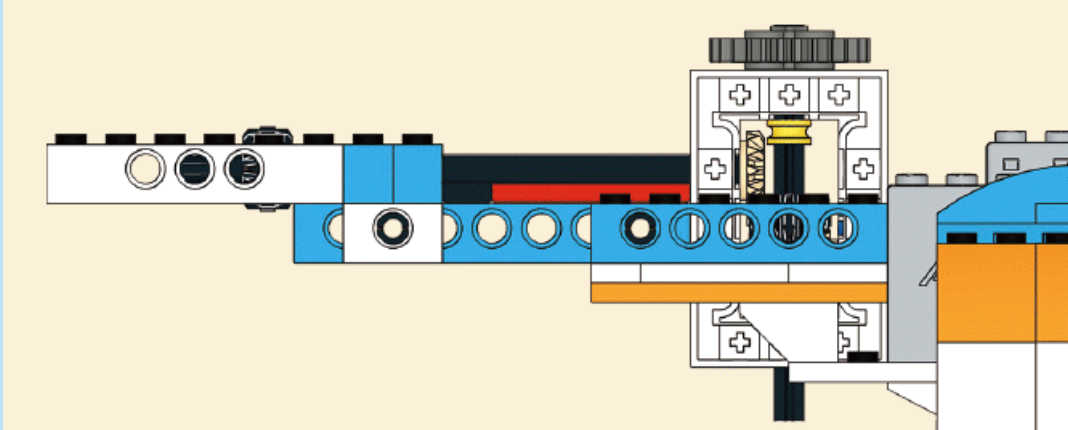
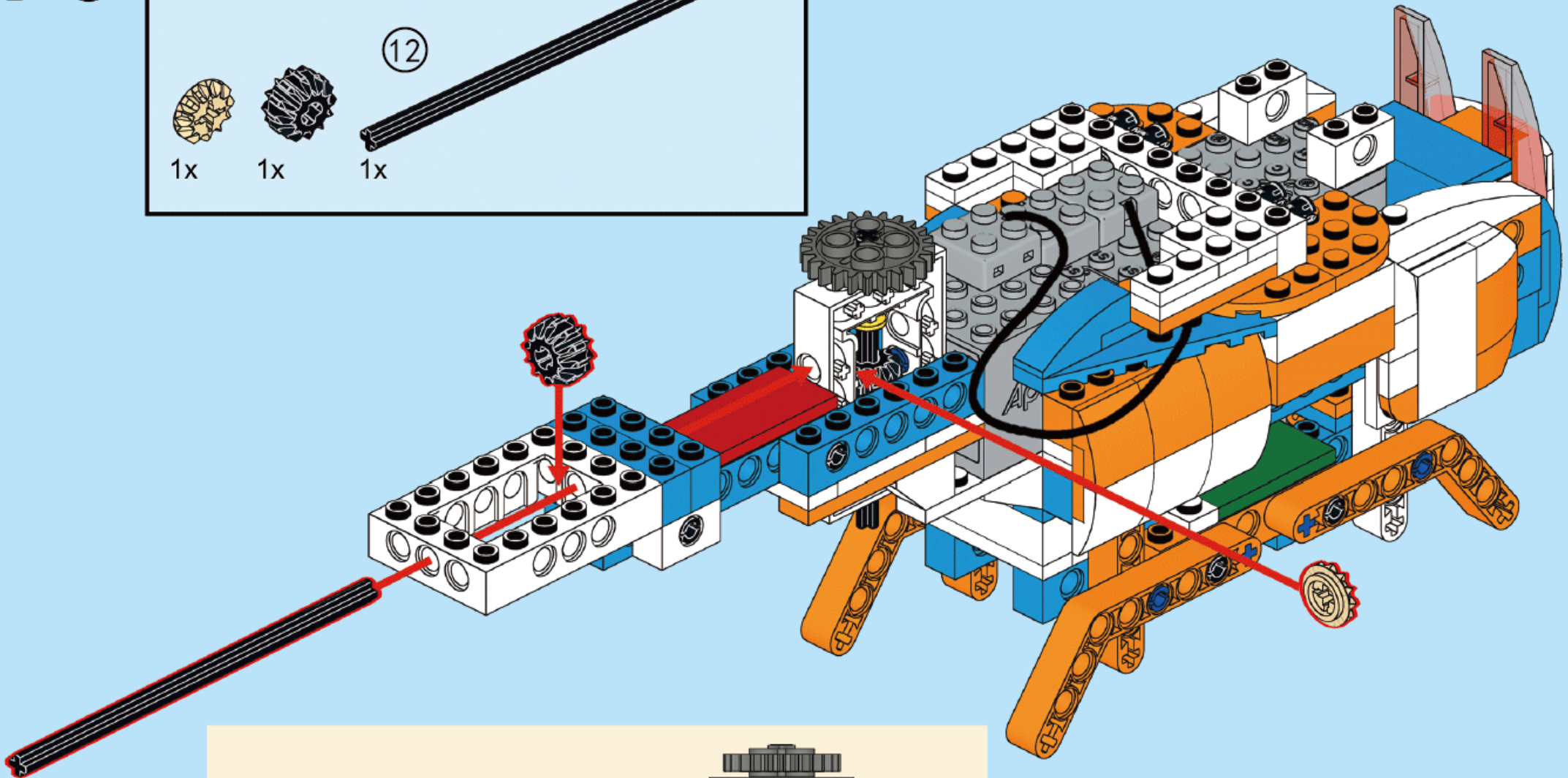
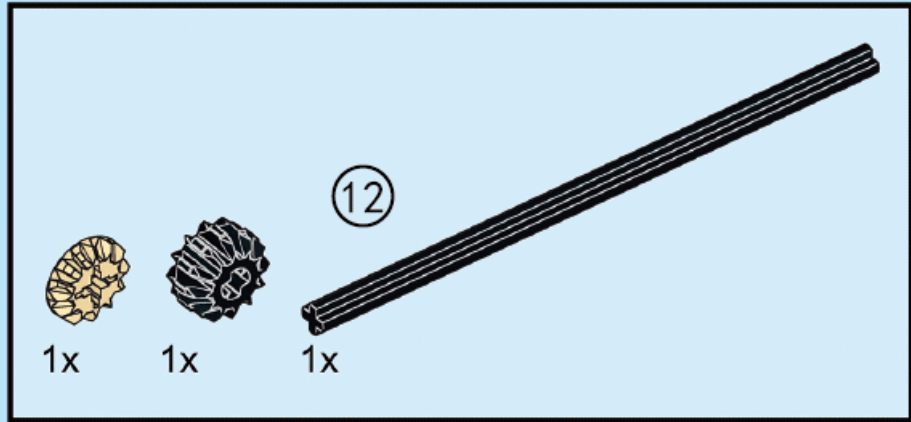


# 69



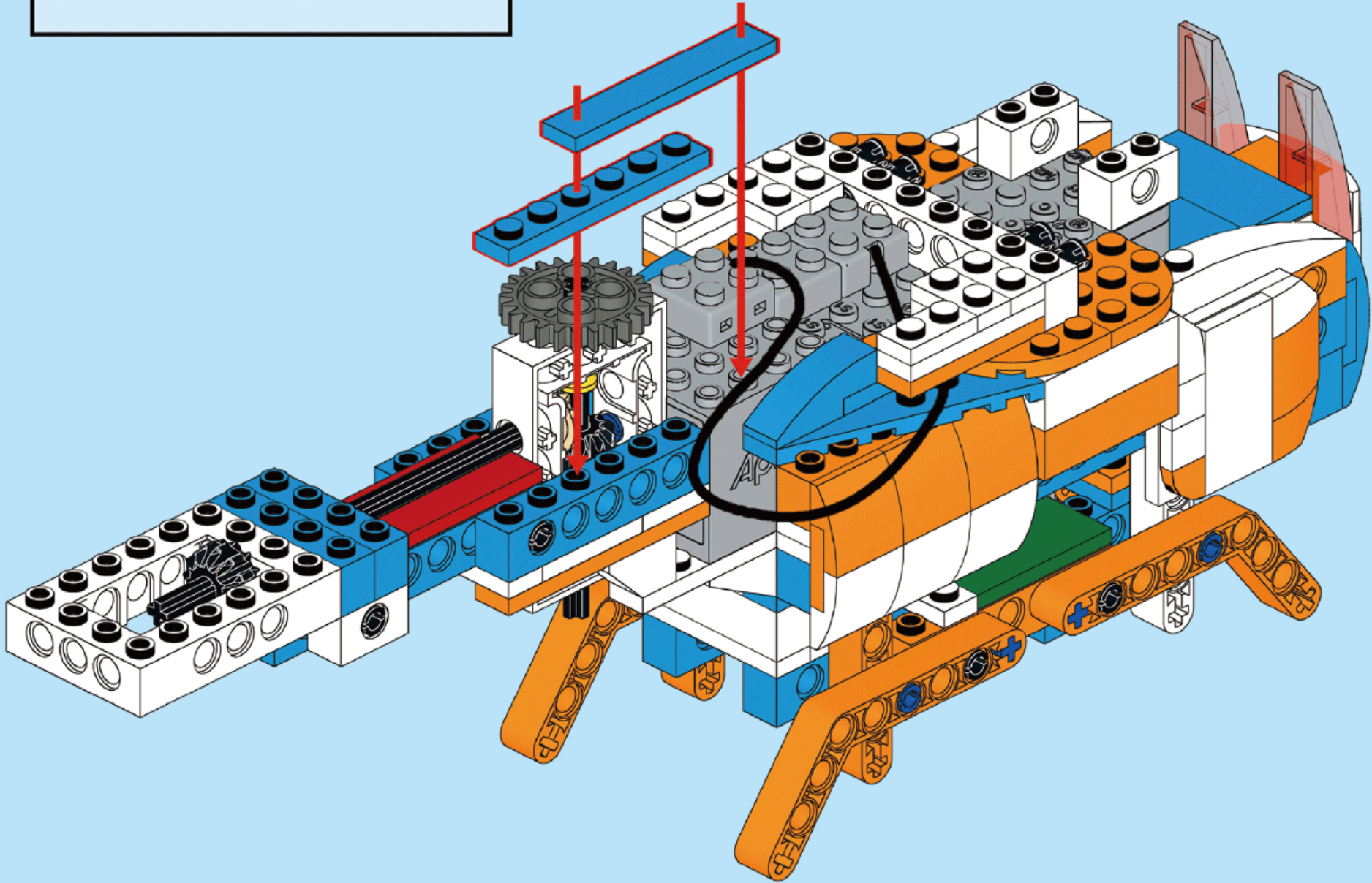
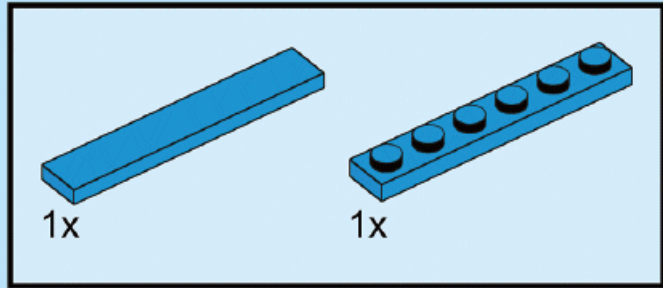


# 70

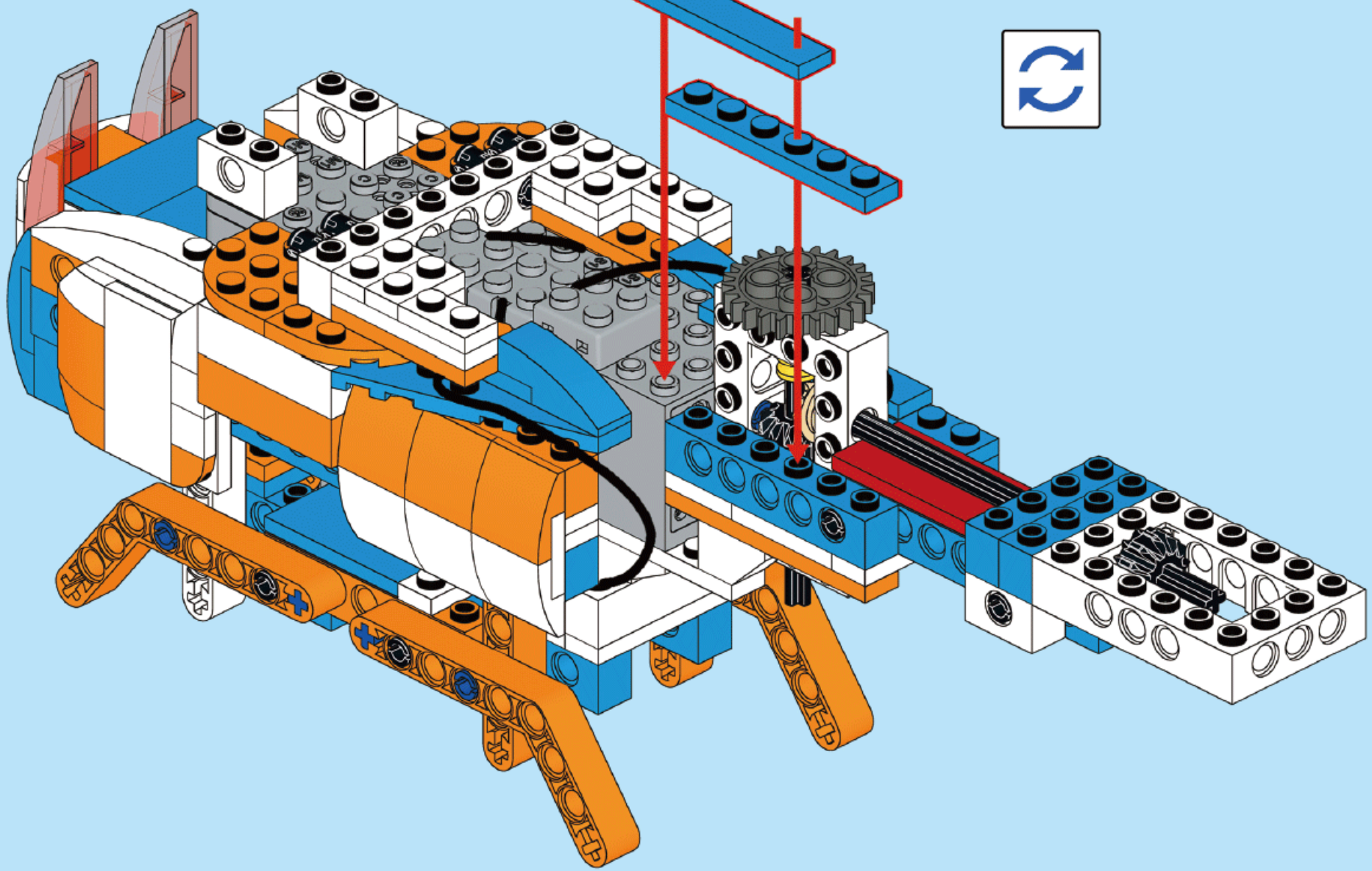
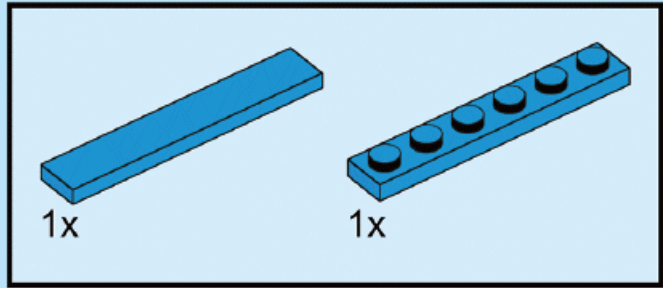




# 71

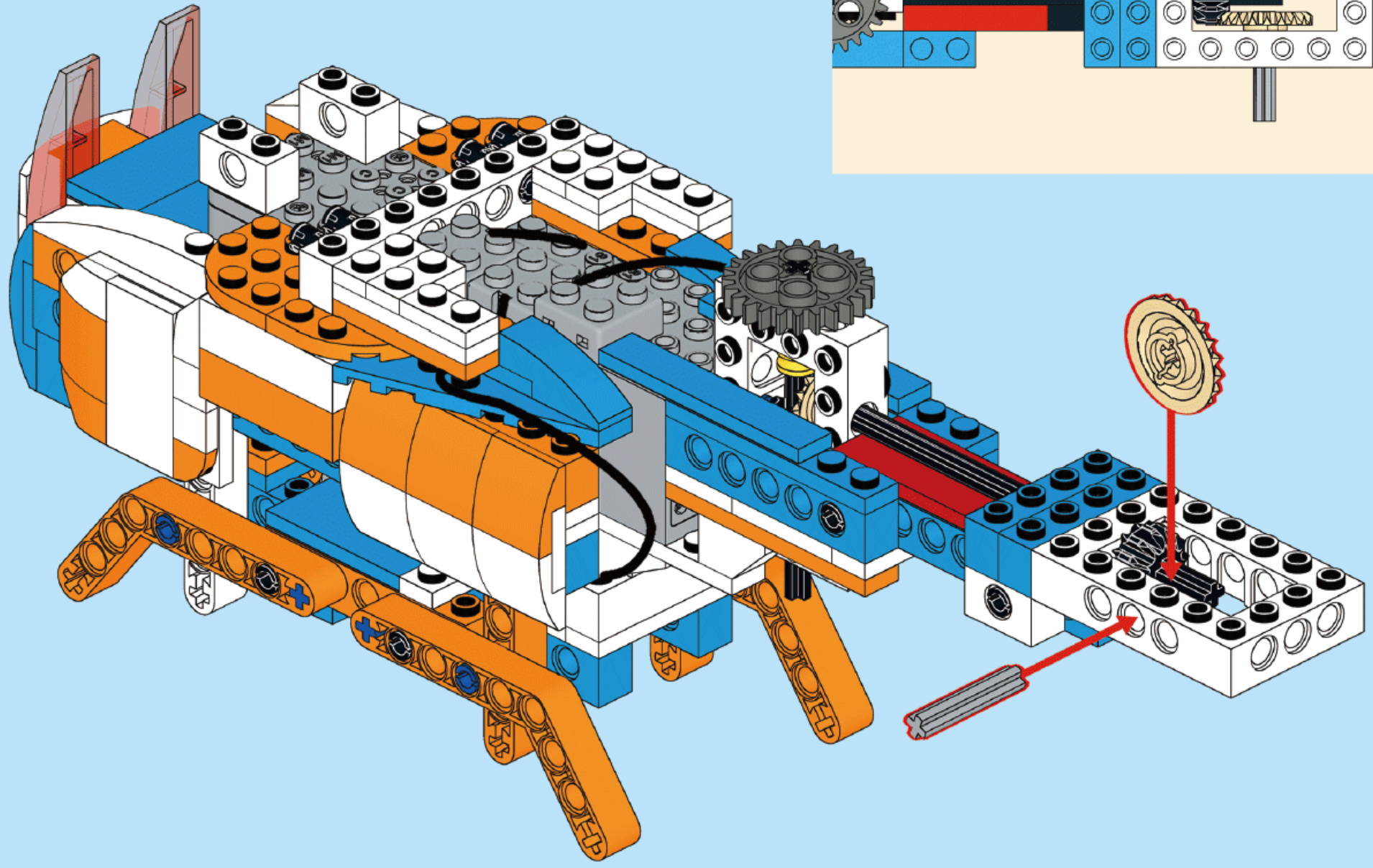
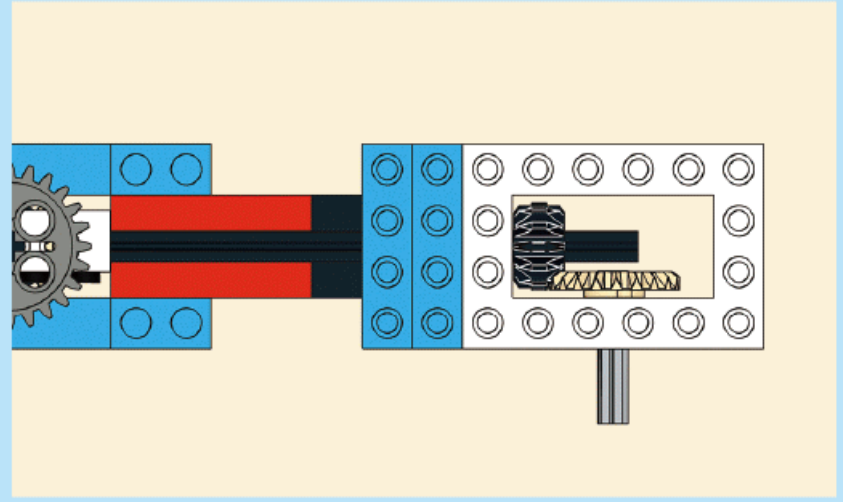
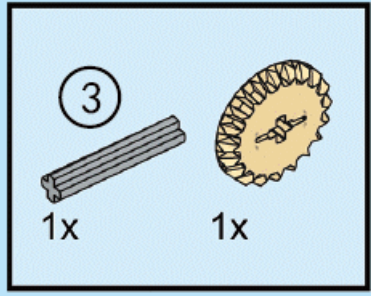


# 72



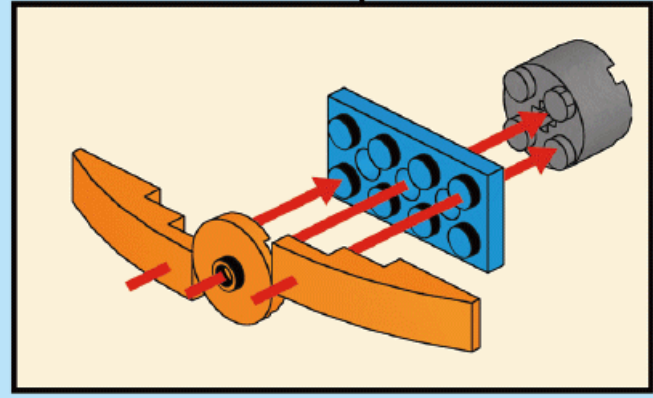
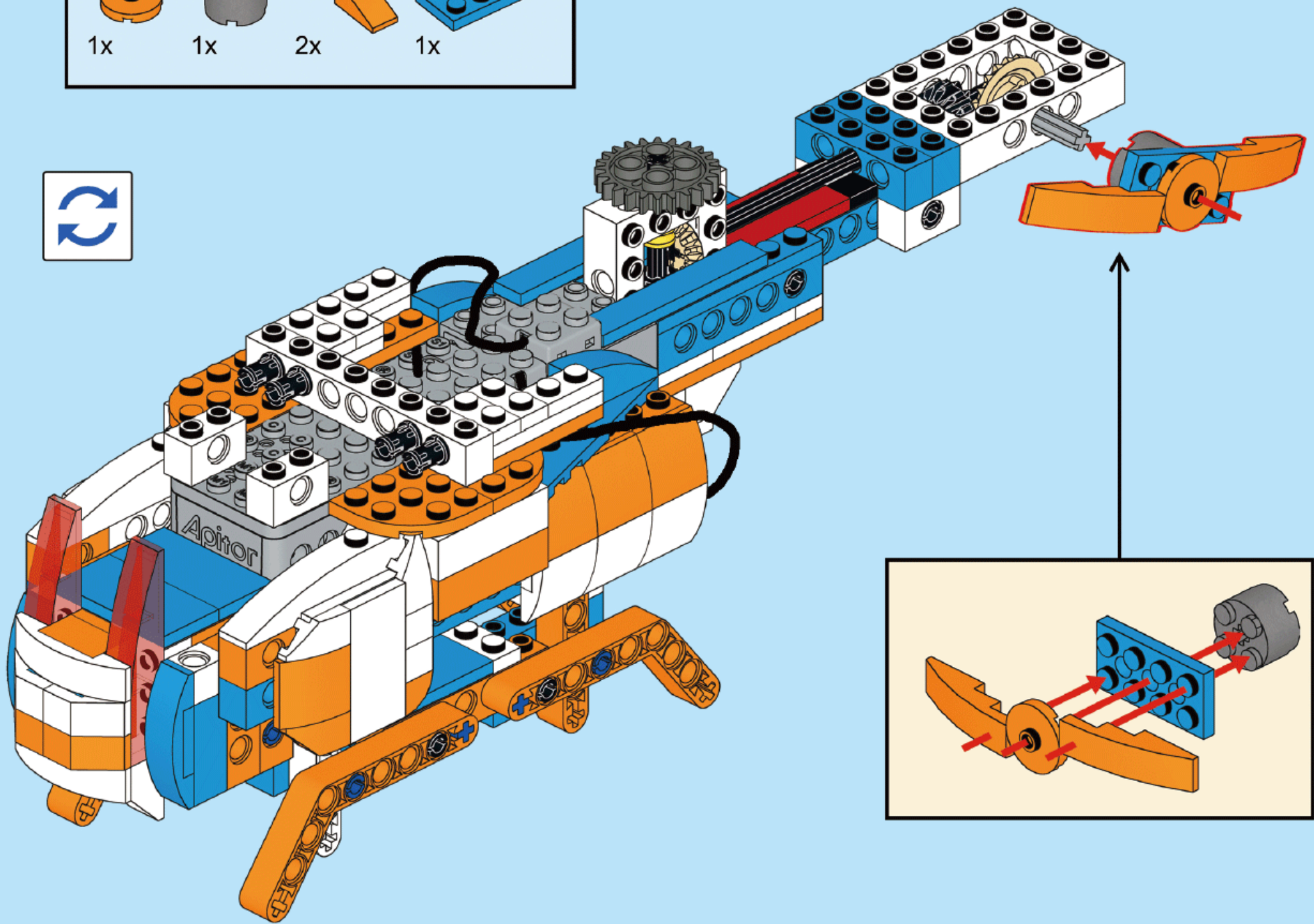
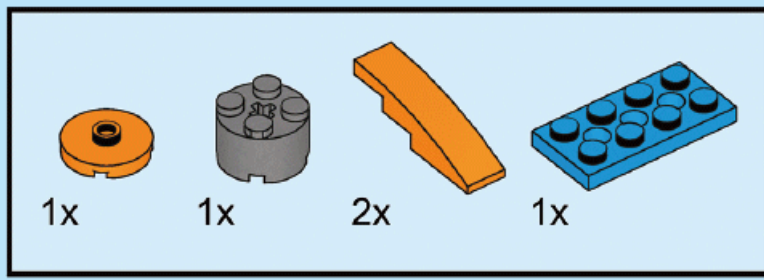


# 73

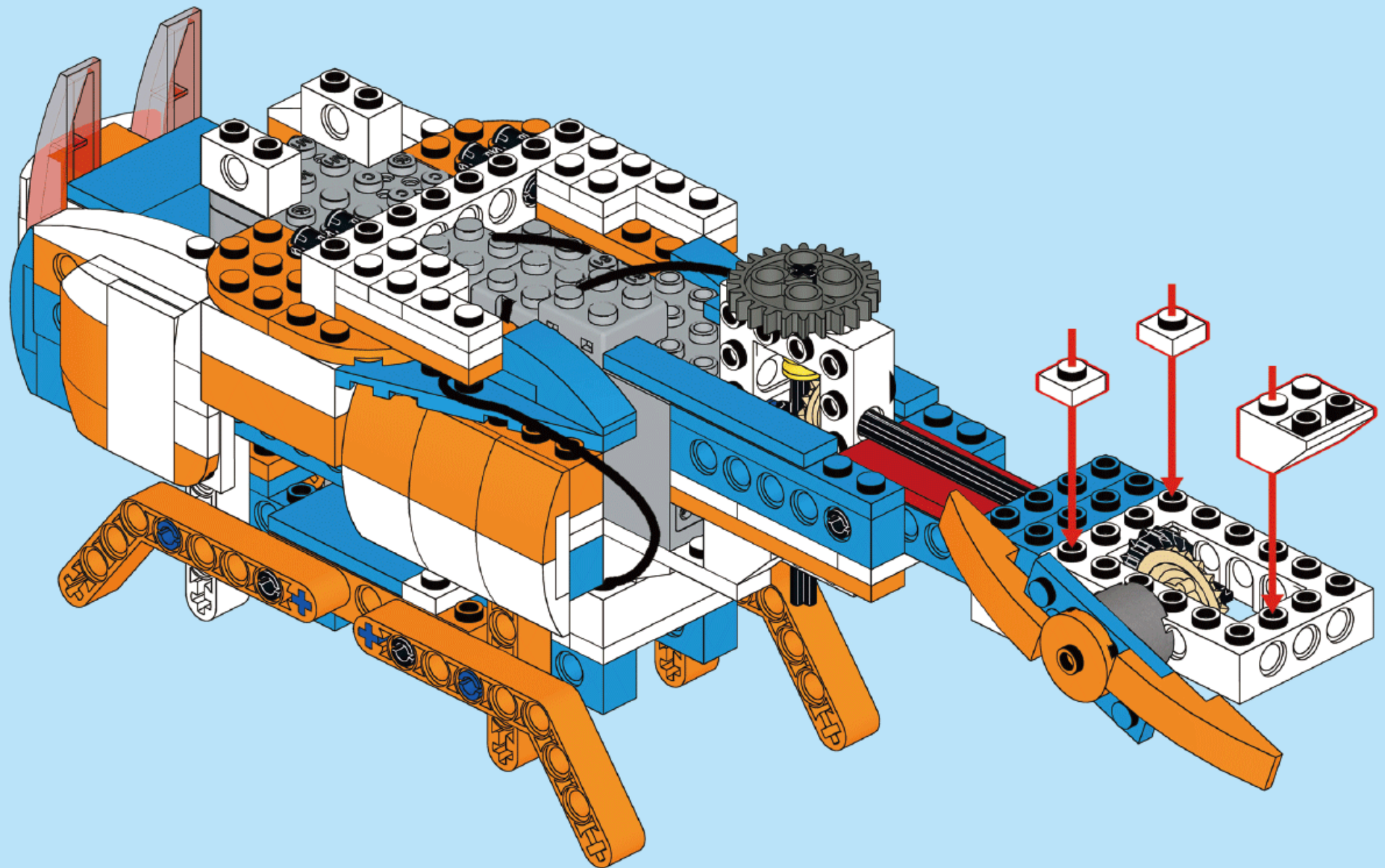
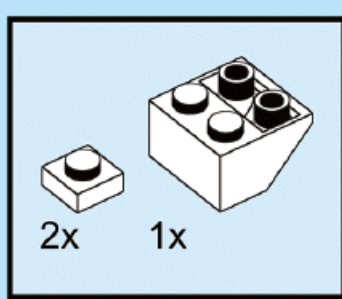




# 74

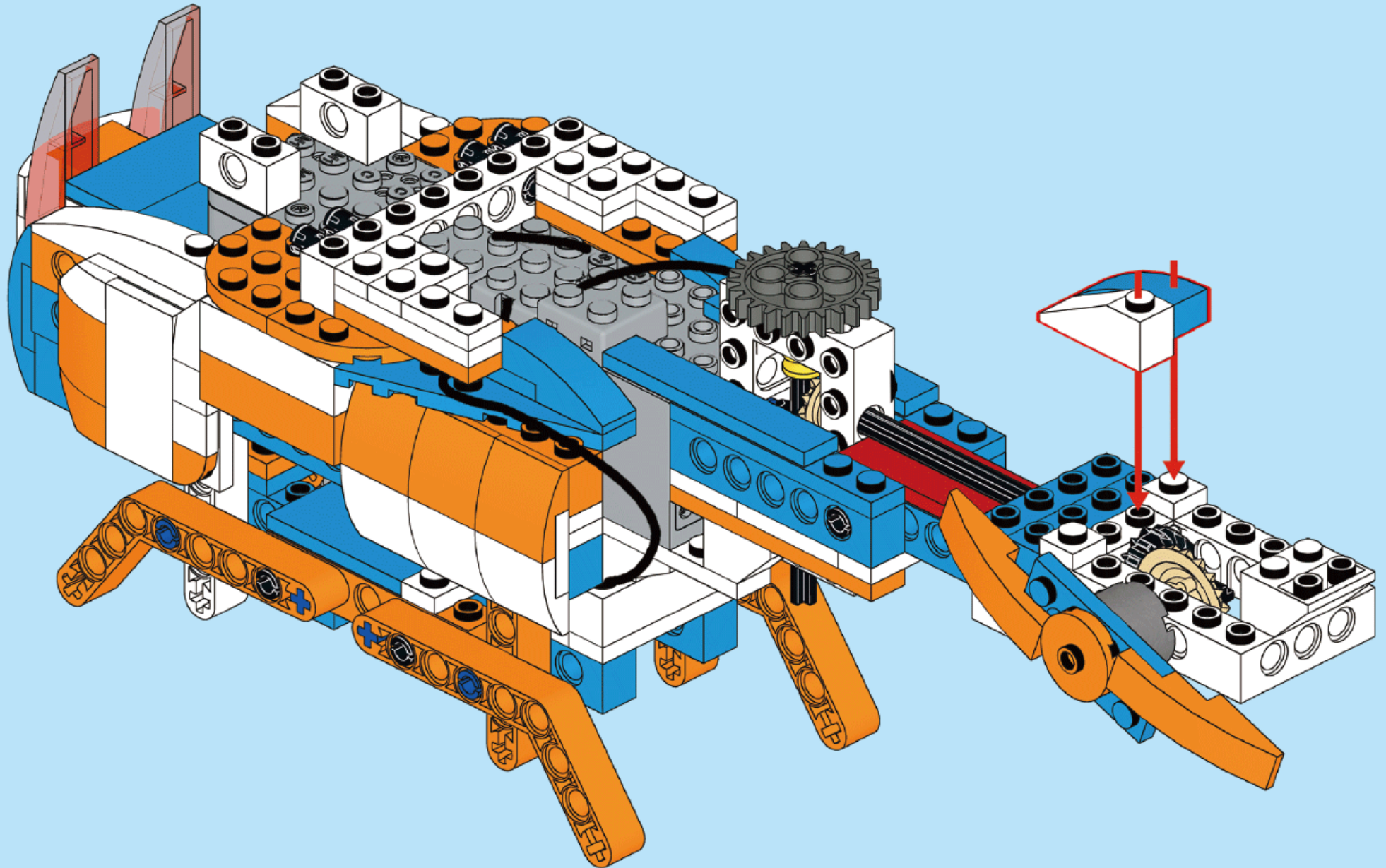
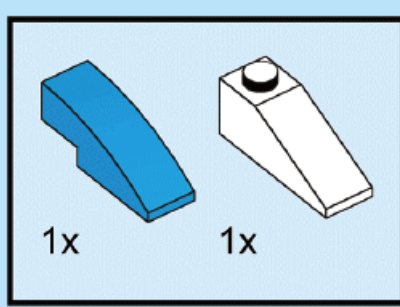


# 75



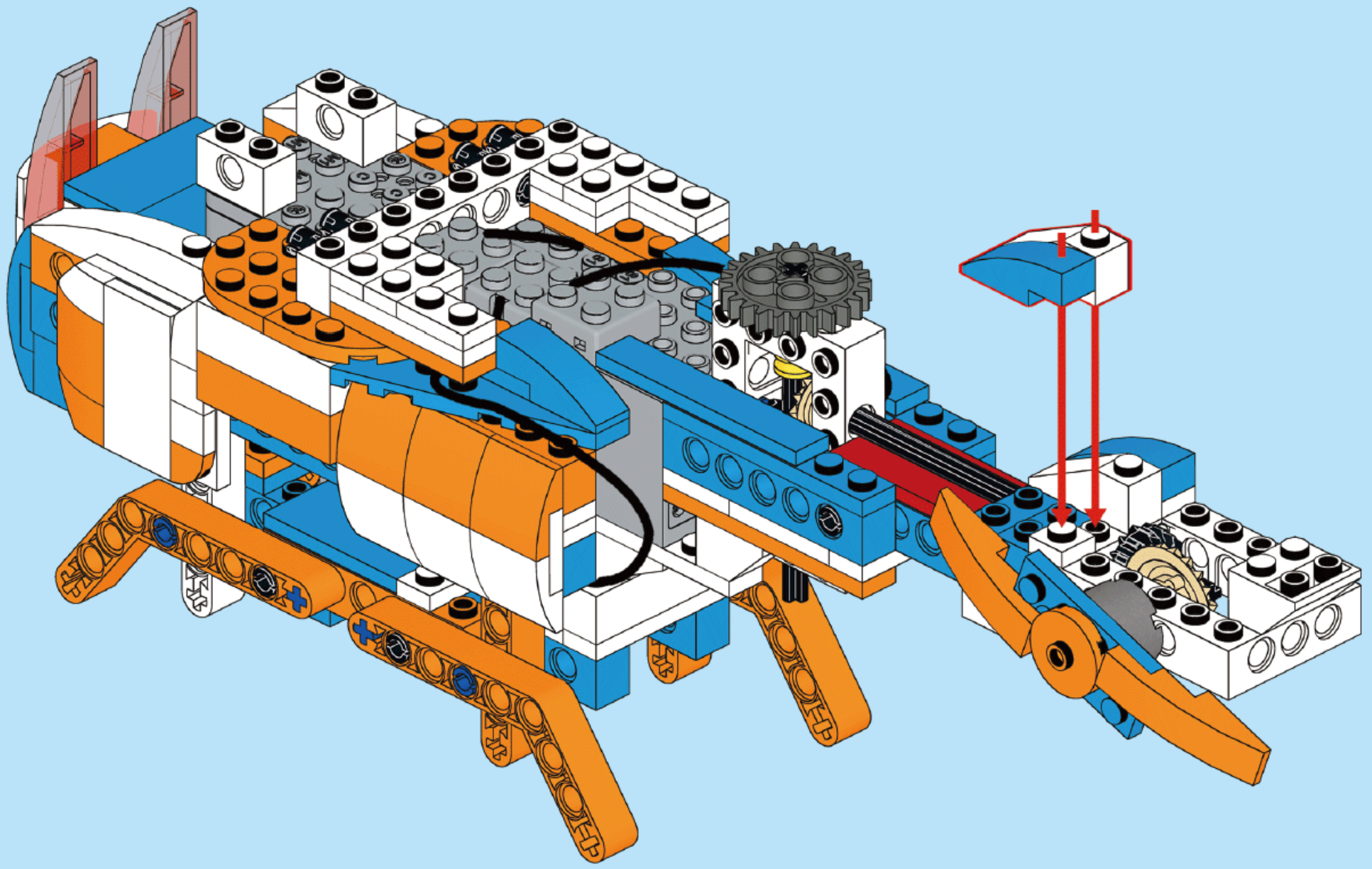
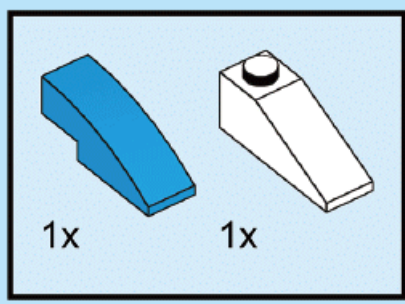


# 76

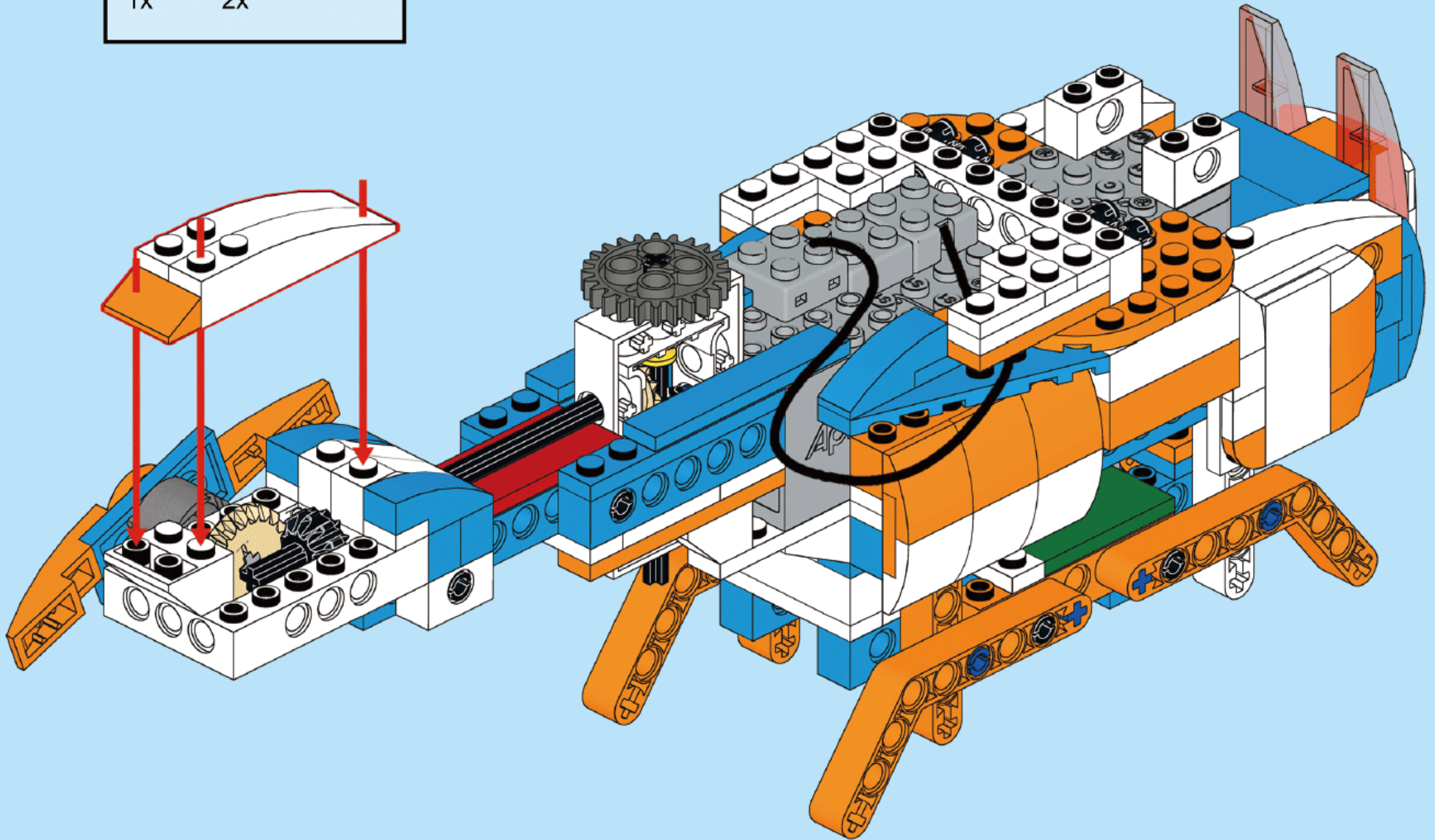
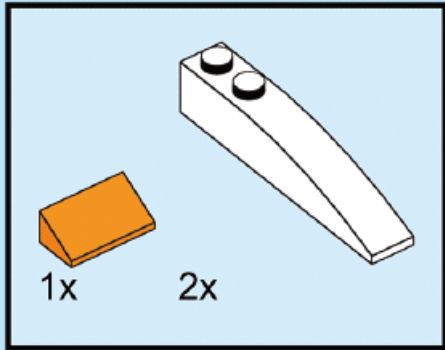




# 77

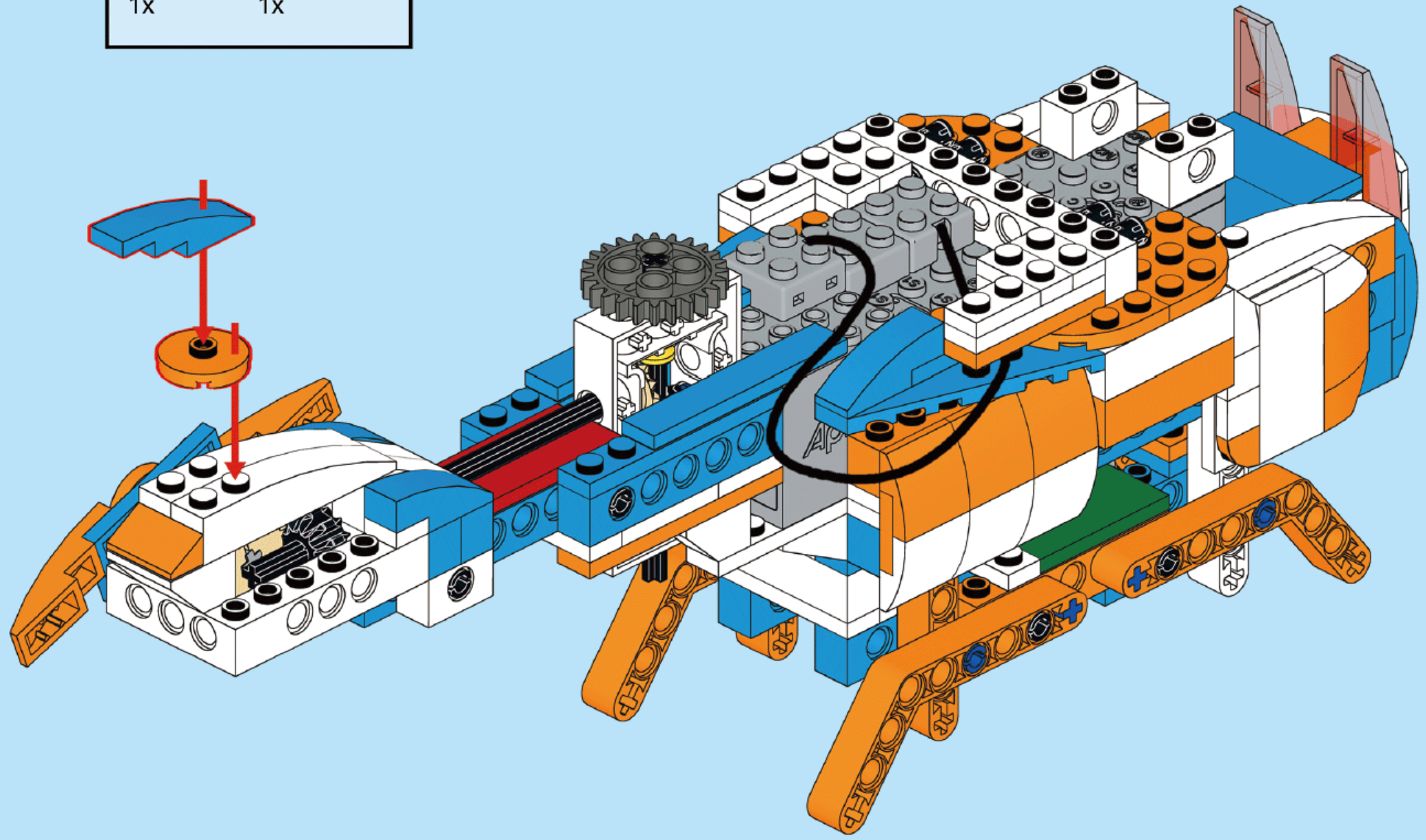
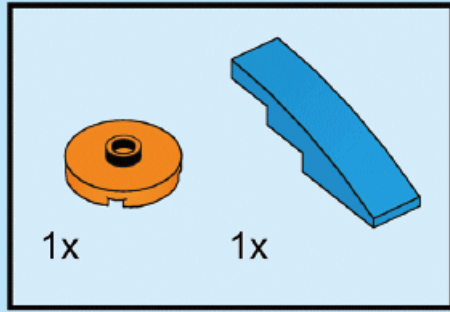


# 78



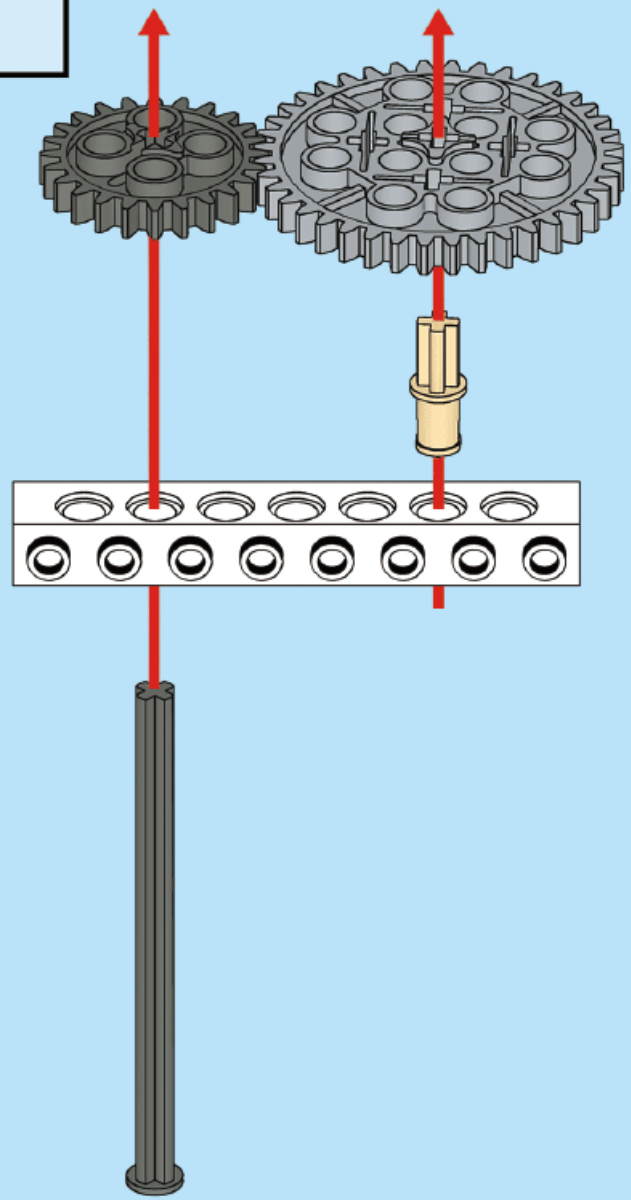
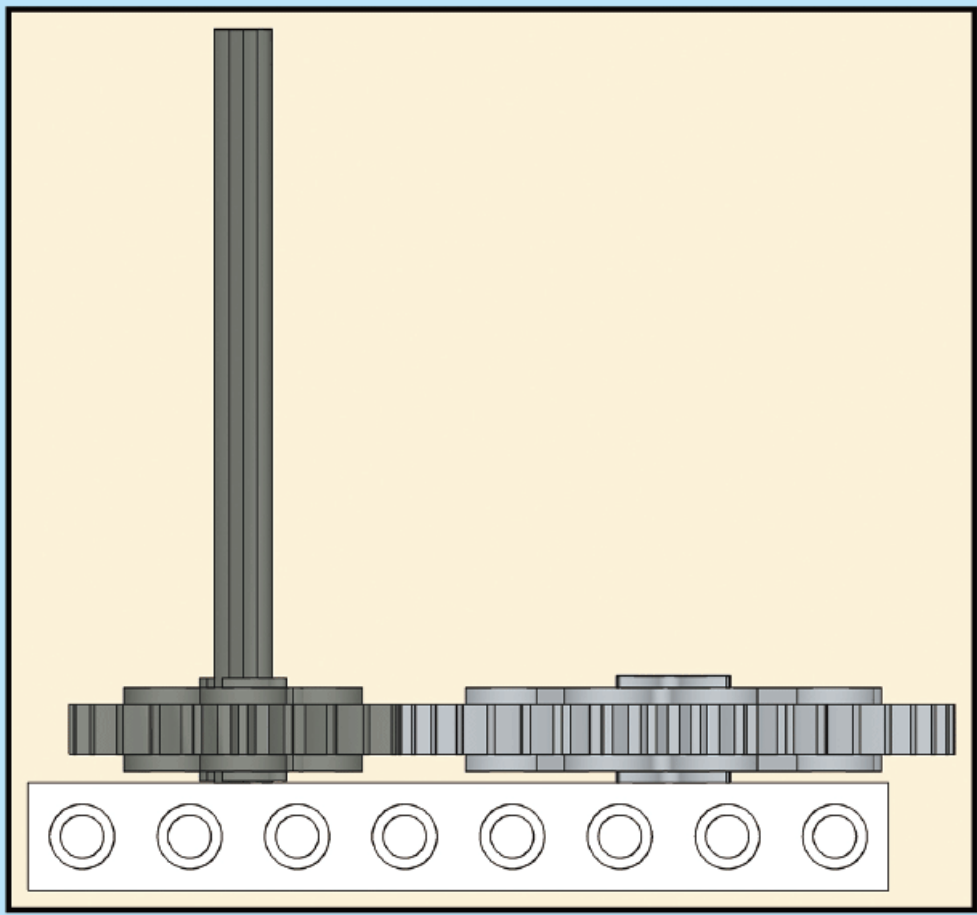
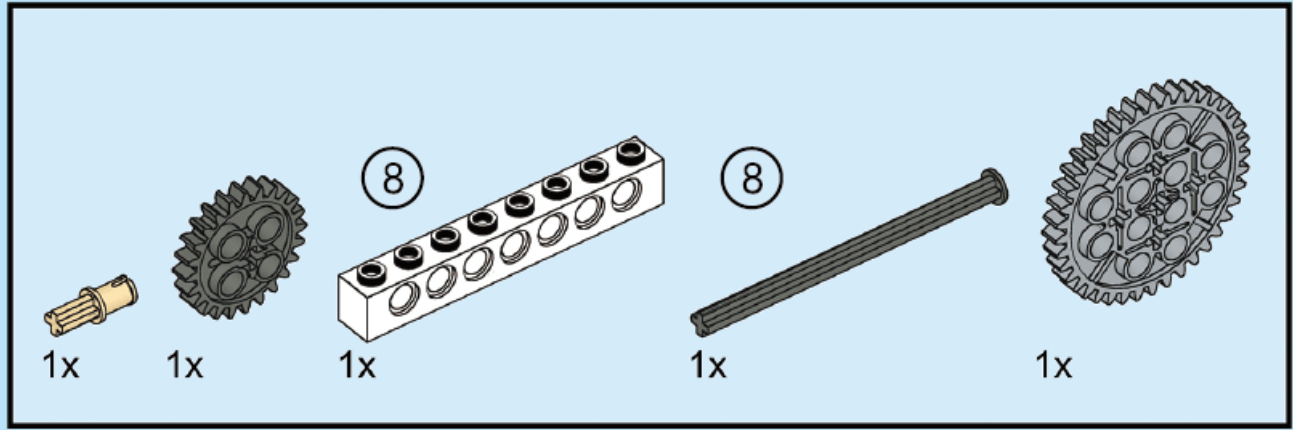


# 79

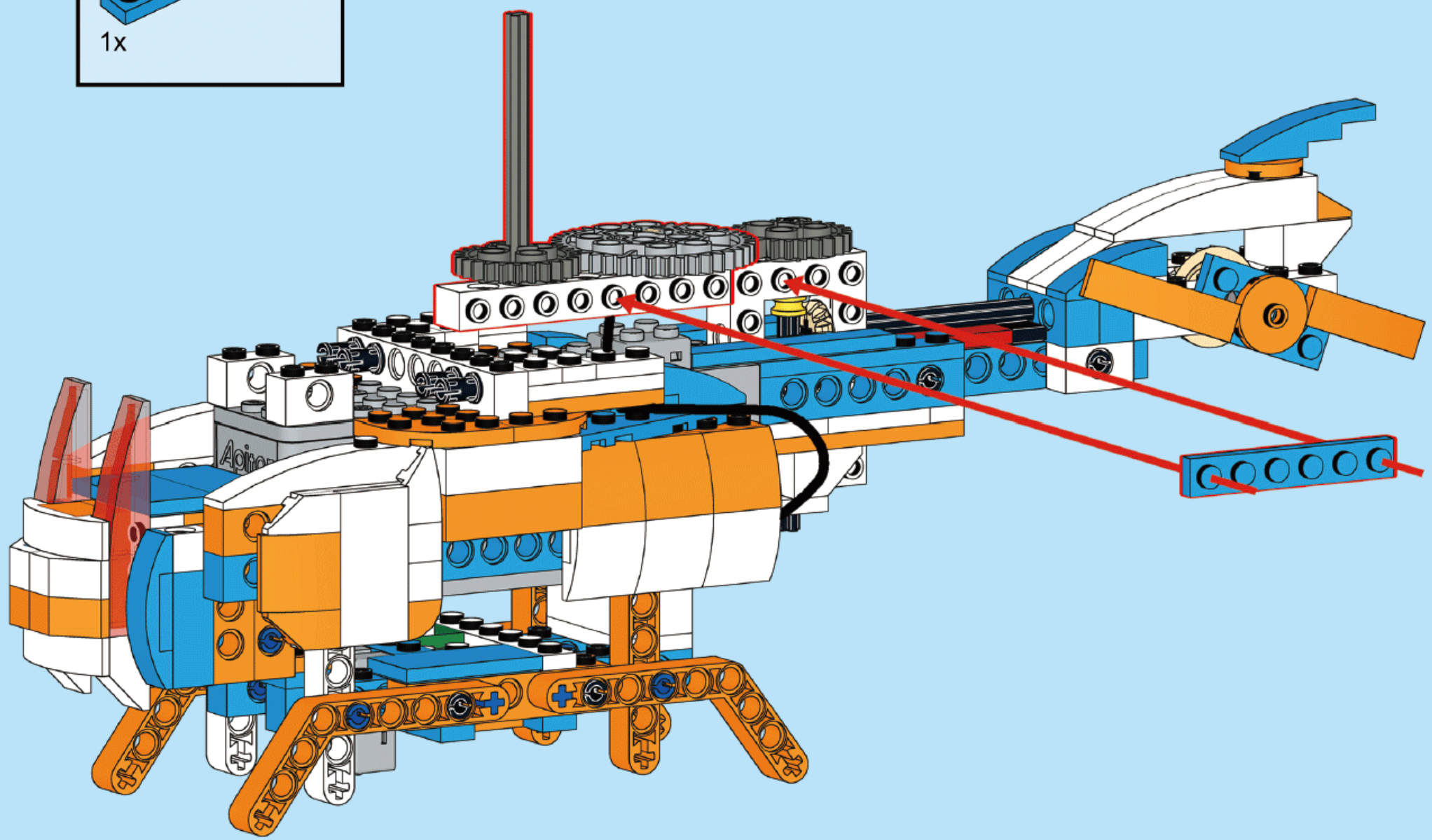
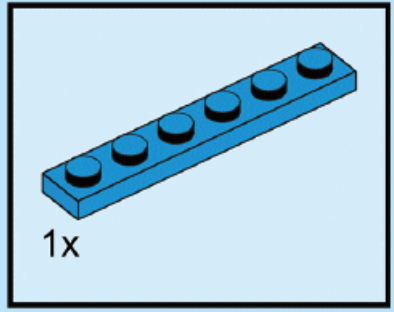




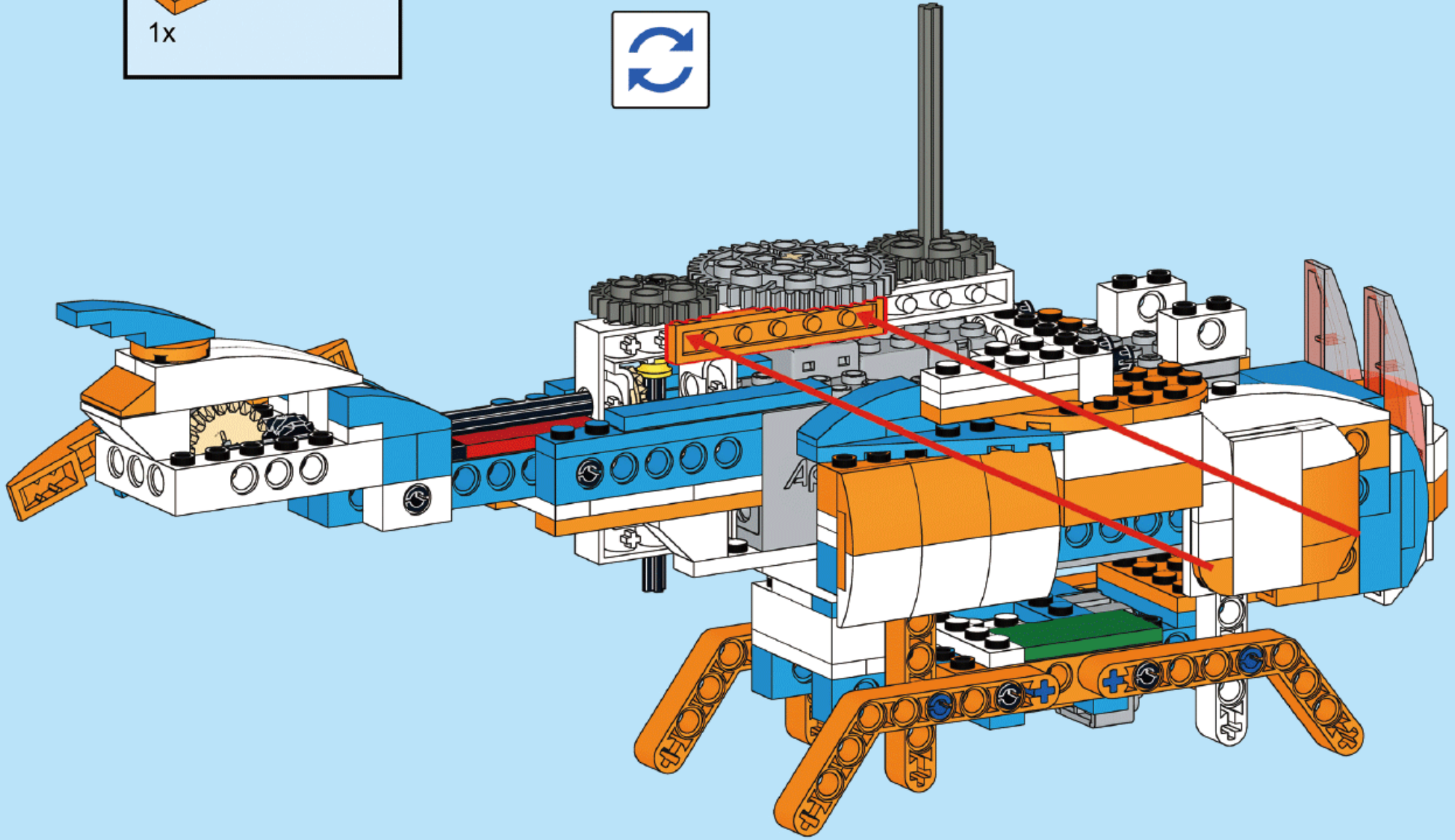
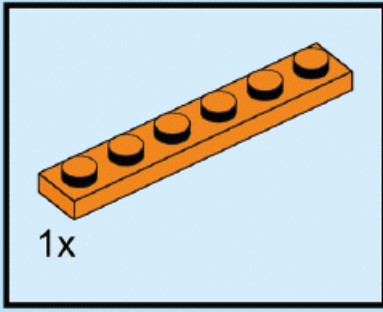
# 80



# 81

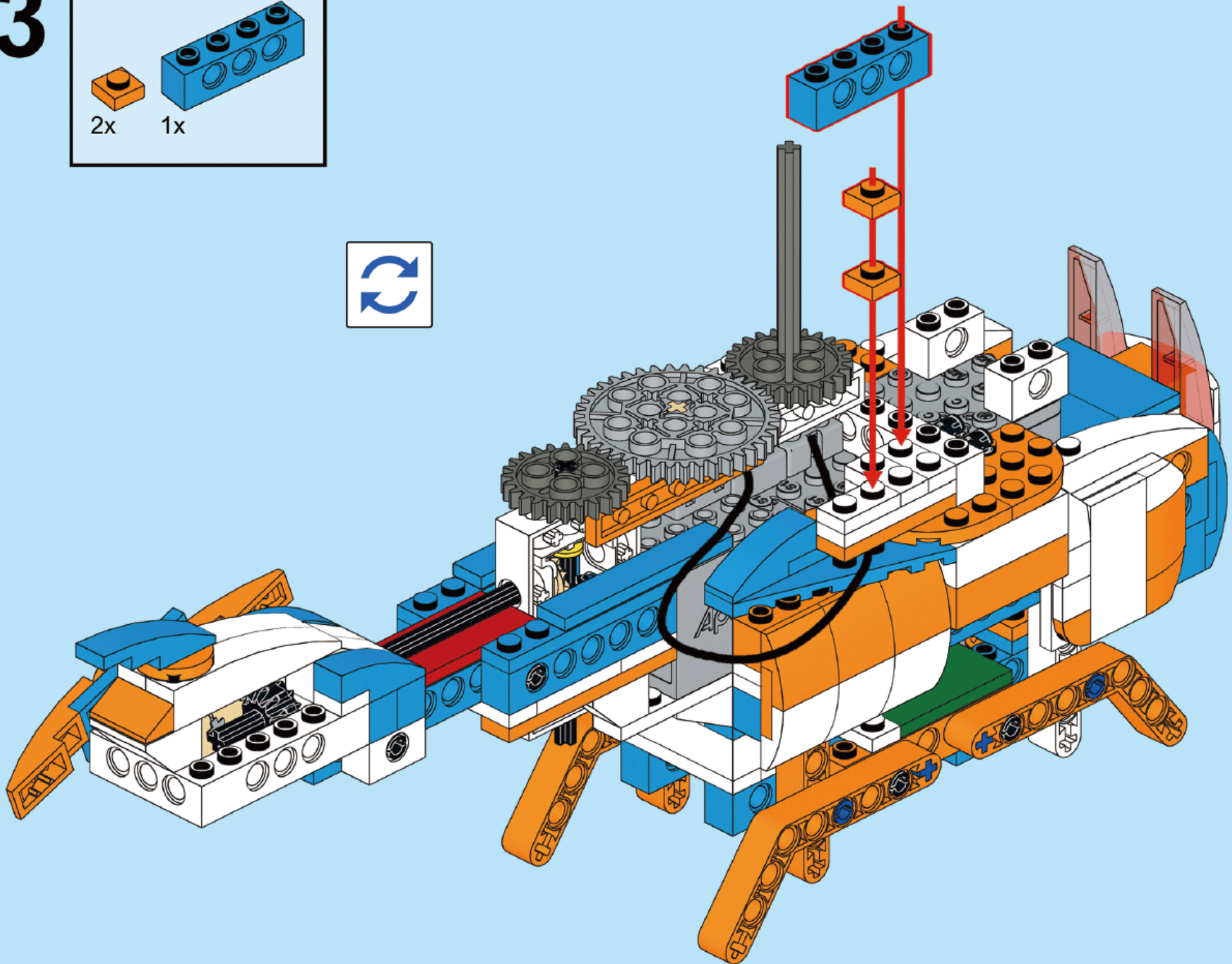
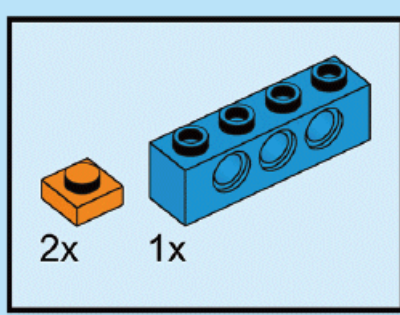


# 82

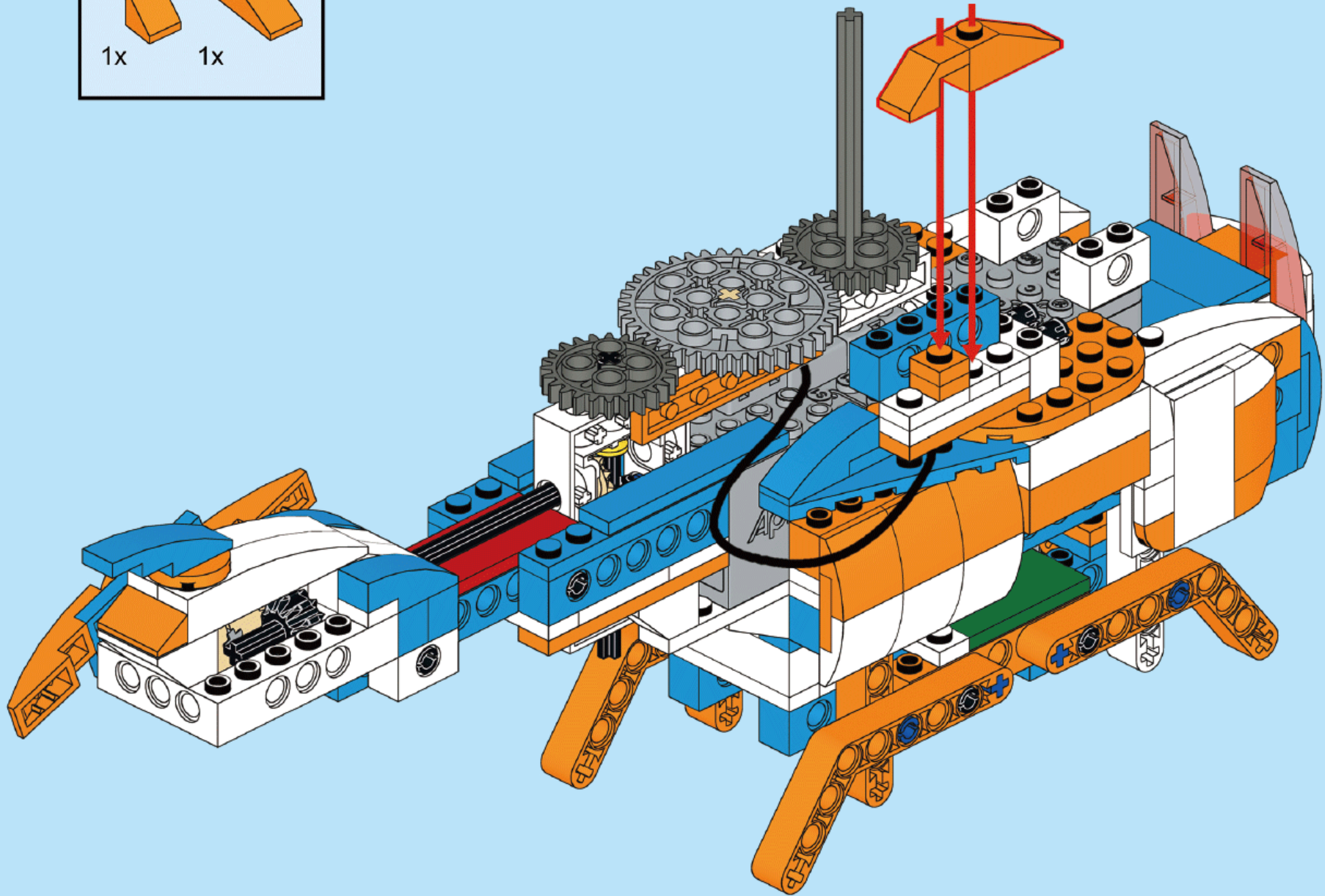
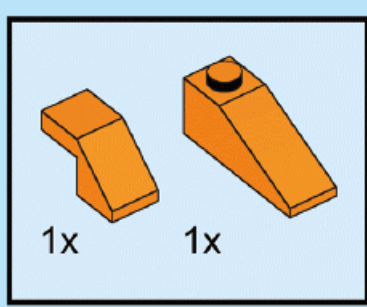




# 83

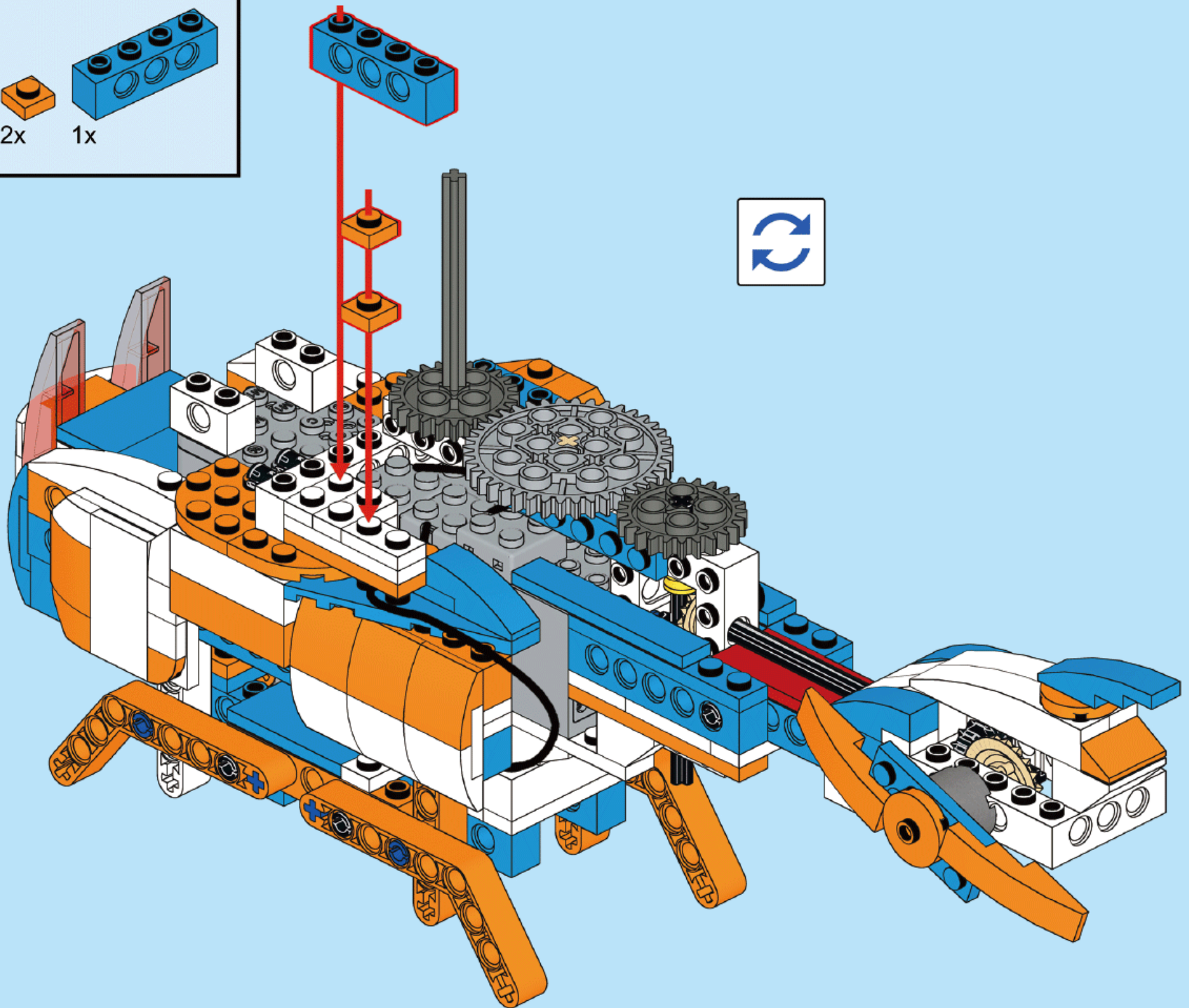
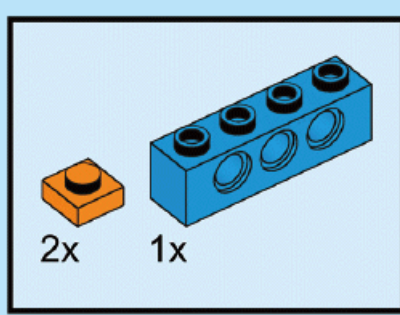


# 84



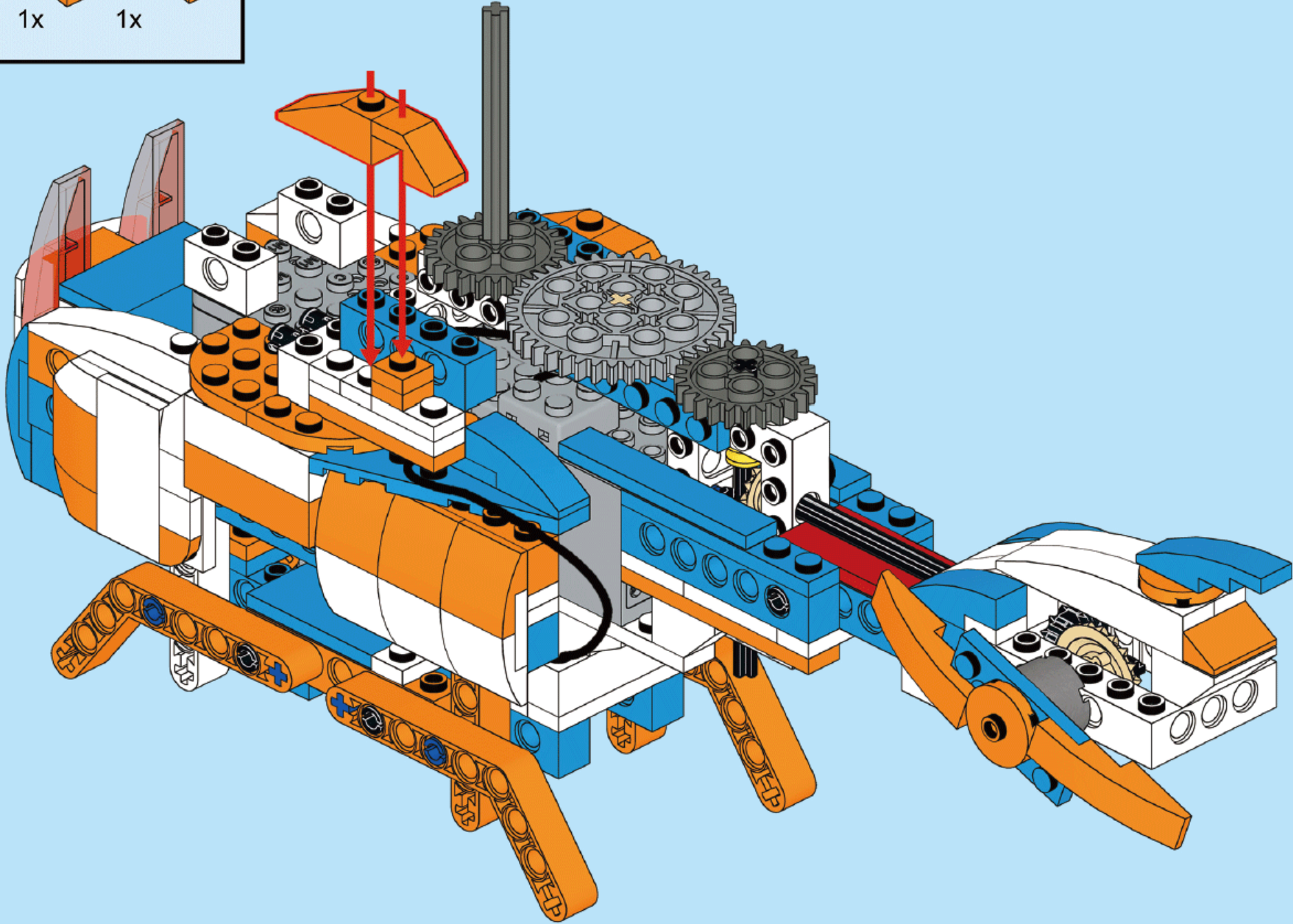
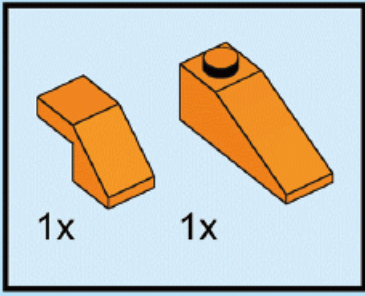


# 85

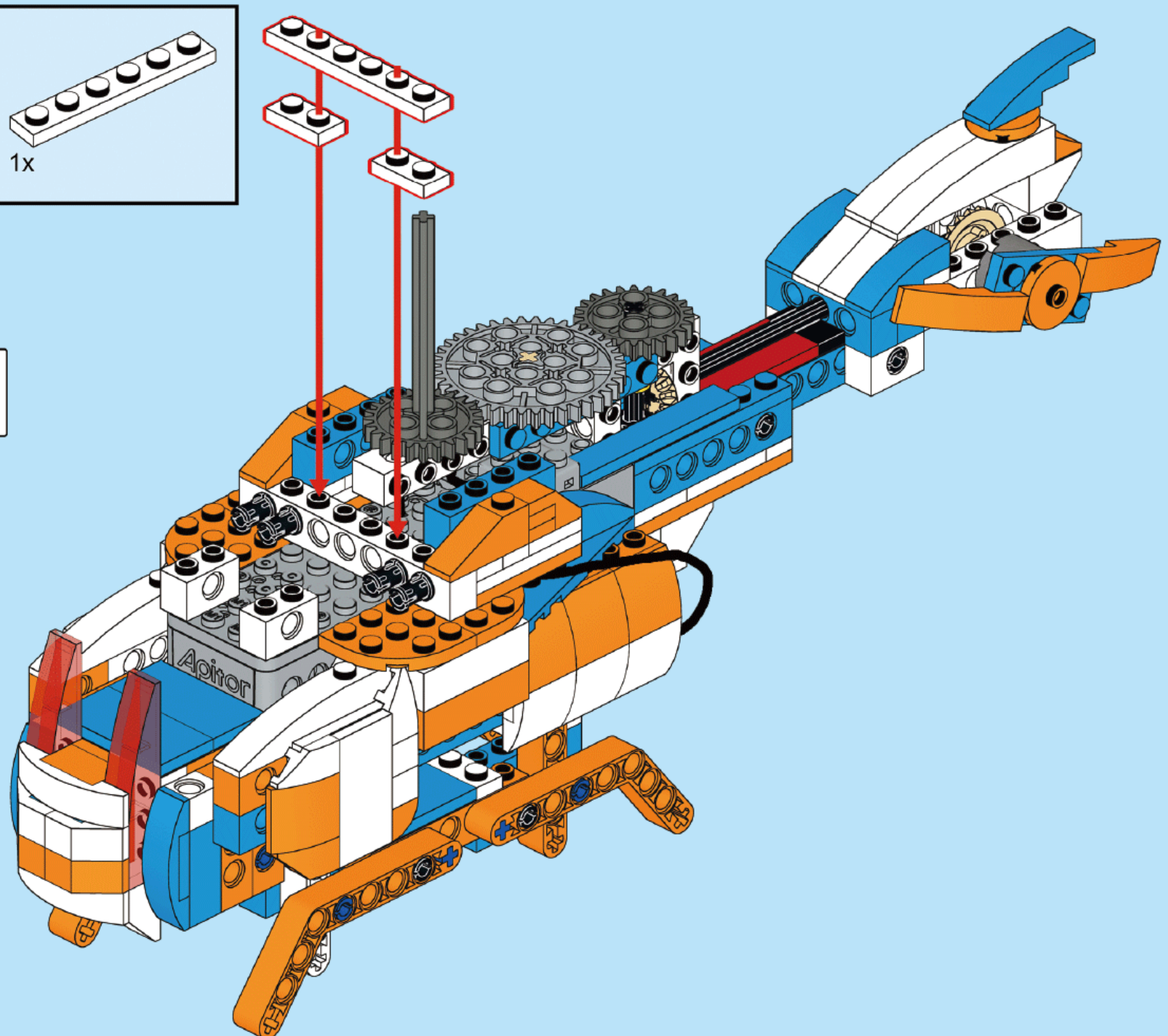
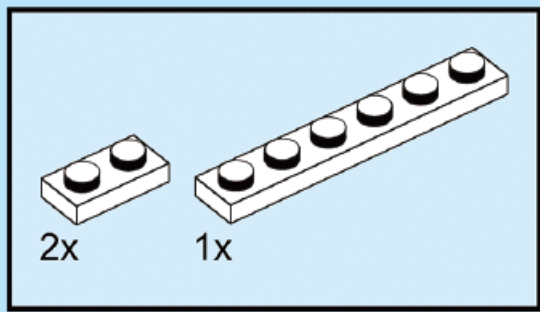




# 86

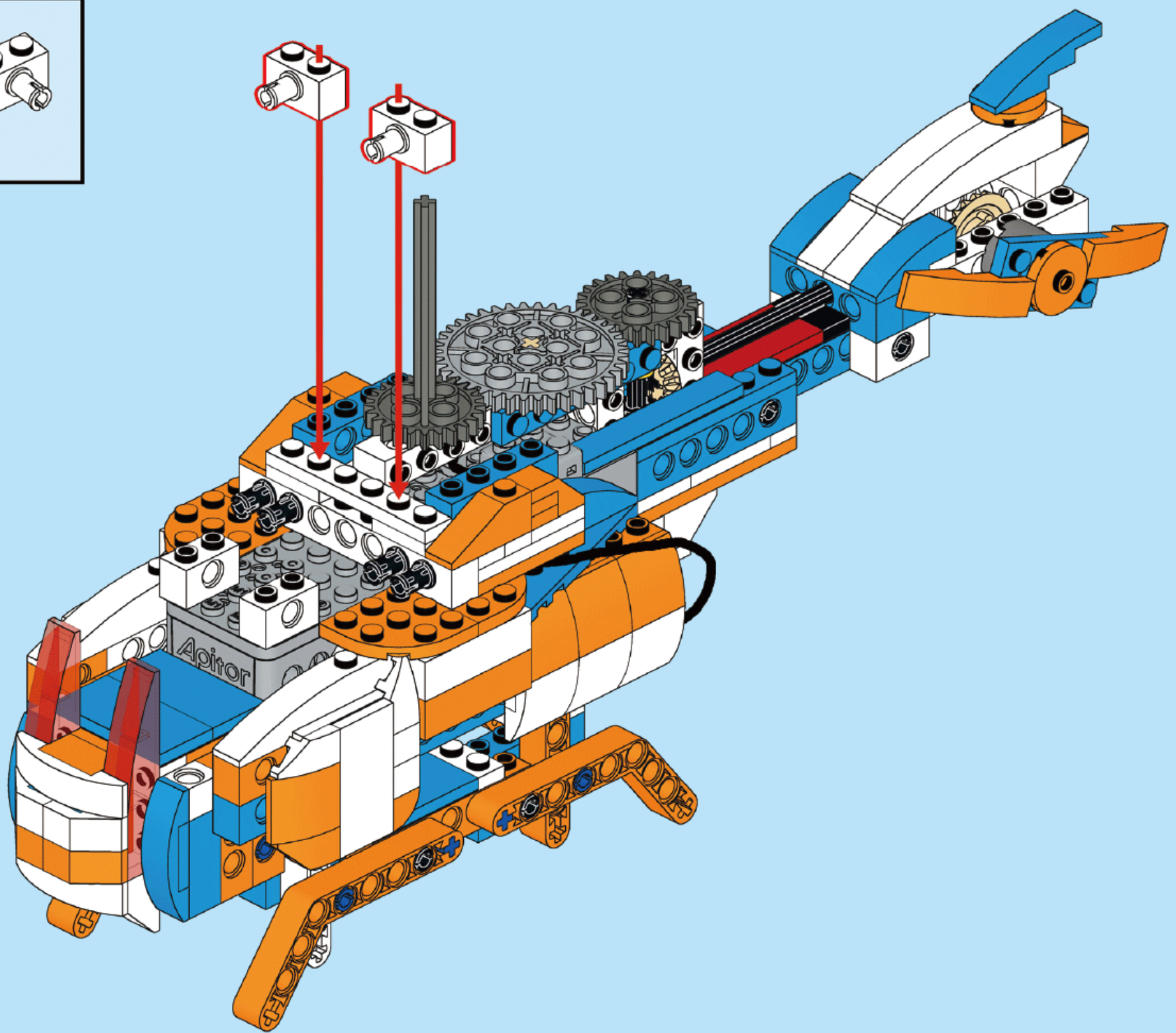
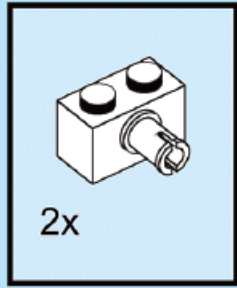


# 87

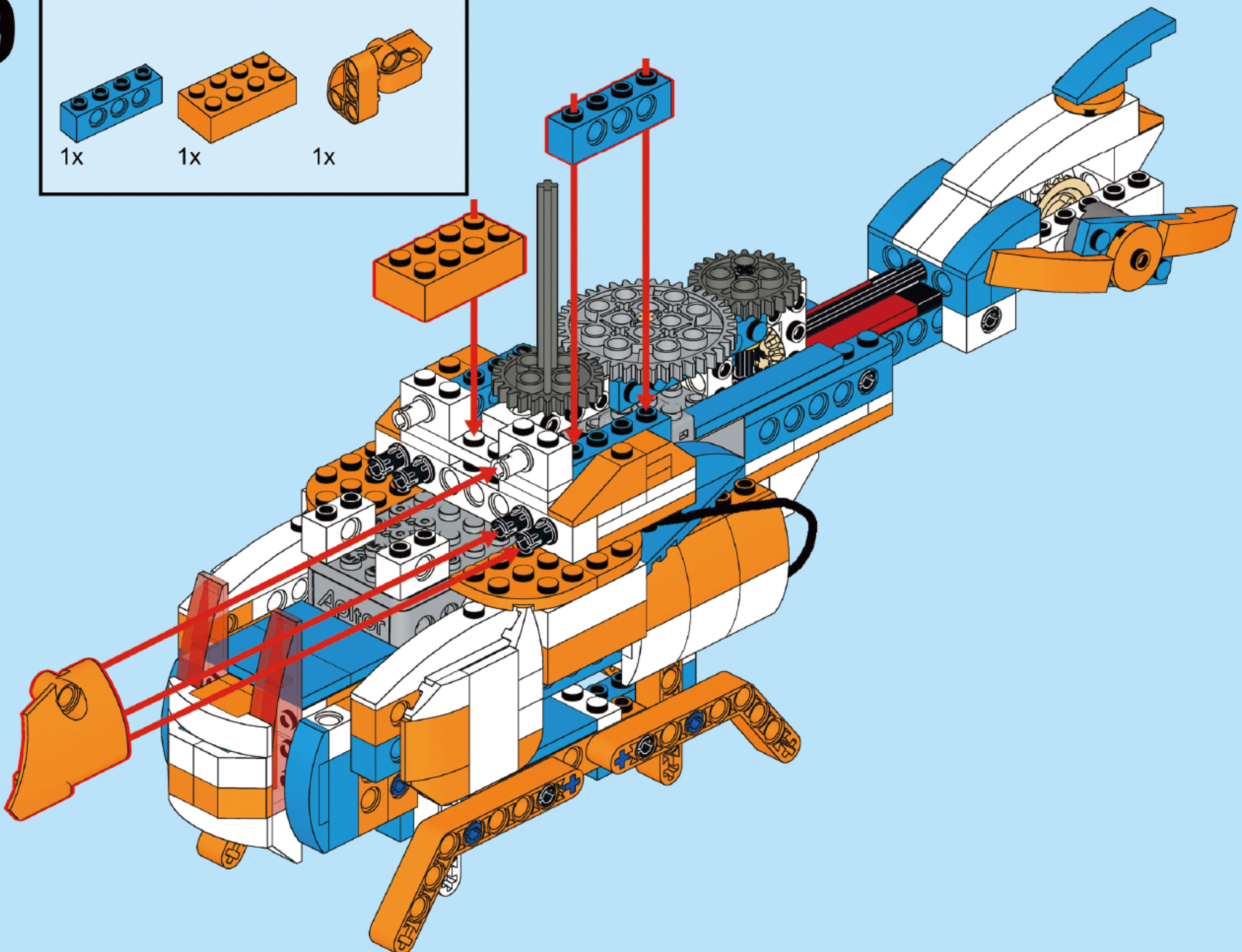
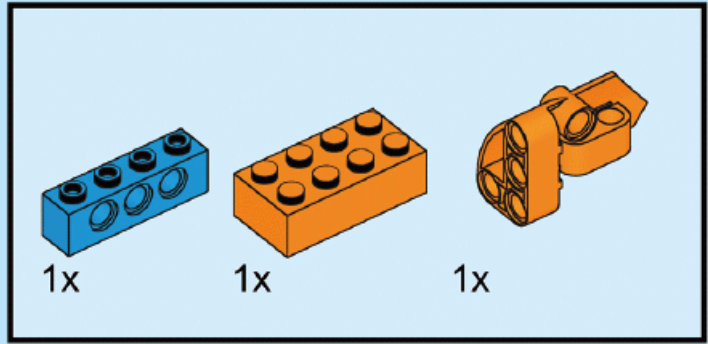




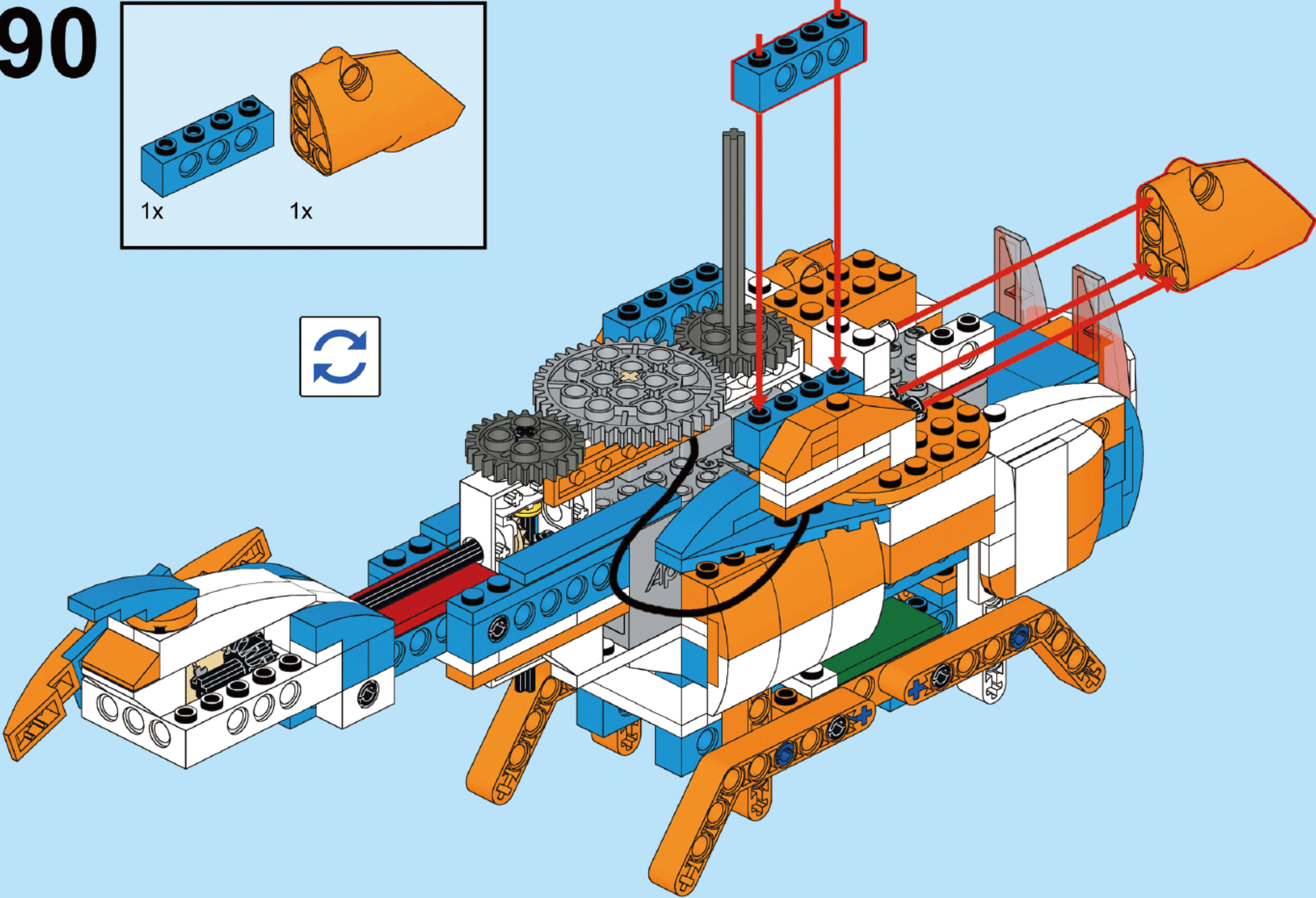
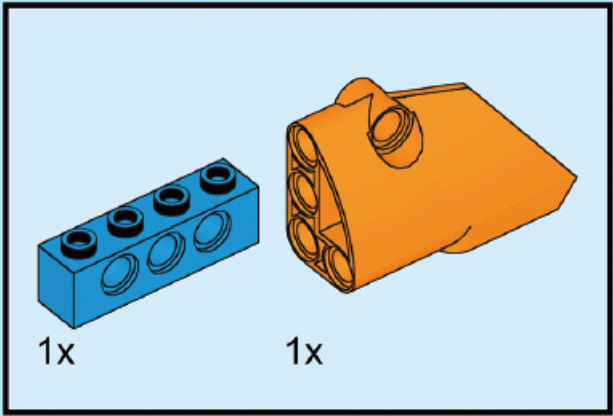
88







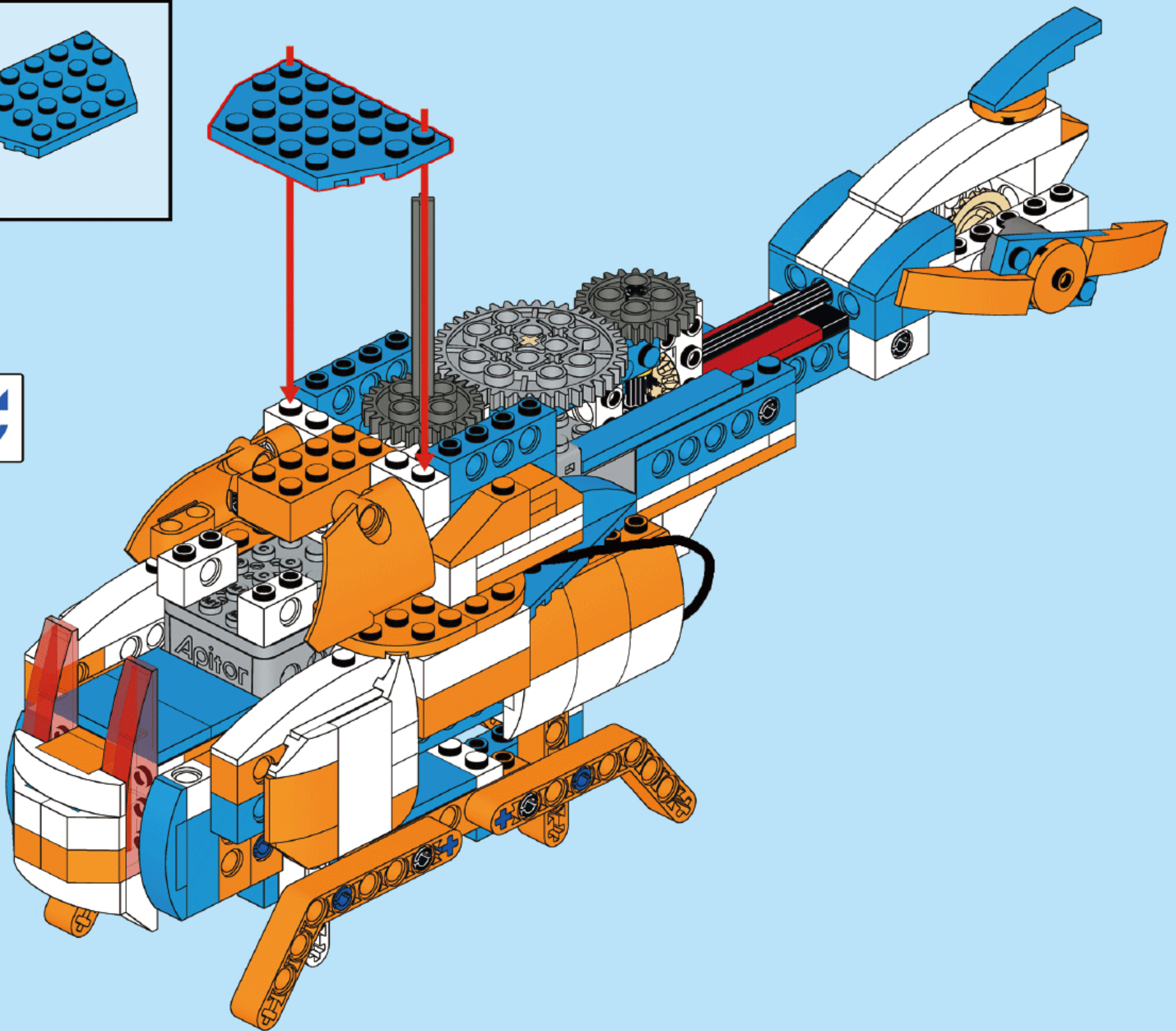
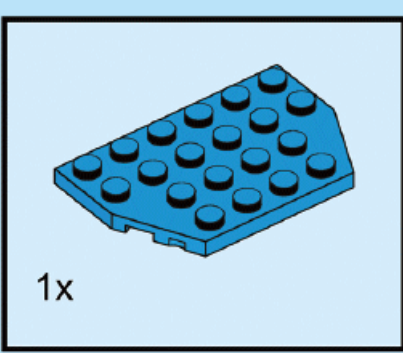
# 90



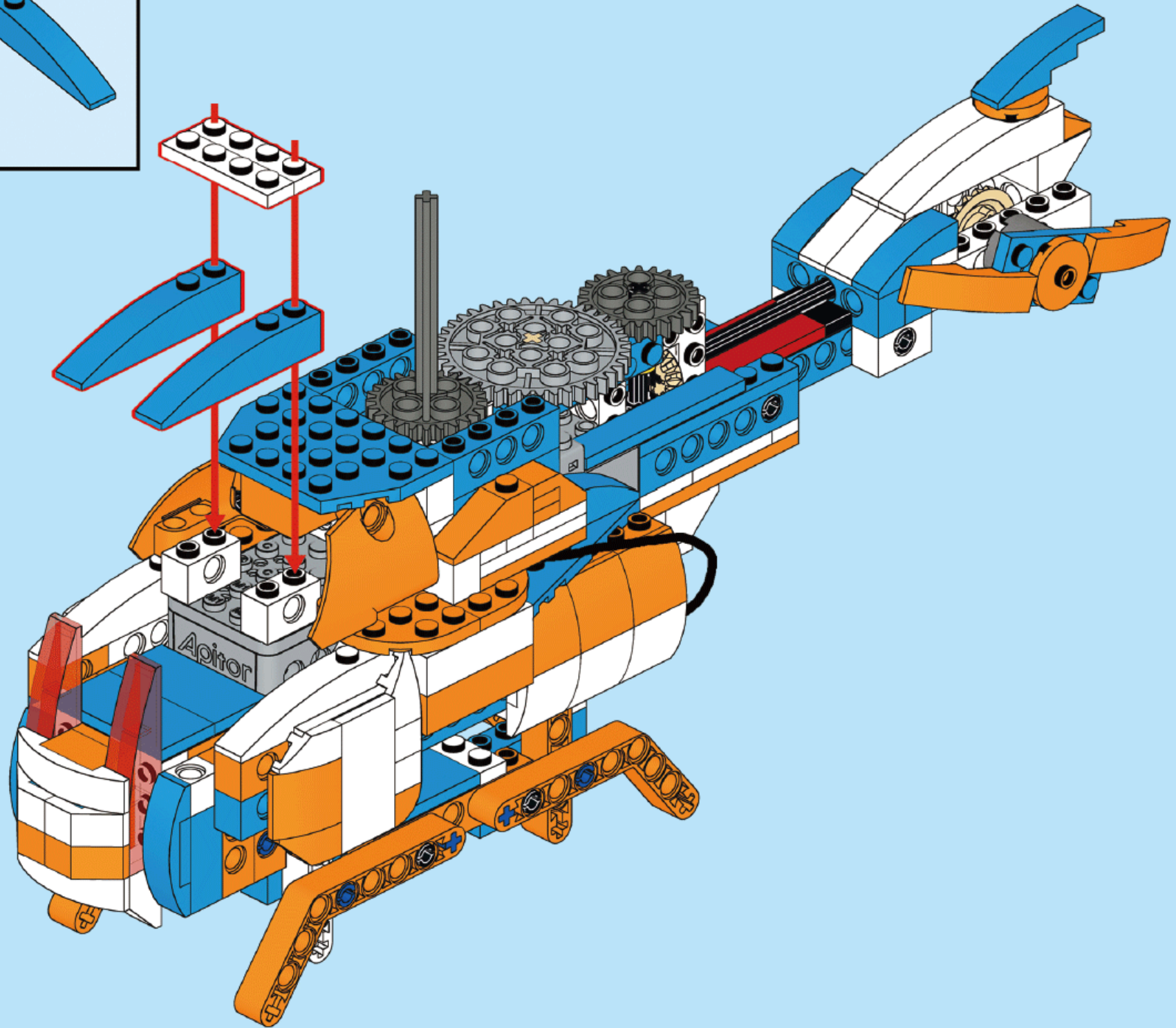
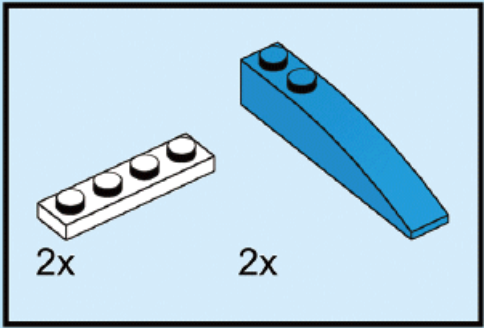


# 91

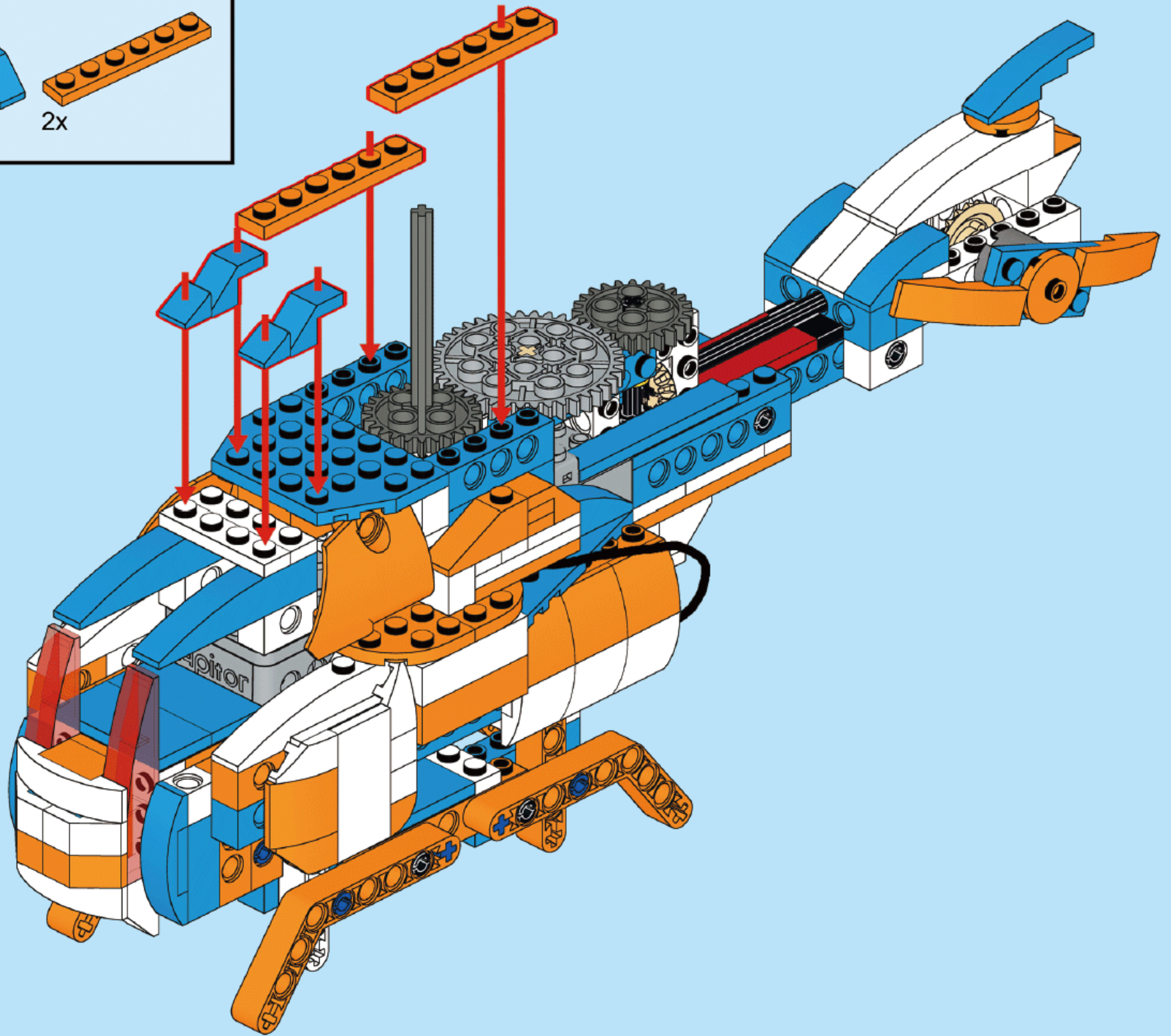
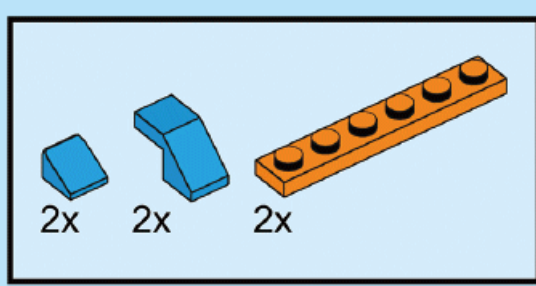
1x





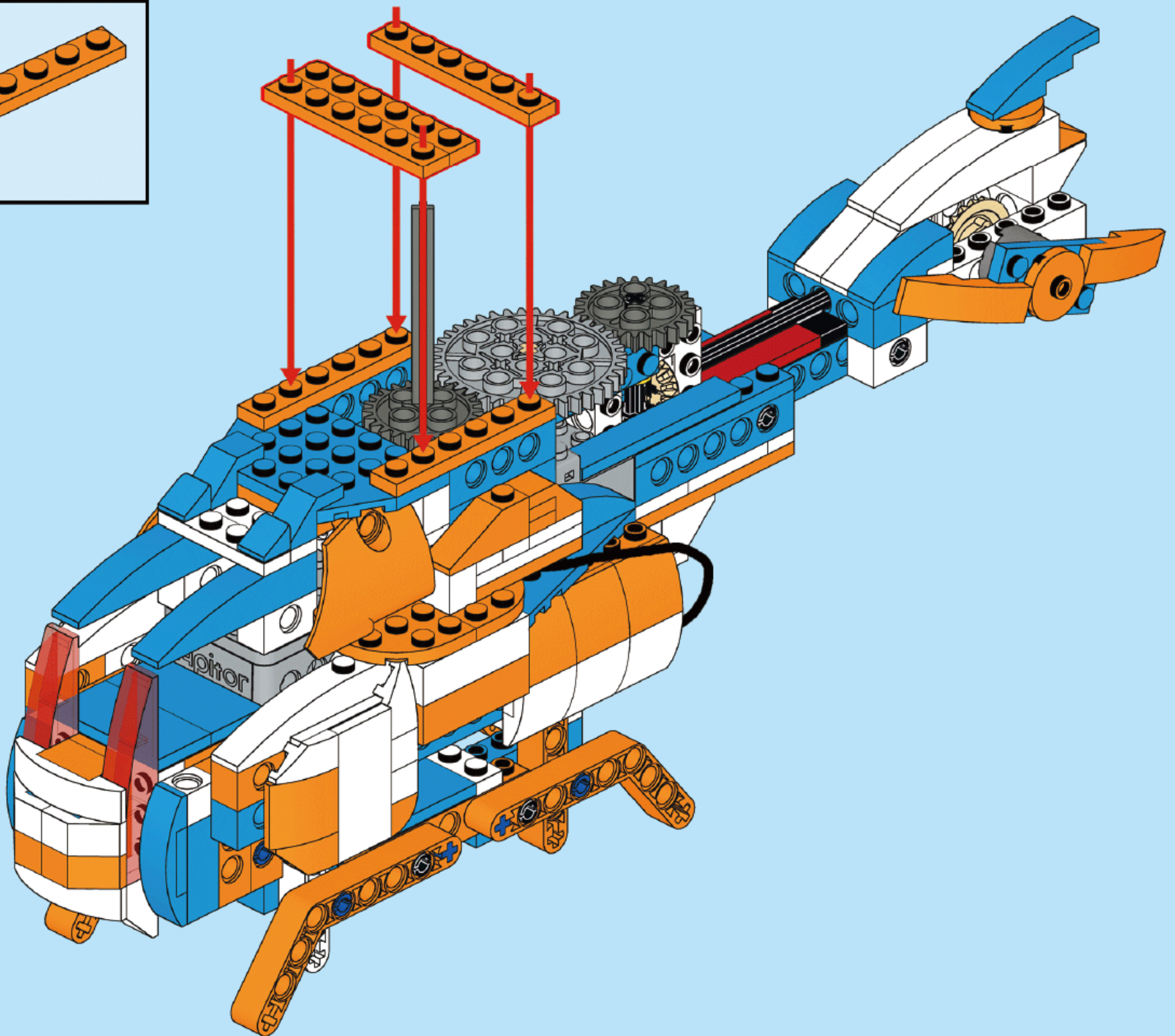
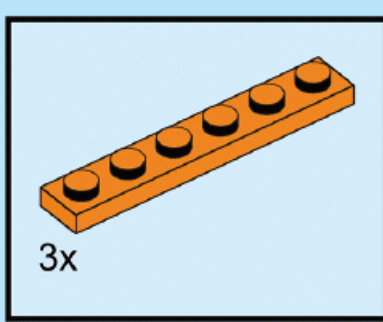


# 93



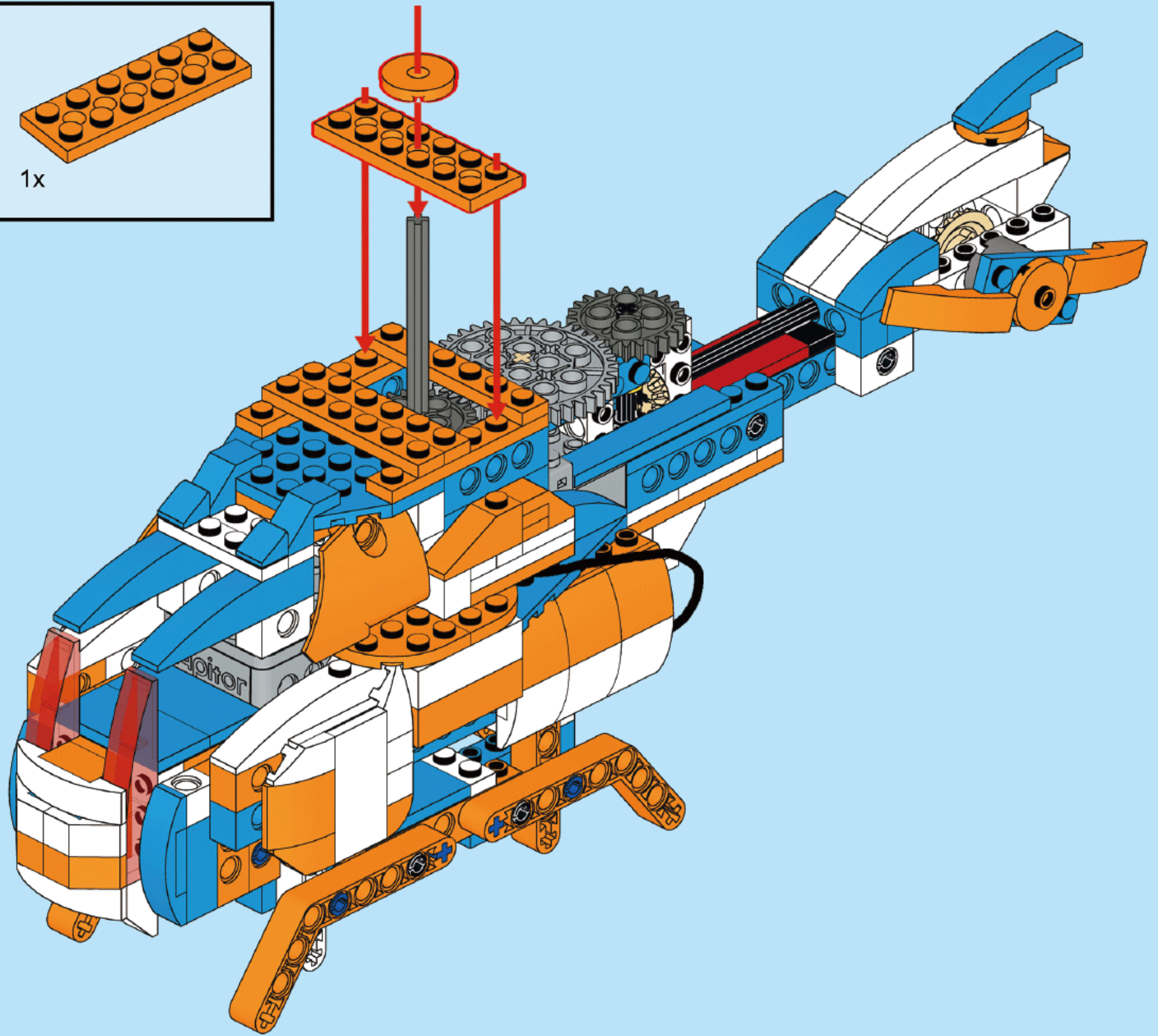
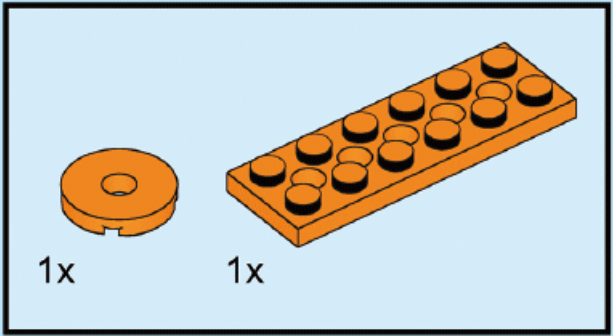


# 94

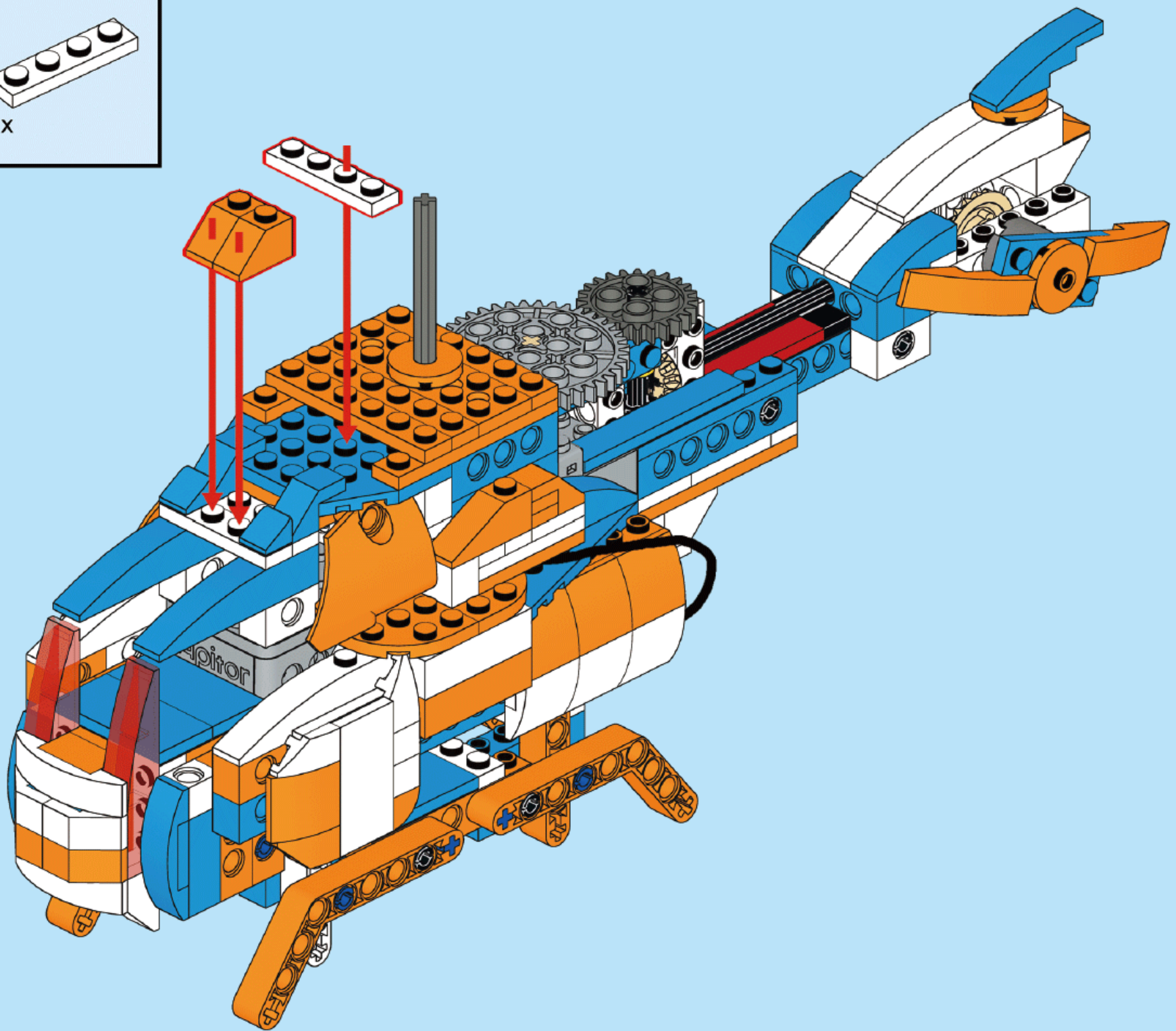
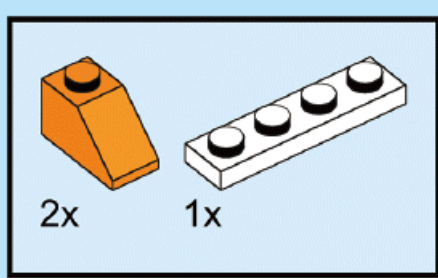




# 95



# 96

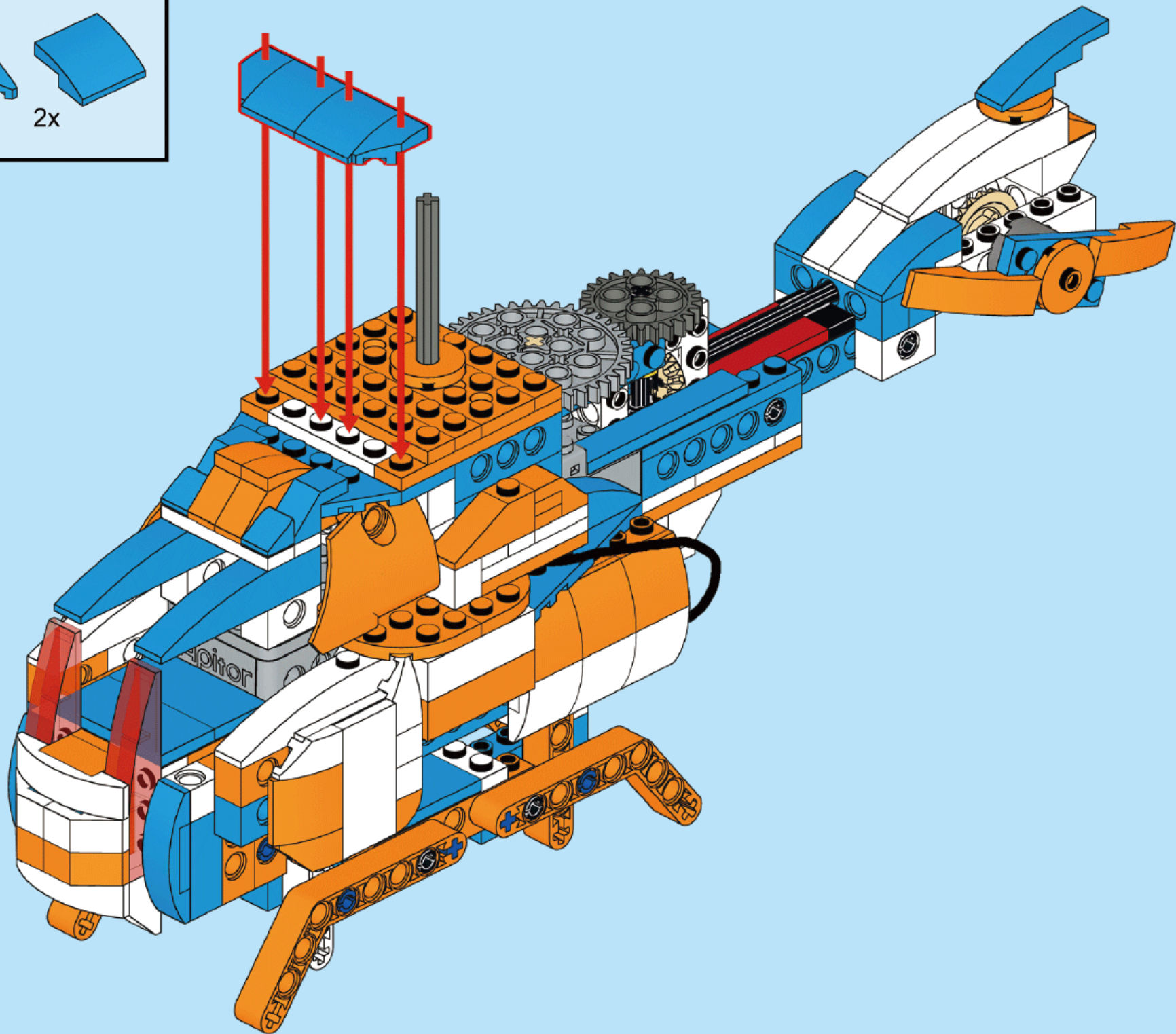
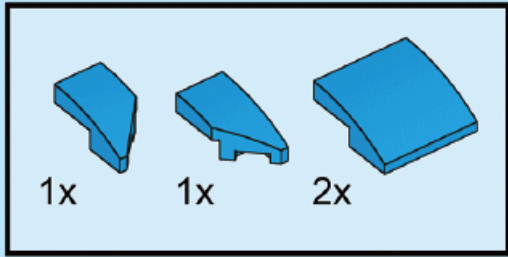




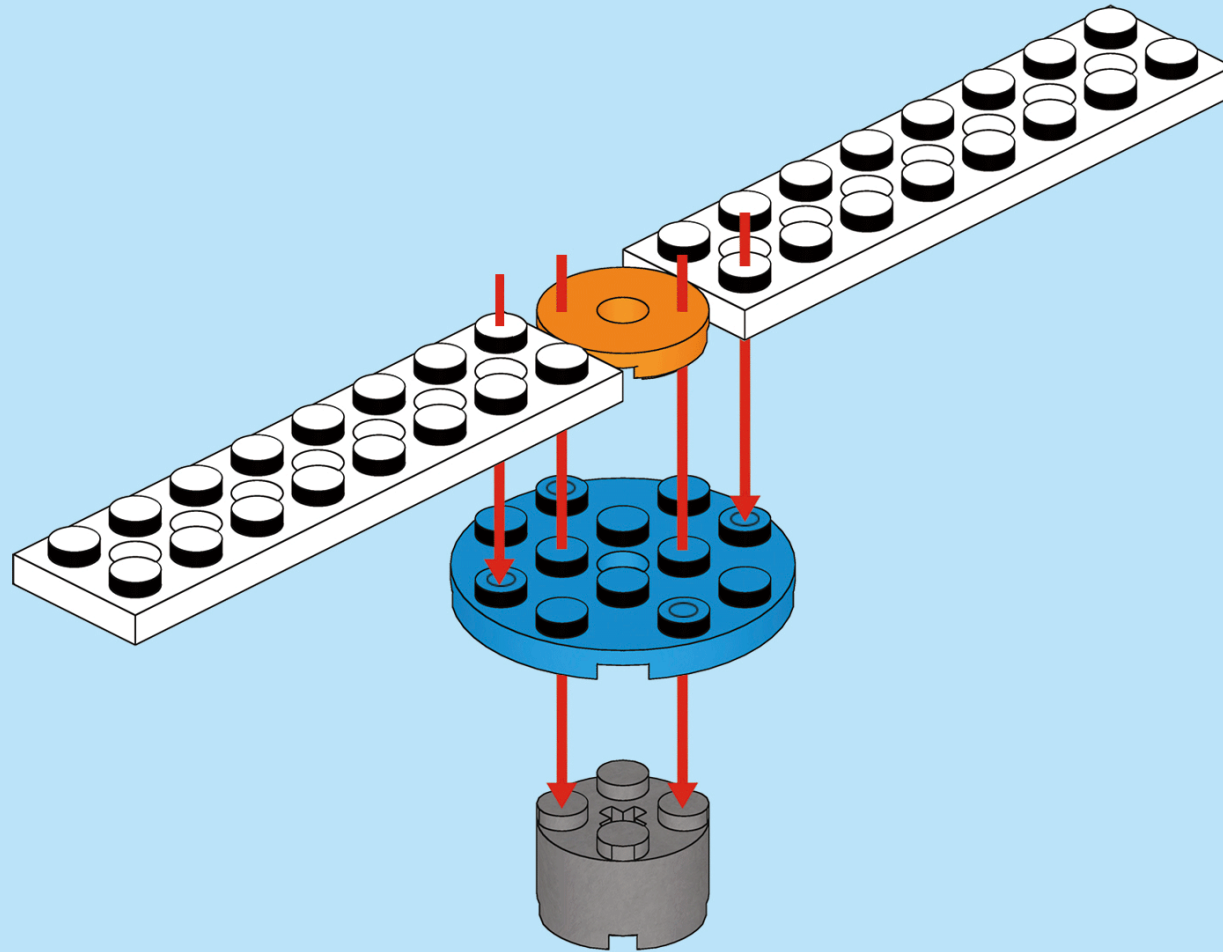
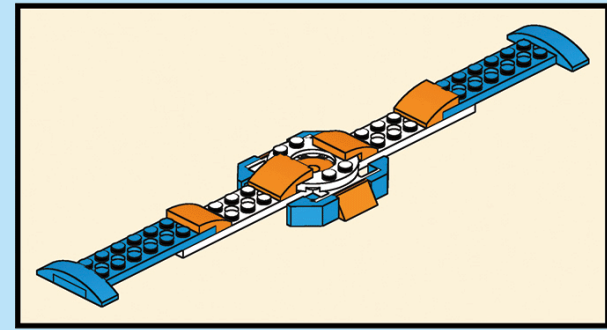
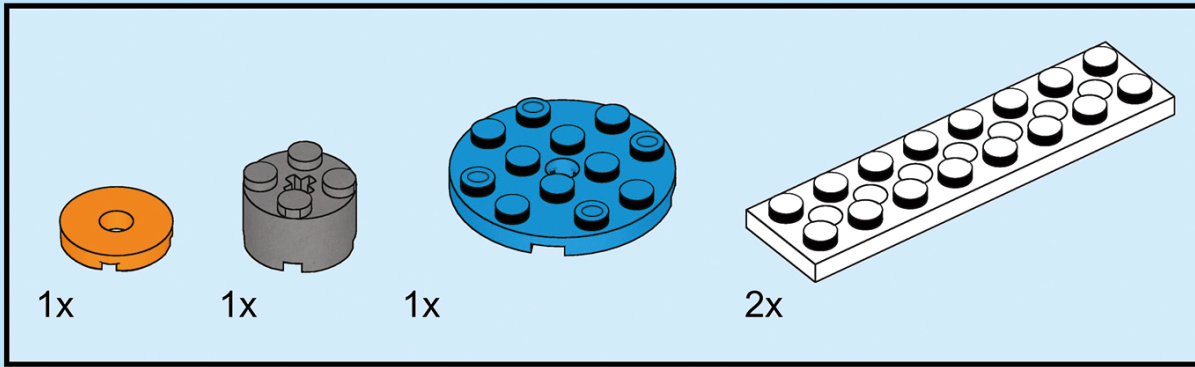




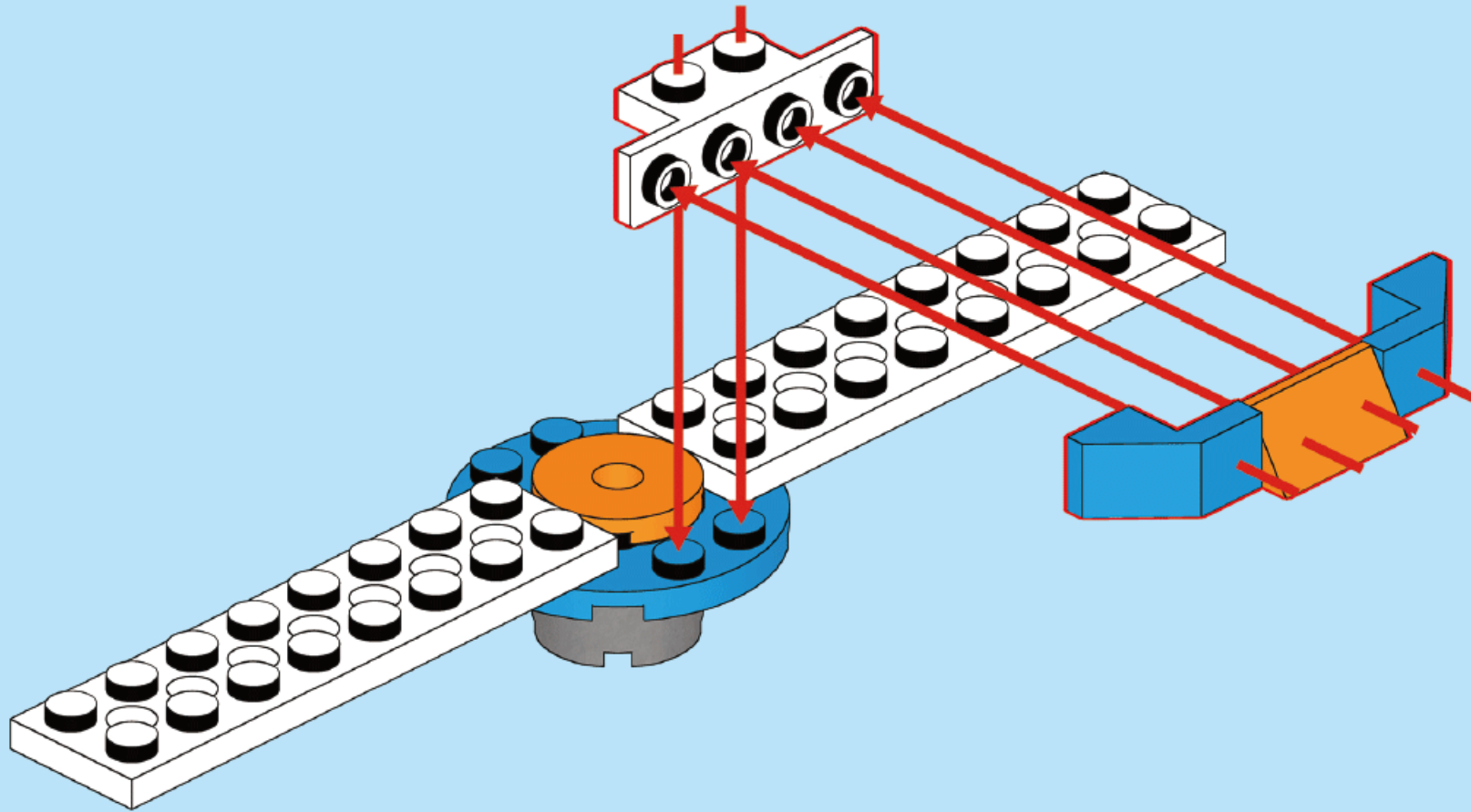
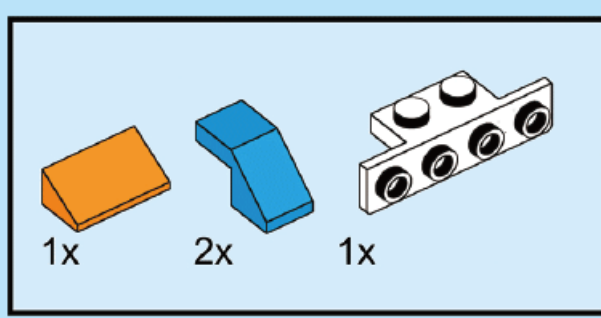
# 98



# 99

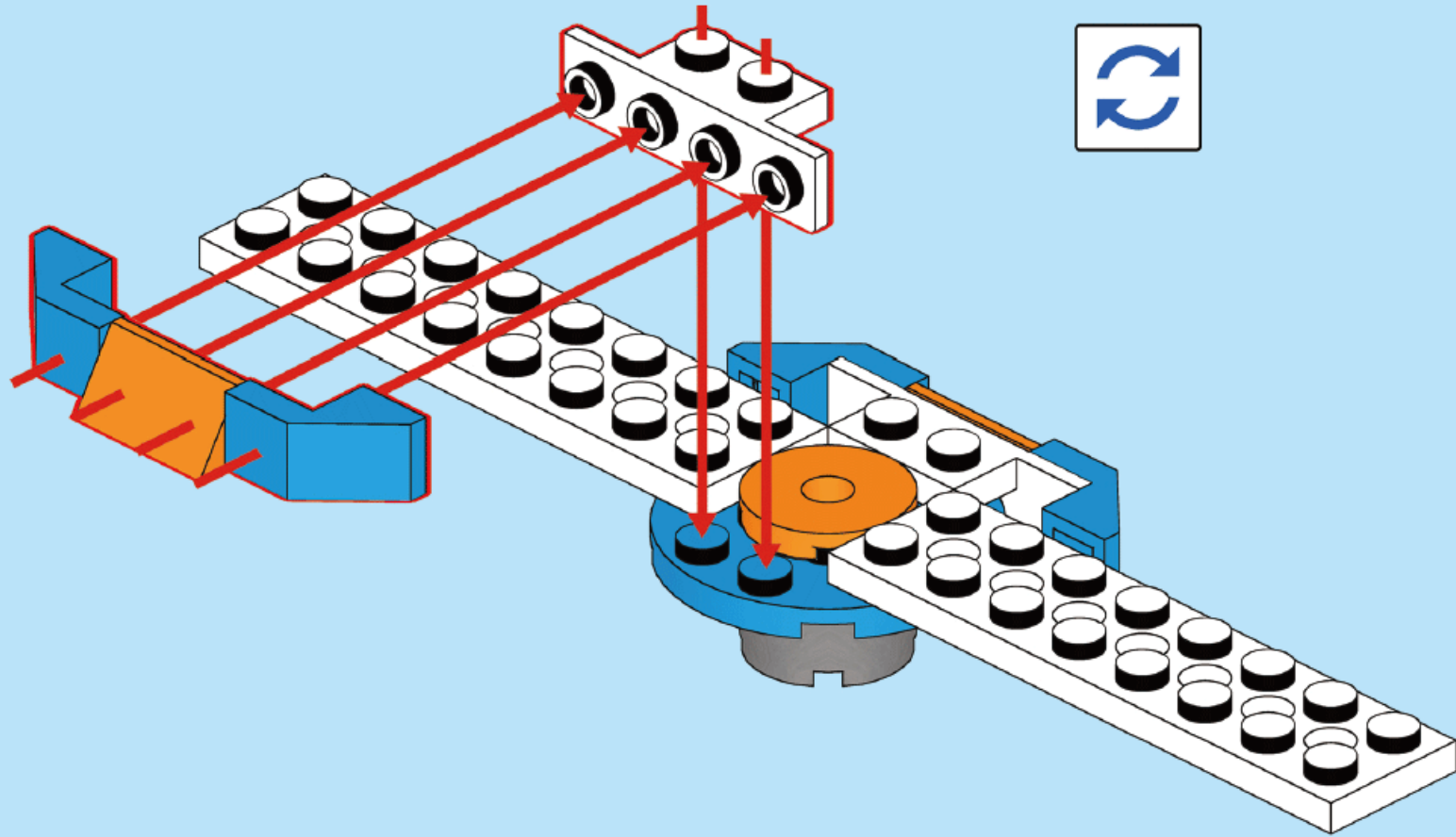
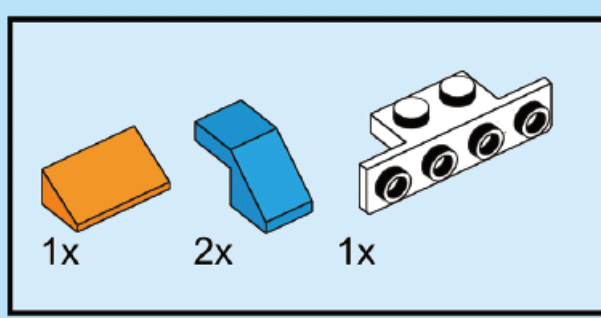


# 100

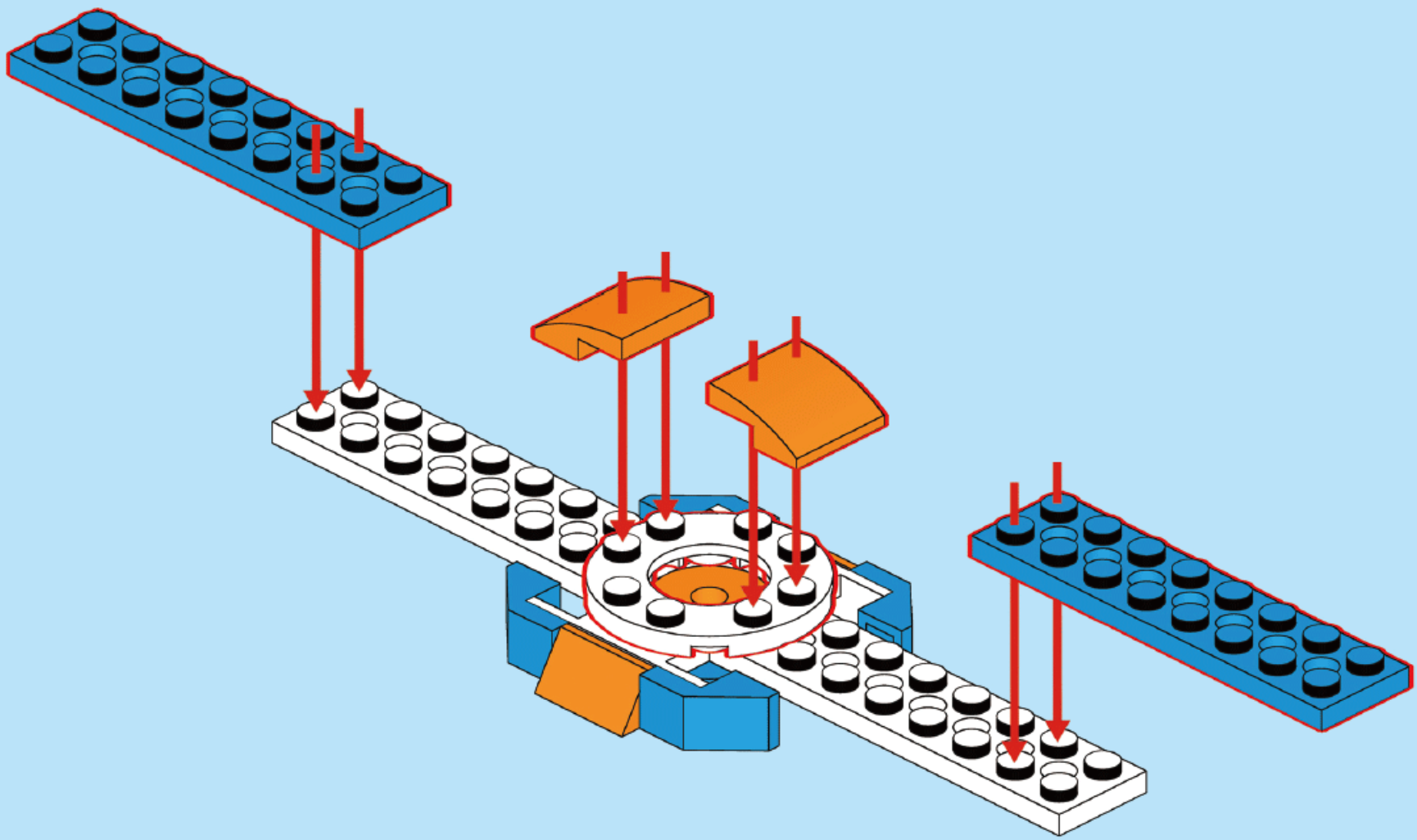
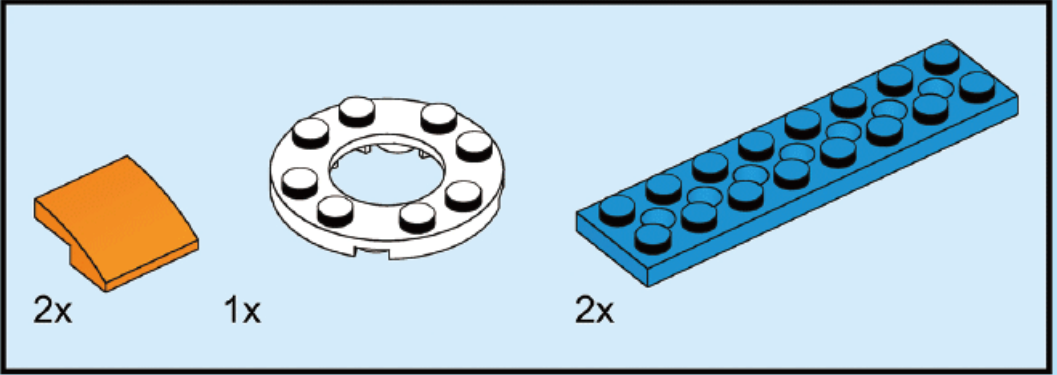




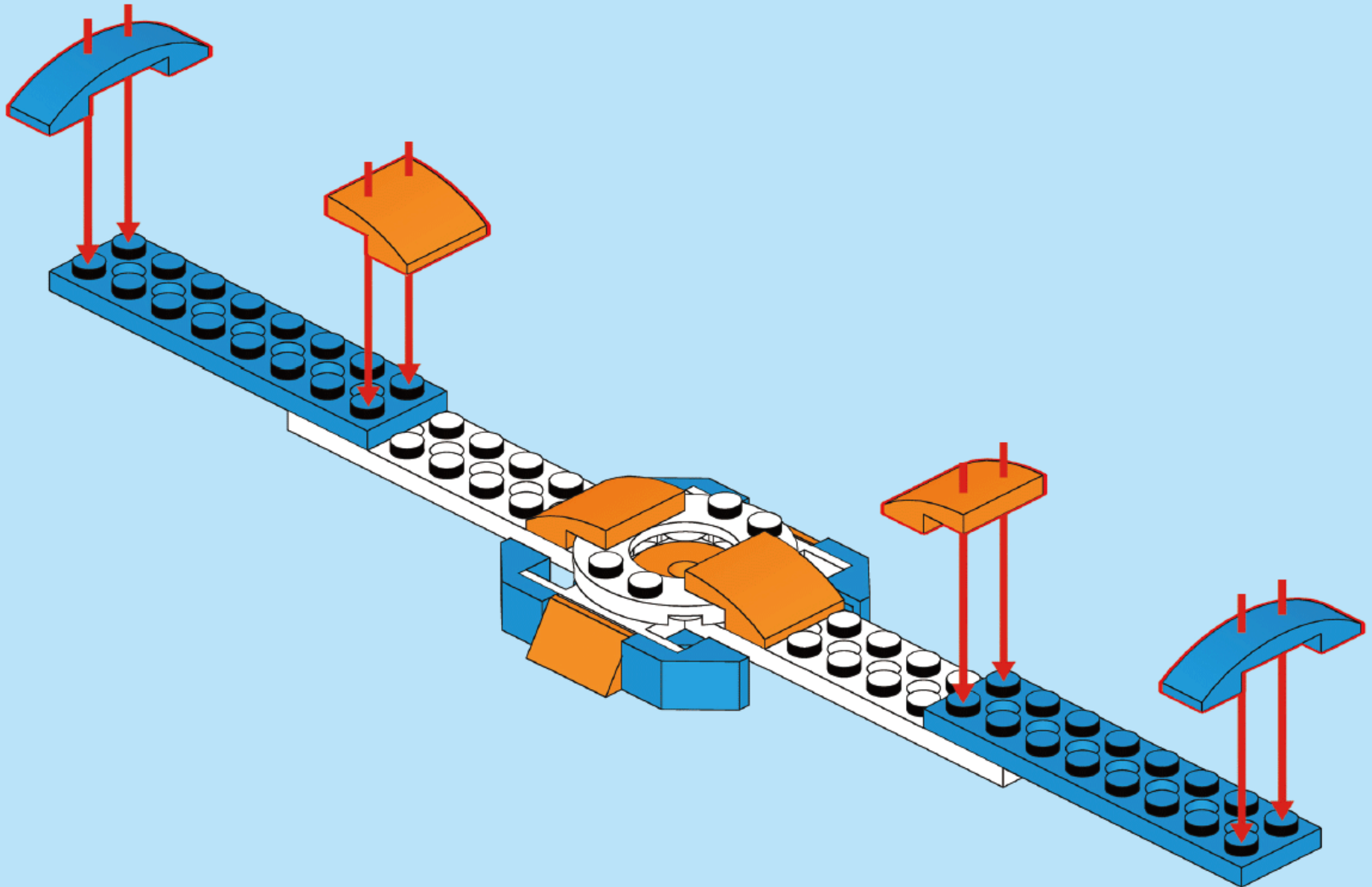
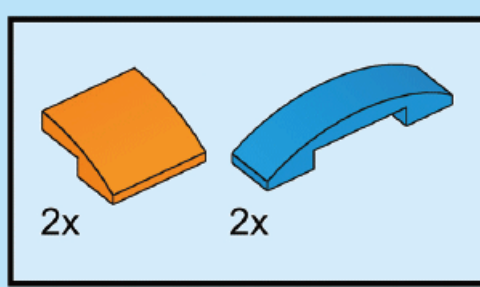
# 101



# 102

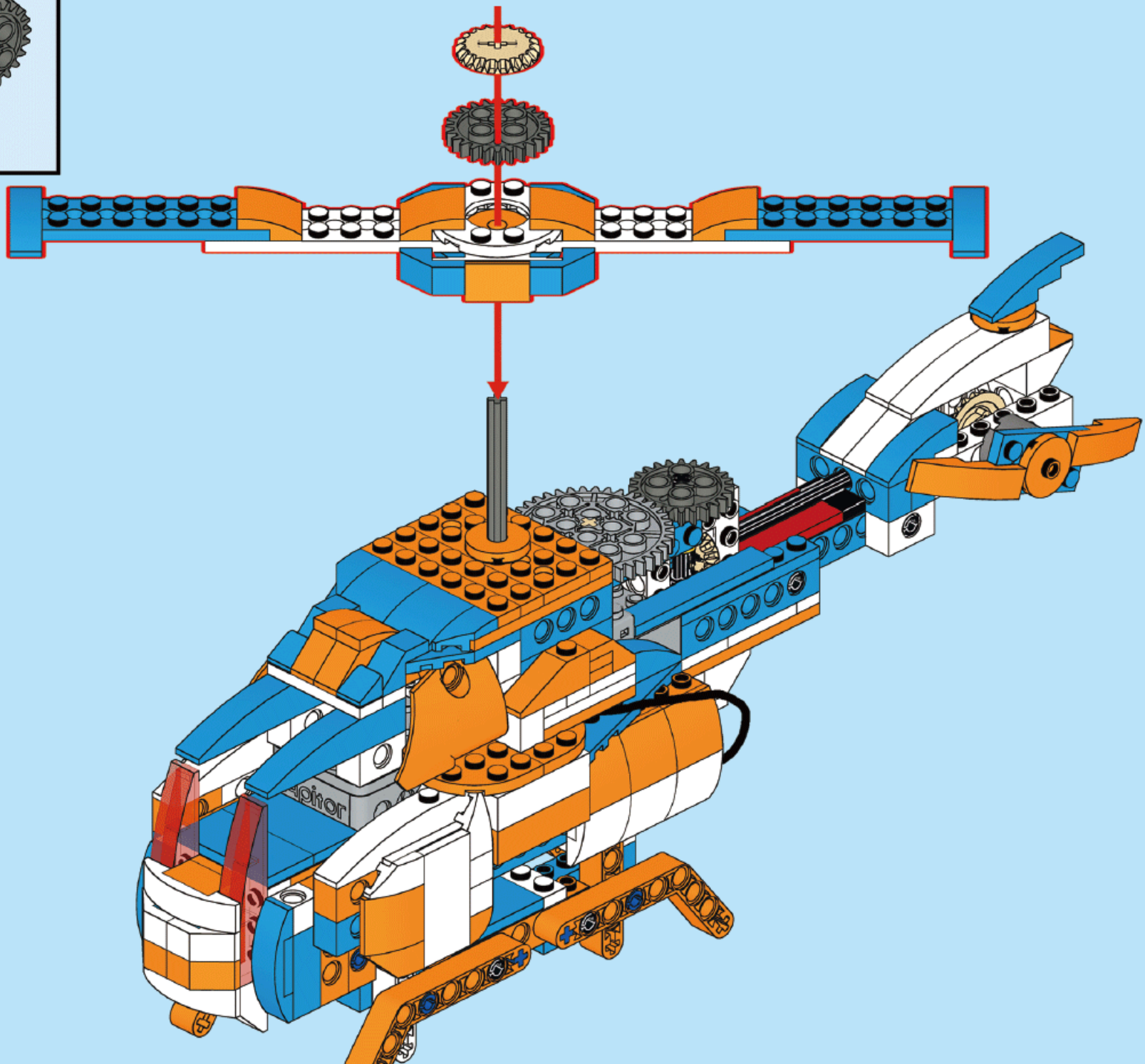
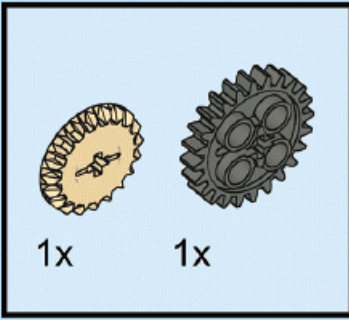


# 103





# 104



# 105

